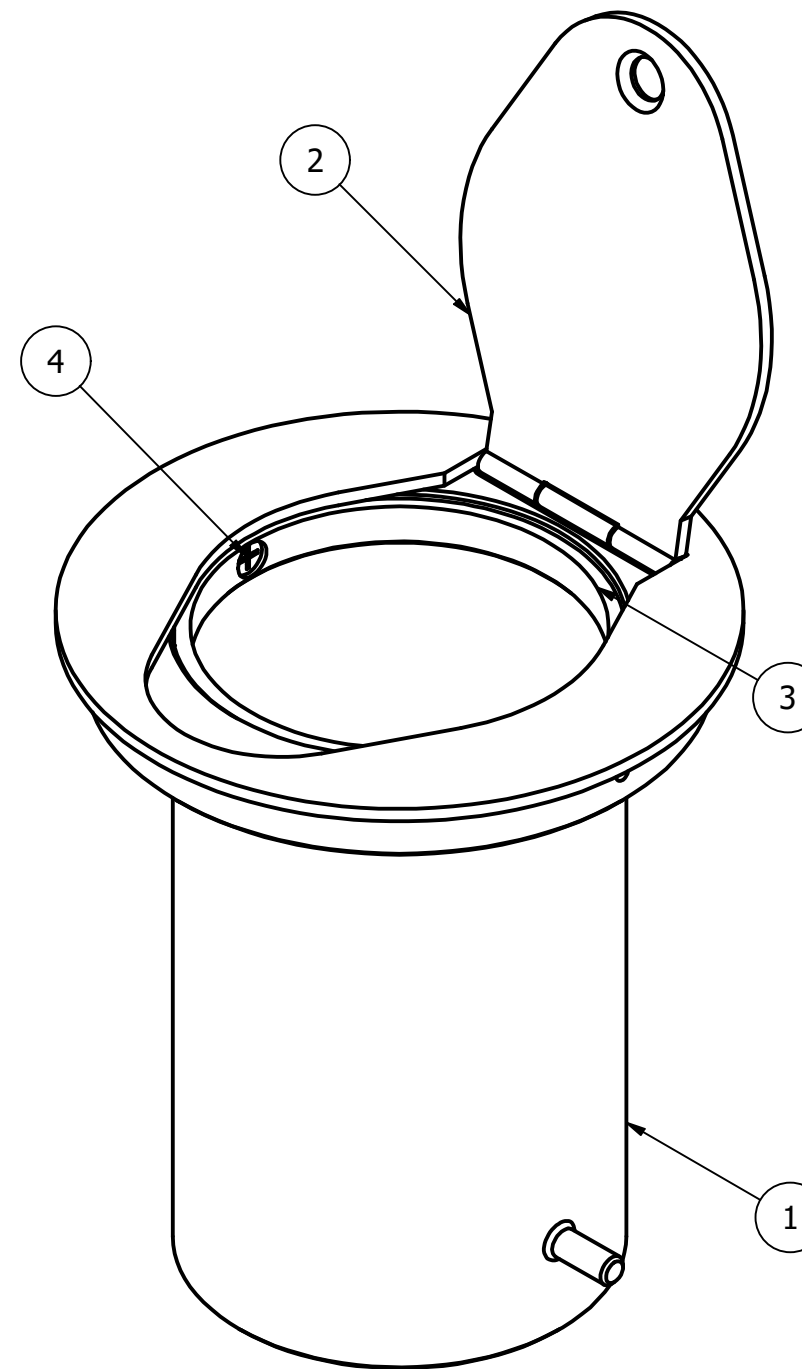
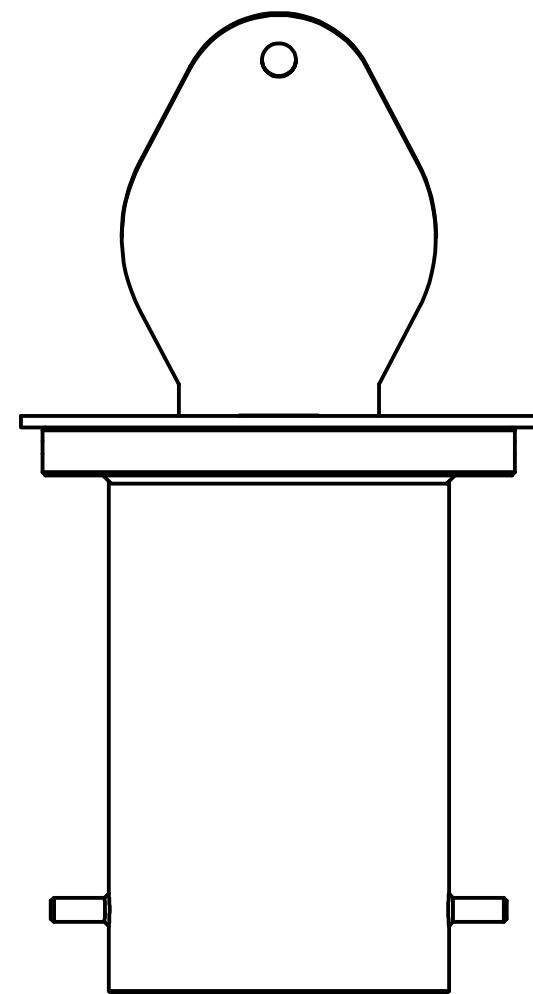
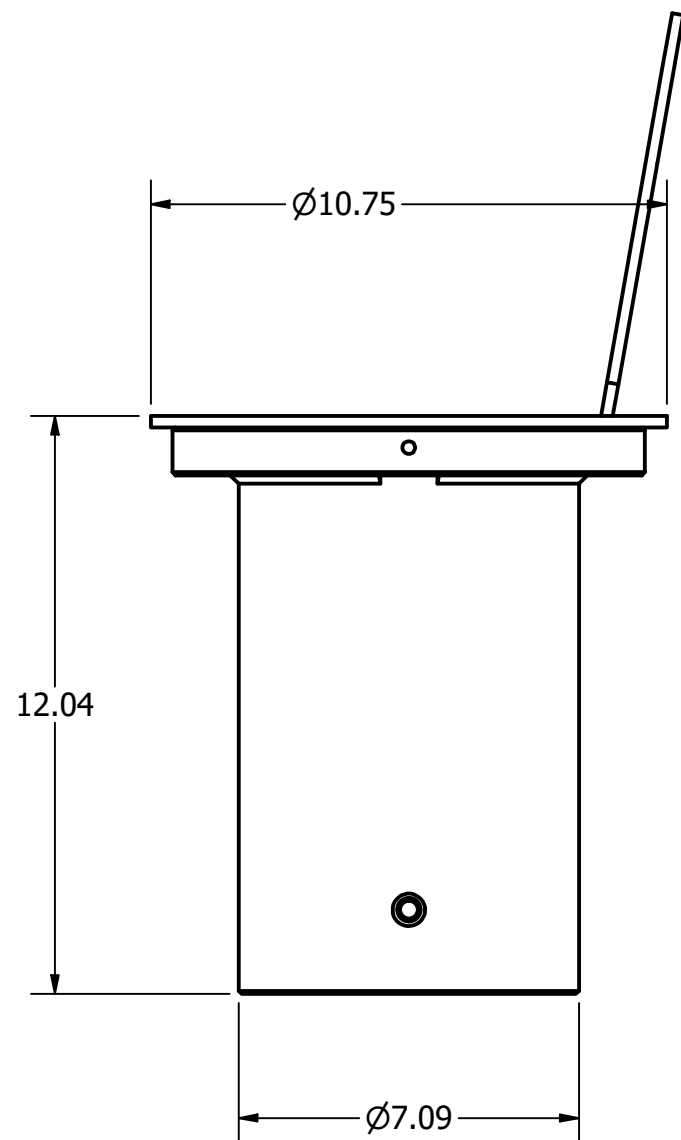
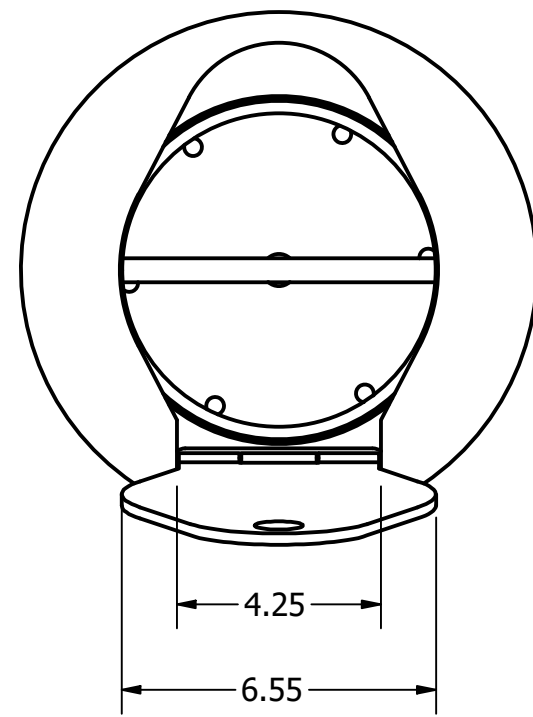


Bollard Receiver w/ Hinged Lid



General Description:

R-7911-R Removable Receivers with Hinged Lids are made to accommodate Reliance Foundry's R-7911 and R-7912 posts with a 6-1/2" diameter. Lidded receivers close flush to prevent obstruction and swing open to allow bollards to be inserted. Once installed, bollards are padlocked to open lids to prevent tampering and theft. Standard mountings feature galvanized steel receivers with stainless steel lid. Padlocks sold separately.

Specifications:

Height: 12"
 Base Diameter: 7 1/8"
 Cover Diameter: 10 3/4"
 Weight: 36 lbs
 Material: Galvanized Steel Receiver Body
 Stainless Steel Receiver Cover
 Max. Interior Security Post Size:
 Diameter: 6 7/16"

Finish Options:

☉ Galvanized, with stainless steel cover

See Reliance Foundry's standard color options at:
www.reliance-foundry.com/bollard/colors-bollards

Notes:

- Embedment details are for reference illustration only. Minimum foundation sizes depend on local soil conditions, weather conditions, and engineering requirements.
- Bollard post is provided as shown, with material detailed in legend below. Concrete, foundation and/or installation ordered separately or provided by others.
- This drawing is not drawn to scale. Dimensions provided herein is for reference only. Please consult Reliance Foundry sales professionals if any dimension is critical to your particular installation.
- Reliance Foundry reserves the right to amend design and specifications without prior notice for product improvement.

PARTS LIST					
ITEM	QTY	PART NUMBER	DESCRIPTION	MATERIAL	WEIGHT
1	1	Receiver Body	Receiver Body	Galvanized Steel	28 lbs
2	1	Receiver Cover	Receiver Cover with Hinged Lid	Stainless Steel	7 lbs
3	1	Receiver Bushing	ABS Plastic Receiver Bushing	ABS	1 lbs
4	2	Flat Head Screw	Flat Head Recessed Screw	Stainless Steel	

RELIANCE FOUNDRY
 SINCE 1925

Unit 207, 6450 - 148 Street, Surrey, BC V3S 7G7, Canada
 1-877-789-3245 info@reliance-foundry.com
www.reliance-foundry.com

TITLE			
Bollard Receiver w/ Hinged Lid			
SIZE	DWG NO	REV	
C	R-7911-R	A1	