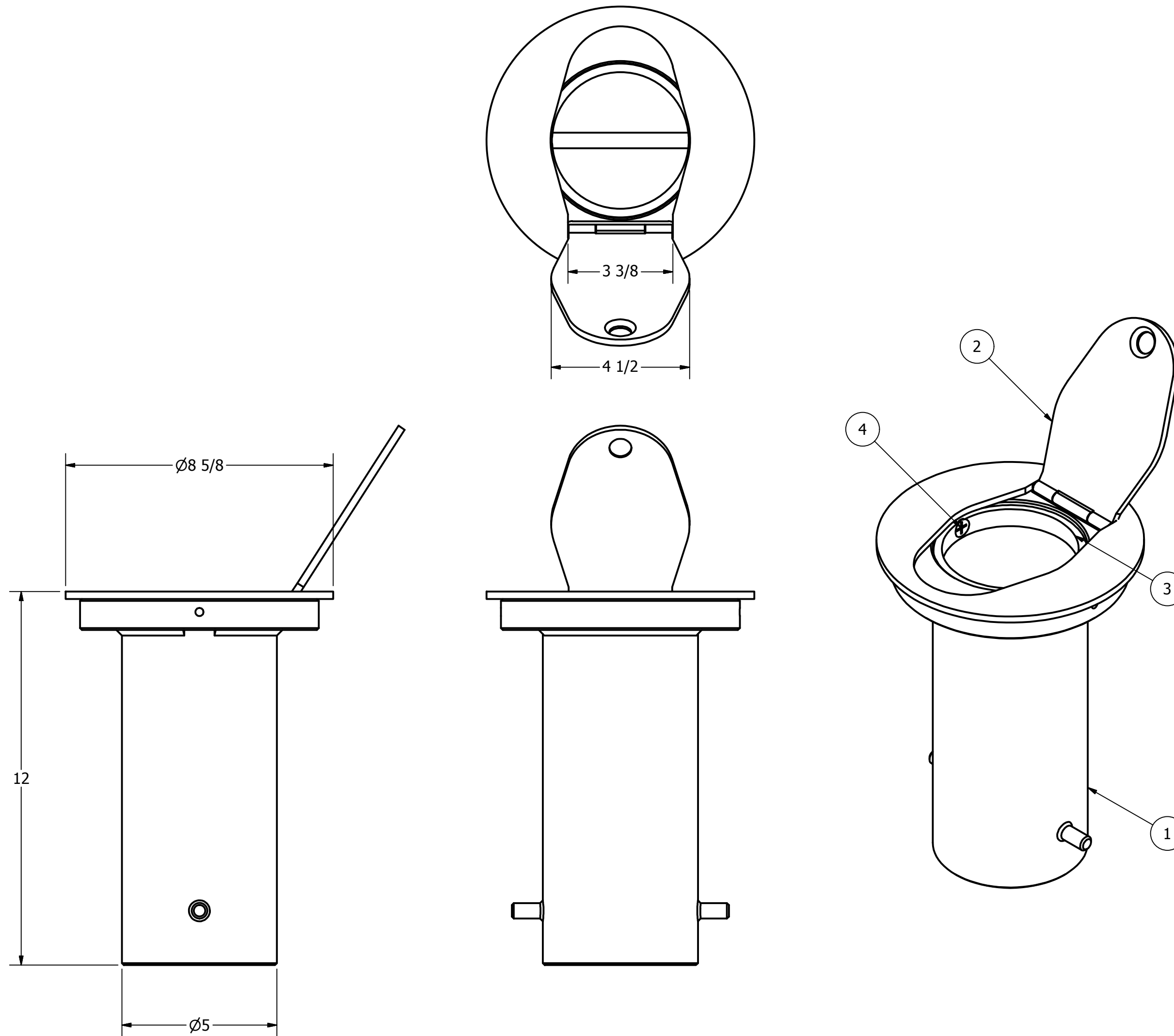


Removable Bollard Receiver with Hinged Lid (Stainless Steel)



General Description:

Removable bollard receivers with hinged lids accommodate all Reliance Foundry R-79xx and R-89xx posts. Lidded receivers close flush to prevent obstruction and swing open to allow bollards to be inserted. Once installed, bollards are padlocked to open lids to prevent tampering and theft. Use removable mountings for multi-use spaces with a variety of day-to-day or seasonal applications. Hinged-lid mountings feature stainless steel housing and lid. Galvanized steel housings are also available. NOTE: Padlocks sold separately.

For more information on bollard post installation, please visit: <http://www.reliance-foundry.com/bollard/installation-bollards>

Specifications:

Height: 12"

Base Diameter: 5"

Cover Diameter: 8-5/8"

Weight: 24 lbs (Receiver with Cover Only)

Material: Stainless Steel

Max. Interior Security Post Size:
Diameter: 4-5/16"

Finish Options:

- ✓ Stainless Steel
- See Reliance Foundry's standard color options at <http://www.reliance-foundry.com/bollard/colors-bollards>
-

Notes:

- Embedment details are for reference illustration only. Minimum foundation sizes depend on local soil conditions, weather conditions, and engineering requirements.
- Bollard post is provided as shown, with material detailed in legend below. Concrete, foundation and/or installation ordered separately or provided by others.
- This drawing is not drawn to scale. Dimensions provided herein is for reference only. Please consult Reliance Foundry sales professionals if any dimension is critical to your particular installation.
- Reliance Foundry reserves the right to amend design and specifications without prior notice for product improvement.

PARTS LIST					
ITEM	QTY	PART NUMBER	DESCRIPTION	MATERIAL	WEIGHT
1	1	Receiver Body	Receiver Body	Stainless Steel	20 lbs
2	1	Receiver Cover	Receiver Cover with Hinged Lid	Stainless Steel	4 lbs
3	1	Receiver Bushing	ABS Plastic Receiver Bushing	ABS	
4	2	Flat Head Screw	Flat Head Recessed Screw	Stainless Steel	



Unit 207, 6450 - 148 Street, Surrey, BC V3S 7G7, Canada
1-888-735-5680 info@reliance-foundry.com
<http://www.reliance-foundry.com>

TITLE			
Removable Bollard Receiver with Hinged Lid (Stainless Steel)			
SIZE	DWG NO	REV	
C	0218-0	B	
NOT TO SCALE	SHEET 1 OF 1		