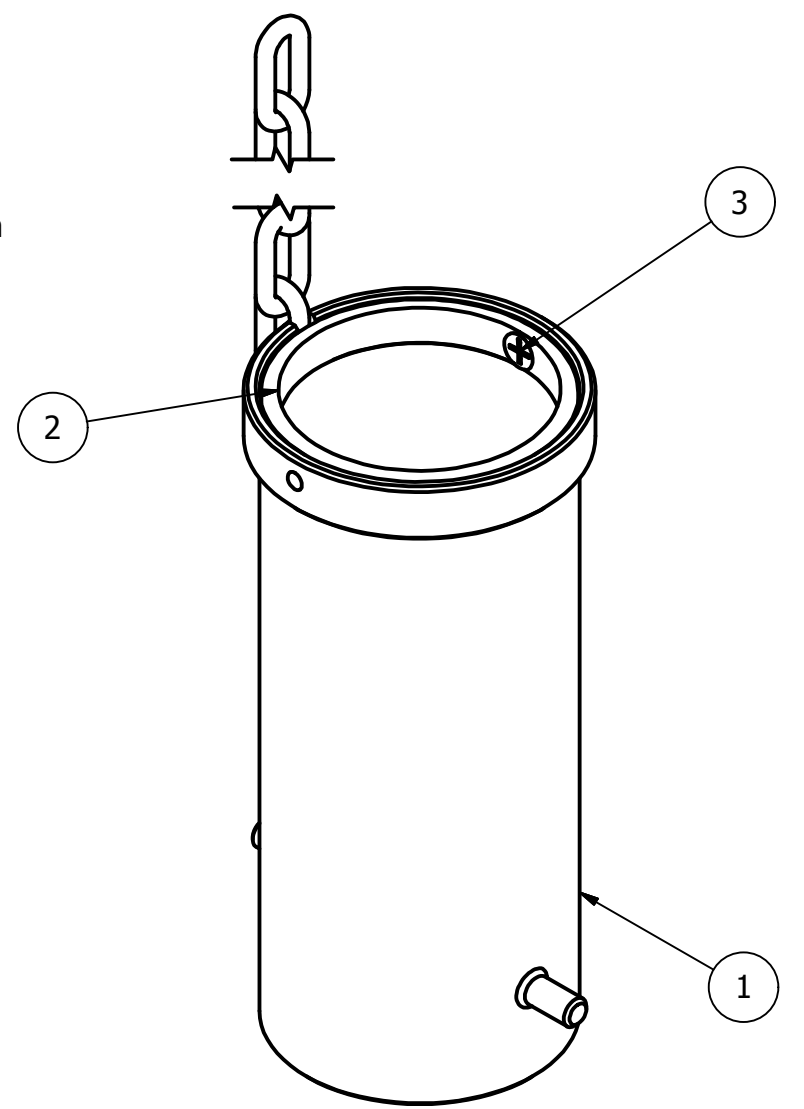
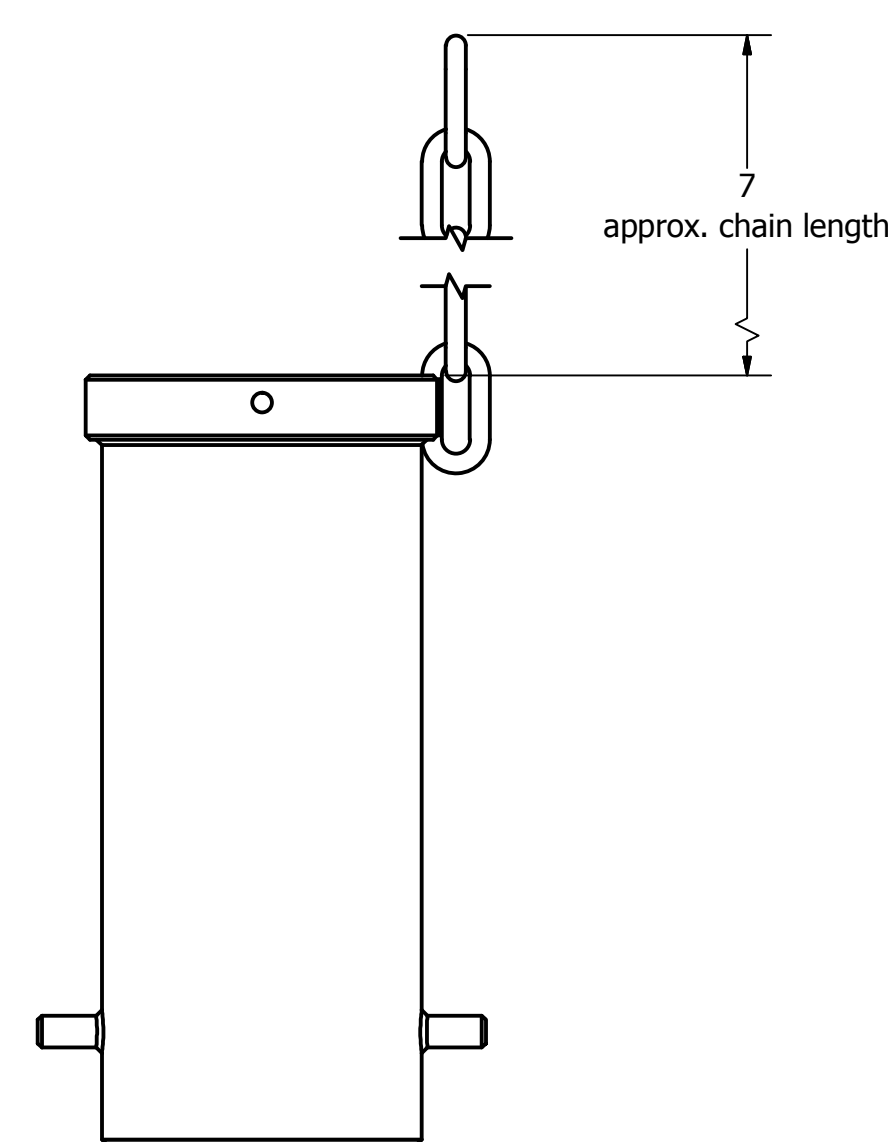
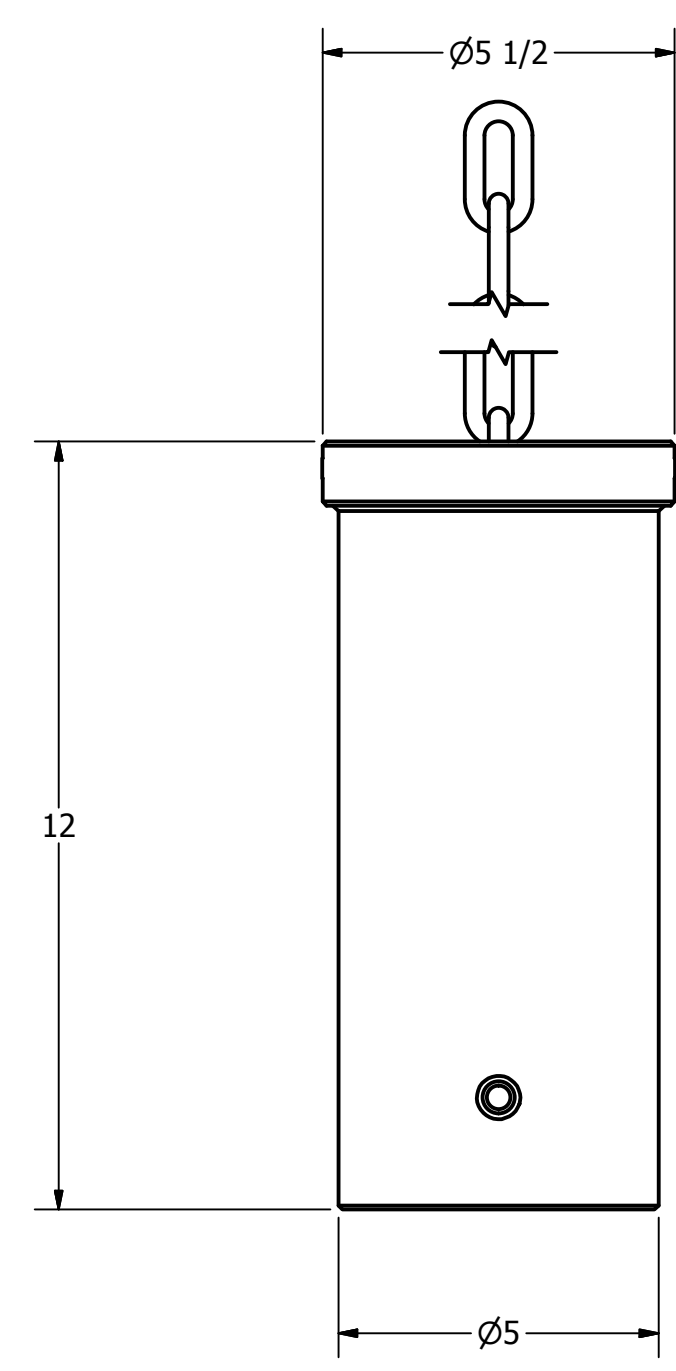
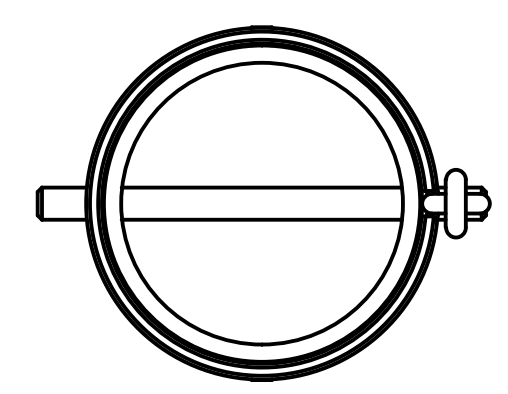


Removable Bollard Receiver with Securing Chain (Stainless Steel)



General Description:

Removable bollard receivers with securing chains accommodate all Reliance Foundry R-79xx and R-89xx posts. Use padlocked chains to fasten bollards. When bollards are removed, chains can be stored inside receivers and concealed with a protective cover to prevent tripping or obstruction. Use removable mountings for multi-use spaces with a variety of day-to-day or seasonal applications. Mountings feature stainless steel components. Galvanized steel housings are also available. NOTE: Covers and padlocks are sold separately.

For more information on bollard post installation, please visit: <http://www.reliance-foundry.com/bollard/installation-bollards>

Specifications:

- Height: 12"
- Base Diameter: 5"
- Cover Diameter: 5-1/2"
- Weight: 24 lbs (Receiver with Chain Only)
(1.5 lbs Stainless Steel Receiver Cover Optional)
- Material: Stainless Steel Receiver Body
(Stainless Steel Receiver Cover Optional)
- Max. Interior Security Post Size:
Diameter: 4-5/16"

- Finish Options:
- ✓ Stainless Steel (Stainless Steel Cover Optional)
- See Reliance Foundry's standard color options at <http://www.reliance-foundry.com/bollard/colors-bollards>

Notes:

- Embedment details are for reference illustration only. Minimum foundation sizes depend on local soil conditions, weather conditions, and engineering requirements.
- Bollard post is provided as shown, with material detailed in legend below. Concrete, foundation and/or installation ordered separately or provided by others.
- This drawing is not drawn to scale. Dimensions provided herein is for reference only. Please consult Reliance Foundry sales professionals if any dimension is critical to your particular installation.
- Reliance Foundry reserves the right to amend design and specifications without prior notice for product improvement.

PARTS LIST					
ITEM	QTY	PART NUMBER	DESCRIPTION	MATERIAL	WEIGHT
1	1	Receiver Body	Receiver Body	Stainless Steel	24 lbs
2	1	Receiver Bushing	ABS Plastic Receiver Bushing	ABS	
3	2	Flat Head Screw	Flat Head Recessed Screw	Stainless Steel	



Unit 207, 6450 - 148 Street, Surrey, BC V3S 7G7, Canada
1-888-735-5680 info@reliance-foundry.com
<http://www.reliance-foundry.com>

TITLE			
Removable Bollard Receiver with Securing Chain (Stainless Steel)			
SIZE	DWG NO	REV	
C	0218-0B	B	
NOT TO SCALE		SHEET 1 OF 1	