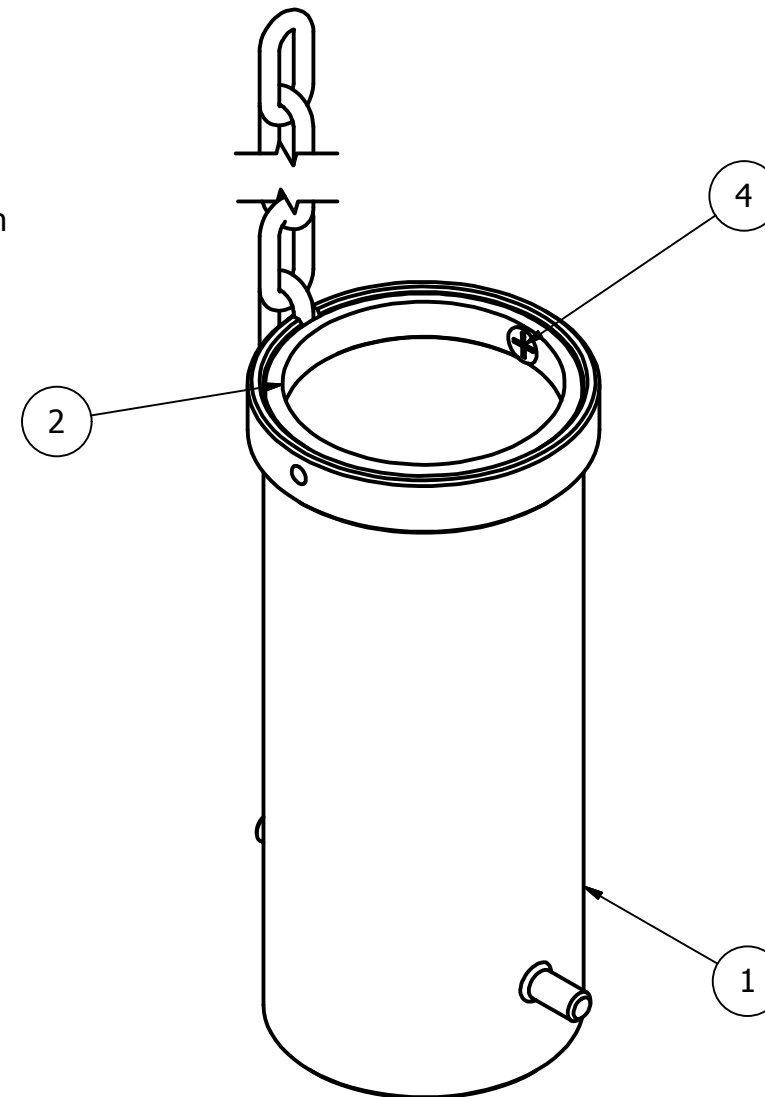
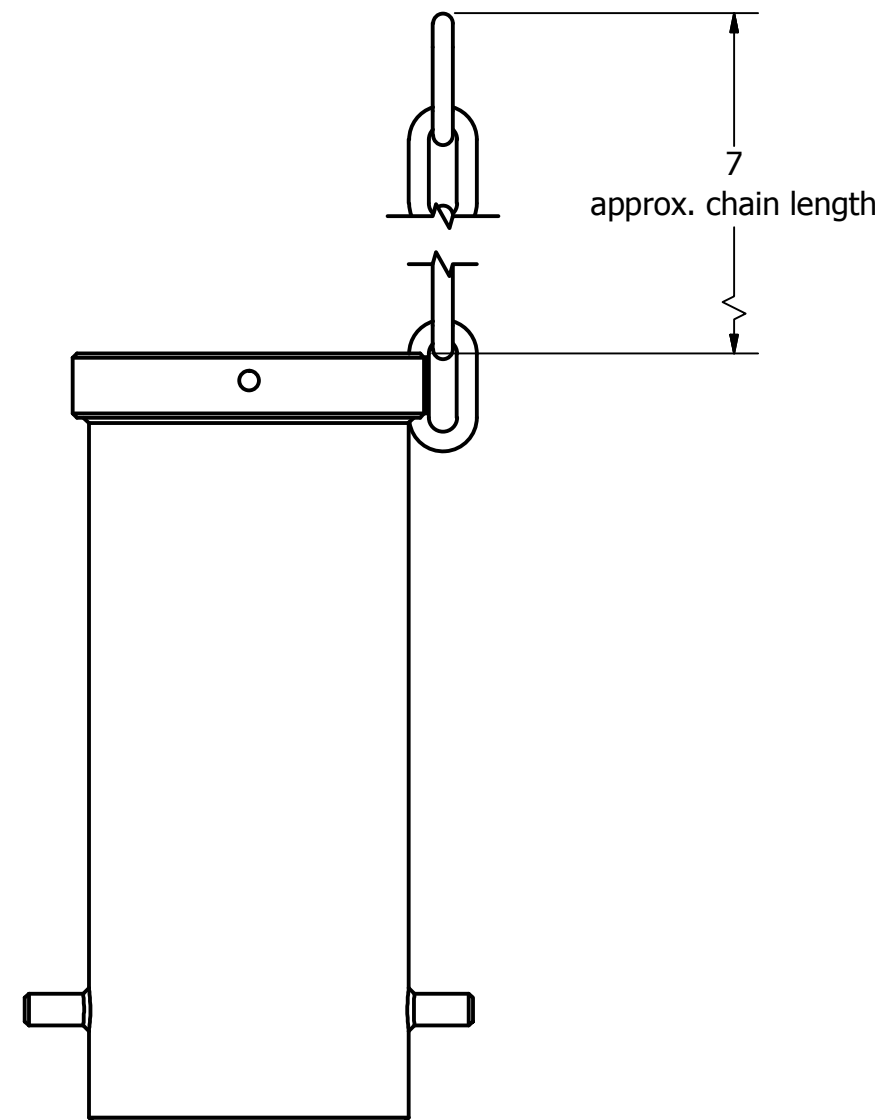
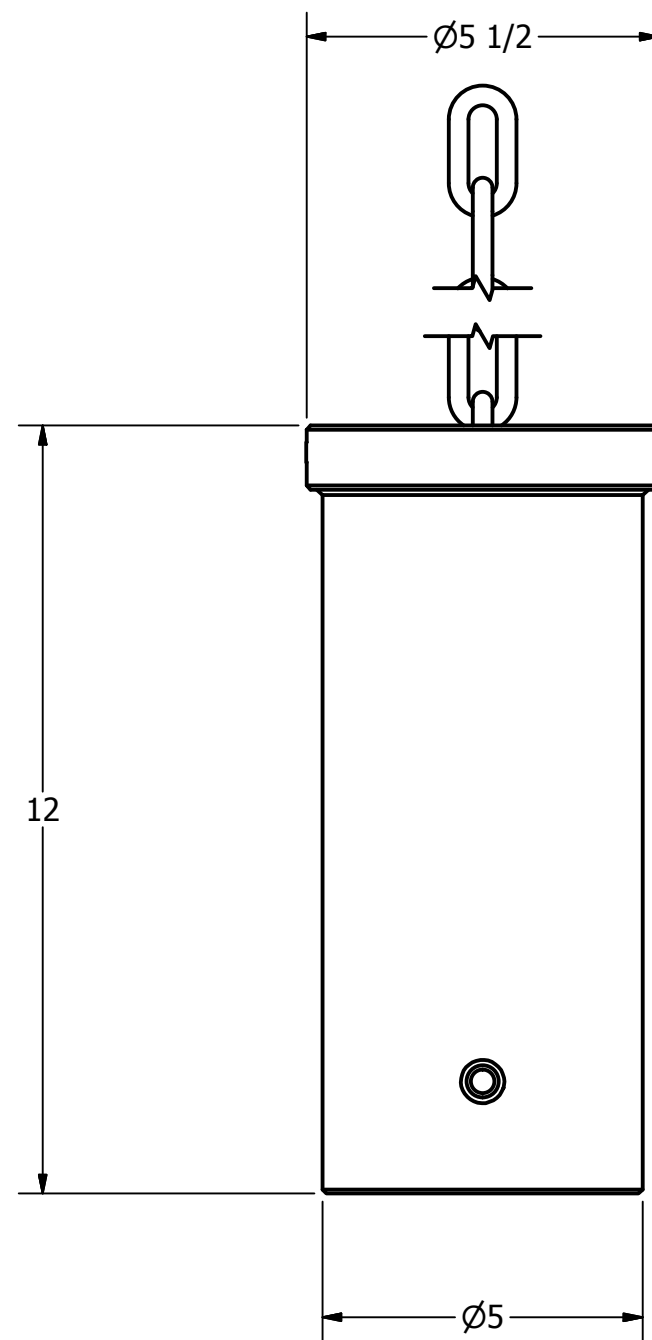
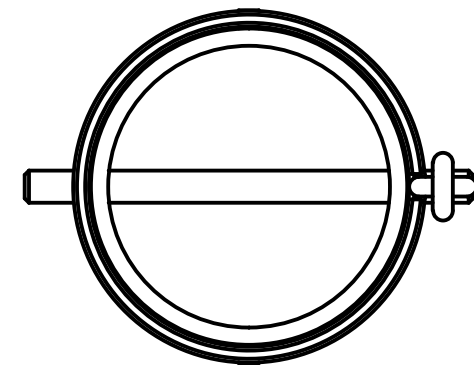


Removable Bollard Receiver with Securing Chain



General Description:

Removable bollard receivers with securing chains accommodate all Reliance Foundry R-79xx and R-89xx posts. Use padlocked chains to fasten bollards. When bollards are removed, chains can be stored inside receivers and concealed with a protective cover to prevent tripping or obstruction. Use removable mountings for multi-use spaces with a variety of day-to-day or seasonal applications. Standard mountings feature galvanized steel receivers and stainless steel chains. Stainless steel housings are also available. NOTE: Covers and padlocks are sold separately.

For more information on bollard post installation, please visit: <http://www.reliance-foundry.com/bollard/installation-bollards>

Specifications:

Height: 12"

Base Diameter: 5"

Cover Diameter: 5-1/2"

Weight: 18 lbs (Receiver with Chain Only)
(1.5 lbs Stainless Steel Receiver Cover Optional)

Material: Galvanized Steel Receiver Body
(Stainless Steel Receiver Cover Optional)

Max. Interior Security Post Size:
Diameter: 4-5/16"

Finish Options:

- ✓ Galvanized (Stainless Steel Cover Optional)
- See Reliance Foundry's standard color options at <http://www.reliance-foundry.com/bollard/colors-bollards>

Notes:

- Embedment details are for reference illustration only. Minimum foundation sizes depend on local soil conditions, weather conditions, and engineering requirements.
- Bollard post is provided as shown, with material detailed in legend below. Concrete, foundation and/or installation ordered separately or provided by others.
- This drawing is not drawn to scale. Dimensions provided herein is for reference only. Please consult Reliance Foundry sales professionals if any dimension is critical to your particular installation.
- Reliance Foundry reserves the right to amend design and specifications without prior notice for product improvement.

PARTS LIST					
ITEM	QTY	PART NUMBER	DESCRIPTION	MATERIAL	WEIGHT
1	1	Receiver Body	Receiver Body	Galvanized Steel	18 lbs
2	1	Receiver Bushing	ABS Plastic Receiver Bushing	ABS	
4	2	Flat Head Screw	Flat Head Recessed Screw	Stainless Steel	

RELIANCE FOUNDRY
SINCE 1925

Unit 207, 6450 - 148 Street, Surrey, BC V3S 7G7, Canada
1-888-735-5680 info@reliance-foundry.com
<http://www.reliance-foundry.com>

TITLE
Removable Bollard Receiver with Securing Chain

SIZE C	DWG NO 0217-0B	REV B
------------------	--------------------------	-----------------