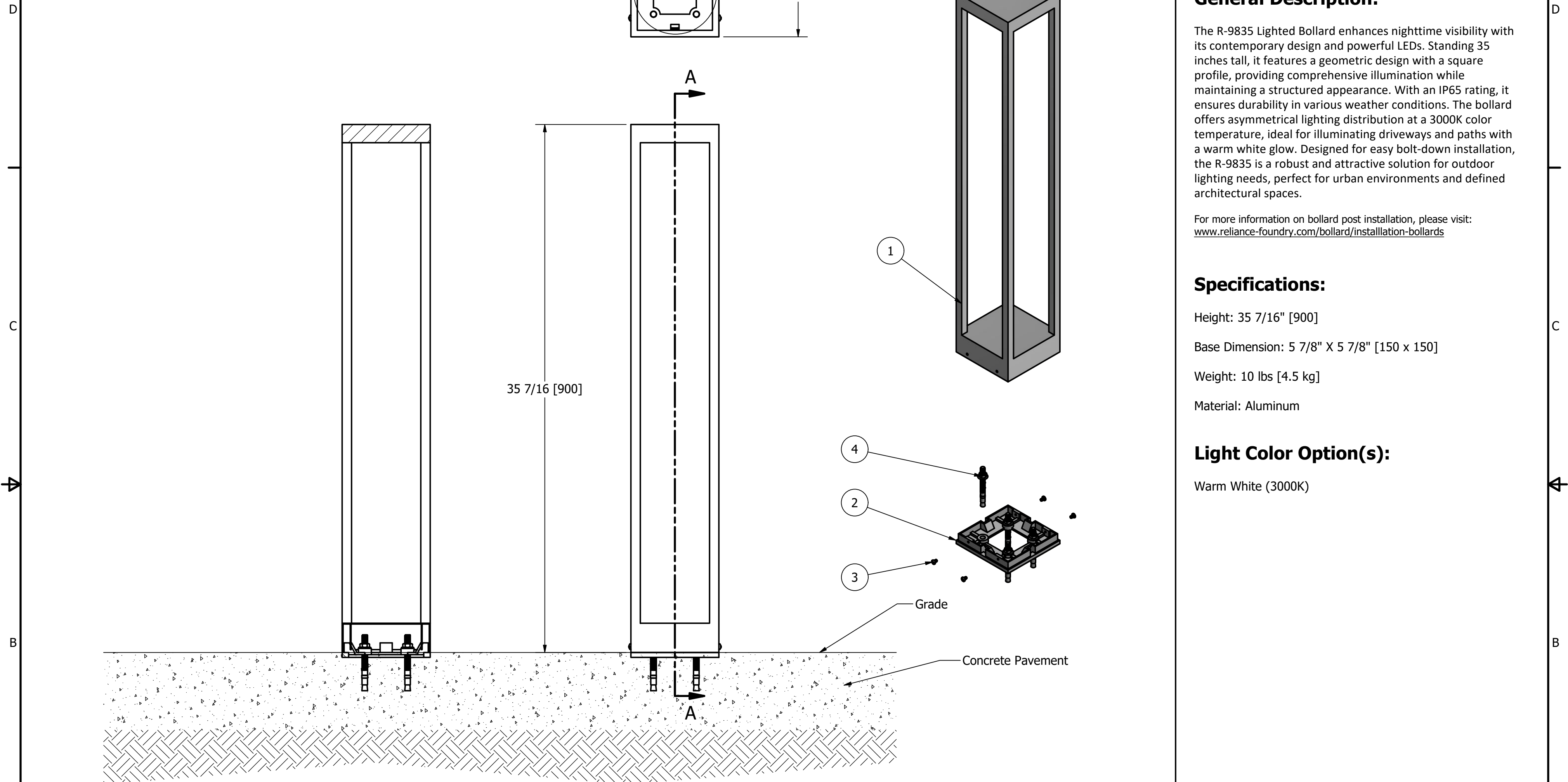
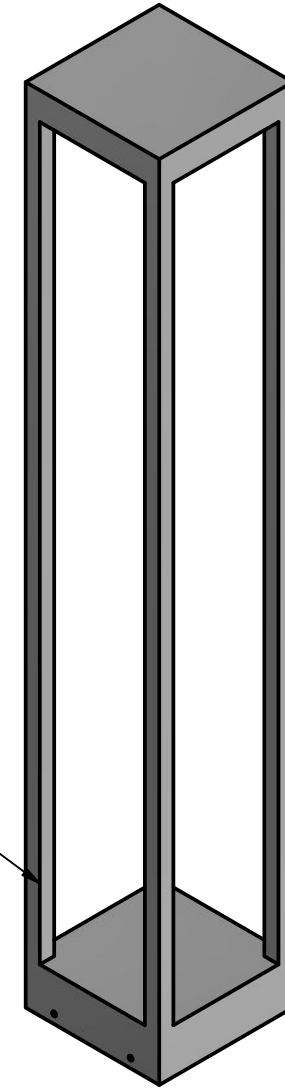
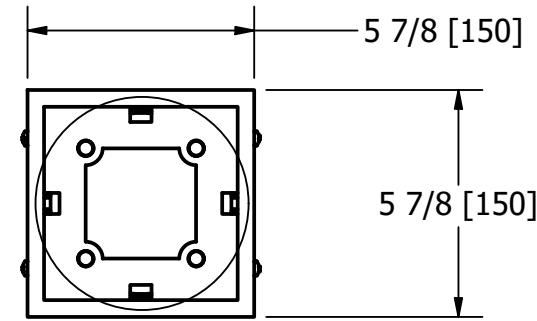


Bollard R-9835



General Description:

The R-9835 Lighted Bollard enhances nighttime visibility with its contemporary design and powerful LEDs. Standing 35 inches tall, it features a geometric design with a square profile, providing comprehensive illumination while maintaining a structured appearance. With an IP65 rating, it ensures durability in various weather conditions. The bollard offers asymmetrical lighting distribution at a 3000K color temperature, ideal for illuminating driveways and paths with a warm white glow. Designed for easy bolt-down installation, the R-9835 is a robust and attractive solution for outdoor lighting needs, perfect for urban environments and defined architectural spaces.

For more information on bollard post installation, please visit: www.reliance-foundry.com/bollard/installation-bollards

Specifications:

Height: 35 7/16" [900]
 Base Dimension: 5 7/8" X 5 7/8" [150 x 150]
 Weight: 10 lbs [4.5 kg]
 Material: Aluminum

Light Color Option(s):

Warm White (3000K)

Notes:

SECTION A-A

- Embedment details are for reference illustration only. Minimum foundation sizes depend on local soil conditions, weather conditions, and engineering requirements.
- Bollard post is provided as shown, with material detailed in legend below. Concrete, foundation and/or installation ordered separately or provided by others.
- This drawing is not drawn to scale. Dimensions provided herein is for reference only. Please consult Reliance Foundry sales professionals if any dimension is critical to you particular installation.
- Reliance Foundry reserves the right to amend design and specifications without prior notice for product improvement.

PARTS LIST					
ITEM	QTY	PART NUMBER	DESCRIPTION	MATERIAL	WEIGHT (lbs)
1	1	R9835-Body	R9835 - Bollard Body	Aluminum	9.8
2	1	R9835-Base-v2	R9835 - Bollard Base	Aluminum	0.2
3	4	#10-24 x 5/16" Pan Head Phillips Screws	#10-24 x 5/16" Pan Head Phillips Screws	Stainless Steel	-
4	4	3/8" x 3 3/4" Concrete Steel Stud Anchor	3/8" x 3 3/4" Concrete Steel Stud Anchor with washer and hex nut	Stainless Steel	-

RELIANCE FOUNDRY
 SINCE 1925

Unit 207, 6450 - 148 Street, Surrey, BC V3S 7G7, Canada
 1-877-789-3245 info@reliance-foundry.com
www.reliance-foundry.com

Bollard R-9835

SIZE C	DWG NO R9835_Public	REV A02
------------------	-------------------------------	-------------------