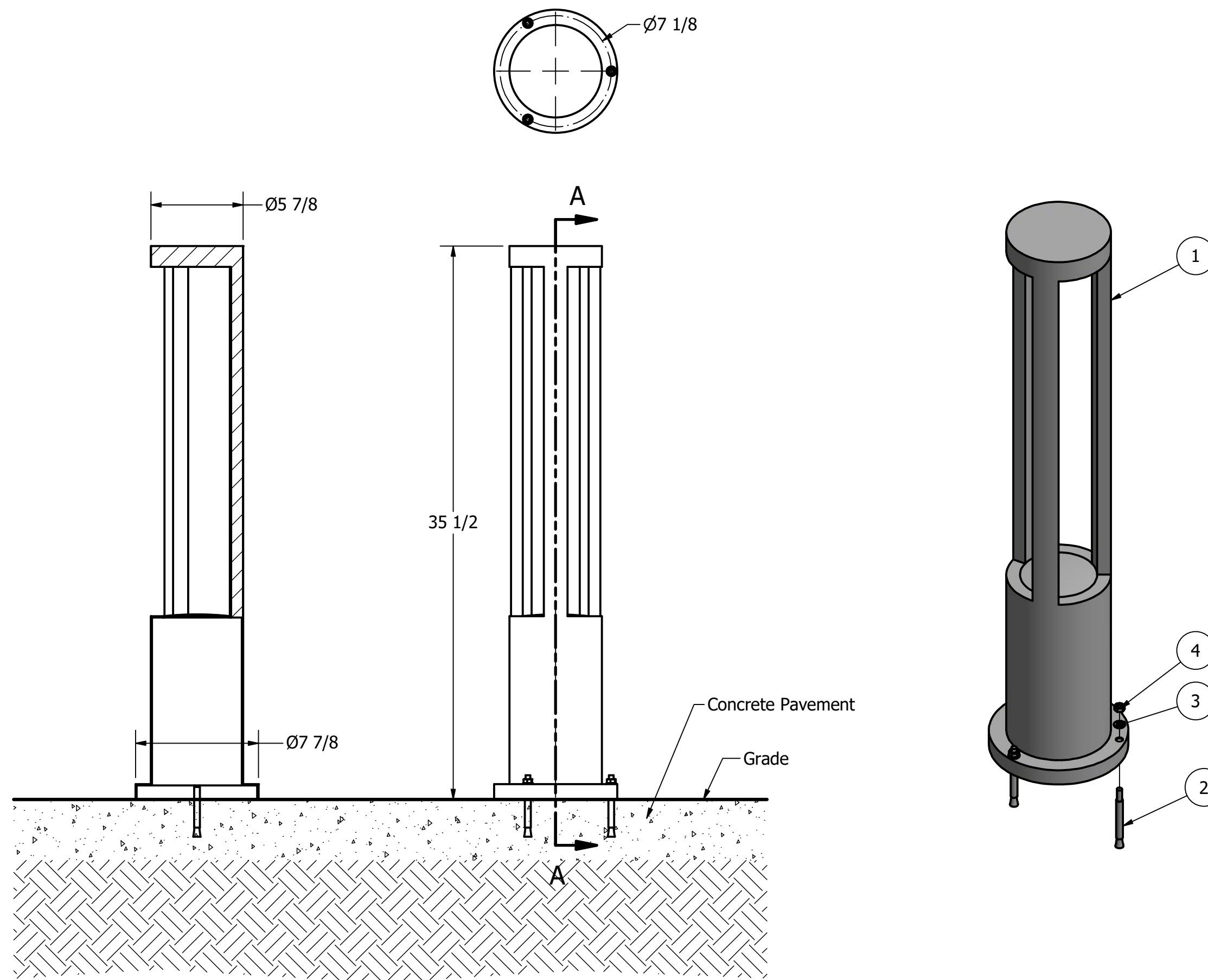


# Bollard R-9834



SECTION A-A

## Notes:

- Embedment details are for reference illustration only. Minimum foundation sizes depend on local soil conditions, weather conditions, and engineering requirements.
- Bollard post is provided as shown, with material detailed in legend below. Concrete, foundation and/or installation ordered separately or provided by others.
- This drawing is not drawn to scale. Dimensions provided herein is for reference only. Please consult Reliance Foundry sales professionals if any dimension is critical to your particular installation.
- Reliance Foundry reserves the right to amend design and specifications without prior notice for product improvement.

## General Description:

R-9834 lighted bollards provide enhanced visibility and safety at night. These bollards are IP66 rated, giving them a durable, yet modern design. Hardwired LED bollards offer a great alternative to solar-powered bollards for areas that may not receive enough sunlight. Install these bollards virtually anywhere that has access to wired power.

For more information on bollard post installation, please visit: [www.reliance-foundry.com/bollard/installation-bollards](http://www.reliance-foundry.com/bollard/installation-bollards)

## Specifications:

Height: 35 1/2"

Base Diameter: 7 7/8"

Weight: 6 lbs

Material: Aluminum

**RELIANCE FOUNDRY**  
SINCE 1925

Unit 207, 6450 - 148 Street, Surrey, BC V3S 7G7, Canada  
1-877-789-3245 info@reliance-foundry.com  
[www.reliance-foundry.com](http://www.reliance-foundry.com)

TITLE

**Bollard R-9834**

SIZE  
C

DWG NO  
R-9834 ASSY

REV  
A

PARTS LIST					
ITEM	QTY	PART NUMBER	DESCRIPTION	MATERIAL	MASS
1	1	R-9834	R-9834 Bollard	Aluminum	6 lbs
2	3	Anchor M8X80MM	Anchor M8X80MM	Stainless Steel	
3	3	Washer M8	Plain Washer M8	Stainless Steel	
4	3	Hex Nut M8	Hex Nut M8	Stainless Steel	