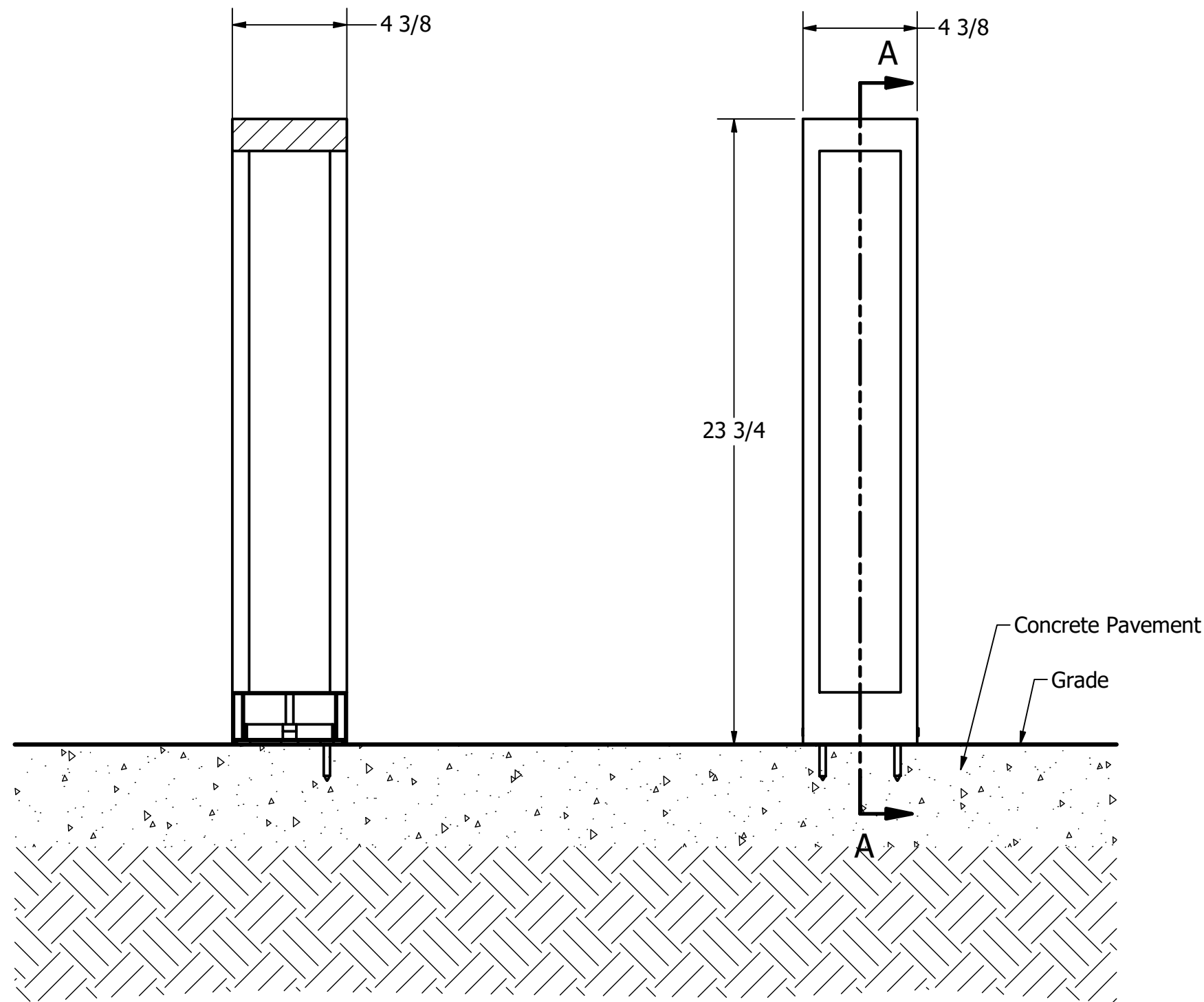
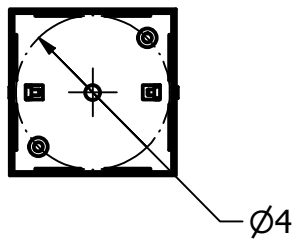
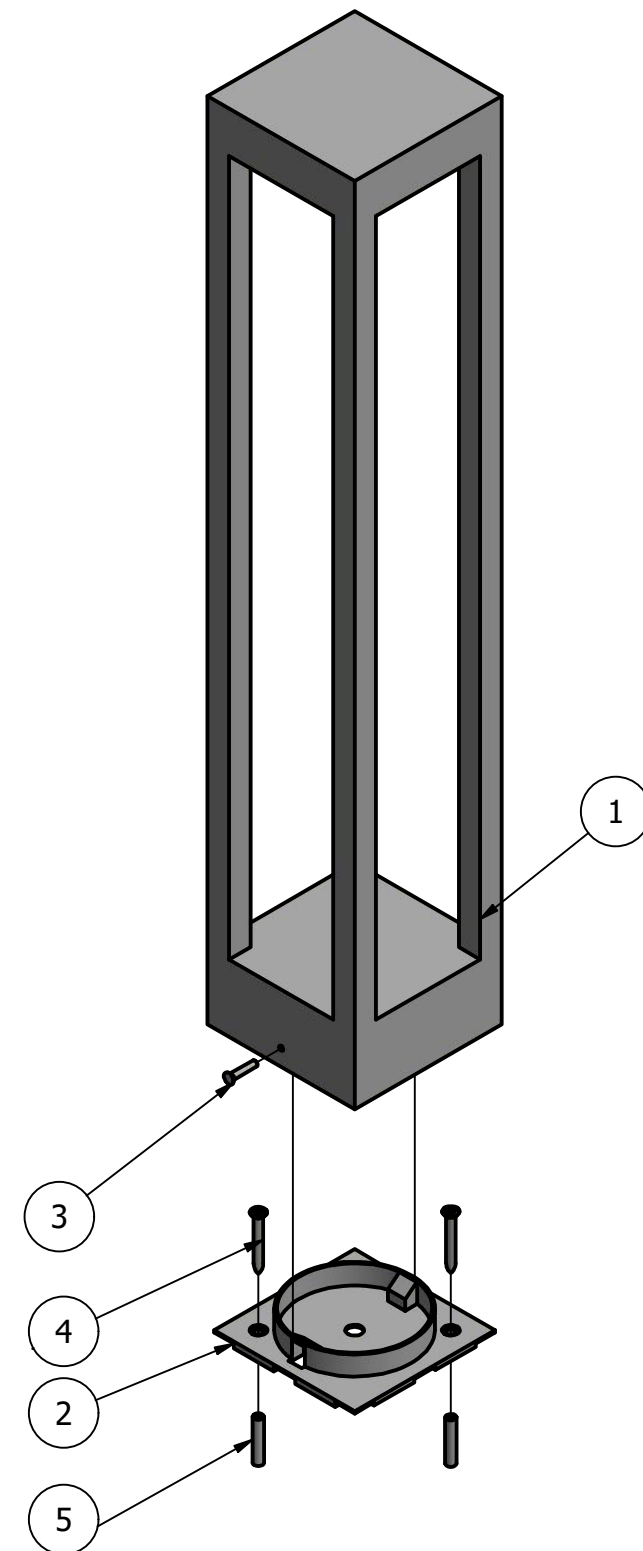


# Bollard R-9833



SECTION A-A



## General Description:

Reliance Foundry's R-9833 bollards enhance garden and pathway visibility at night using efficient LEDs. These bollards offer a great alternative to solar powered bollards for areas where the weather does not make solar power practical. They are IP66 rated and have a durable, contemporary design that is perfect for gardens or residential areas. Easy installation into existing concrete.

For more information on bollard post installation, please visit: [www.reliance-foundry.com/bollard/installation-bollards](http://www.reliance-foundry.com/bollard/installation-bollards)

## Specifications:

Height: 23 3/4"

Base Dimension: 4 3/8" X 4 3/8"

Weight: 3.7 lbs

Material: Aluminum

## Notes:

- Embedment details are for reference illustration only. Minimum foundation sizes depend on local soil conditions, weather conditions, and engineering requirements.
- Bollard post is provided as shown, with material detailed in legend below. Concrete, foundation and/or installation ordered separately or provided by others.
- This drawing is not drawn to scale. Dimensions provided herein is for reference only. Please consult Reliance Foundry sales professionals if any dimension is critical to your particular installation.
- Reliance Foundry reserves the right to amend design and specifications without prior notice for product improvement.

PARTS LIST					
ITEM	QTY	PART NUMBER	DESCRIPTION	MATERIAL	MASS
1	1	R-9833	R-9833 Bollard	Aluminum	3.7 lbs
2	1	R-9833 Bottom	R-9833 Bollard	Aluminum	
3	2	Phillips Drive Flat Head M4 X 20mm	Phillips Drive Flat Head M4 X 20mm	Stainless Steel	
4	2	Round Head Wood Screw DIN 7996 Z 5 x 40mm	Round Head Wood Screw DIN 7996 Z 5x40mm	Stainless Steel	
5	2	Anchor Plastic Nylon 6mm	Anchor Plastic Nylon 6mm	Nylon	

**RELIANCE FOUNDRY**  
SINCE 1925

Unit 207, 6450 - 148 Street, Surrey, BC V3S 7G7, Canada  
1-877-789-3245 info@reliance-foundry.com  
[www.reliance-foundry.com](http://www.reliance-foundry.com)

TITLE			
<b>Bollard R-9833</b>			
SIZE	DWG NO	REV	
C	R-9833 ASSY	A	