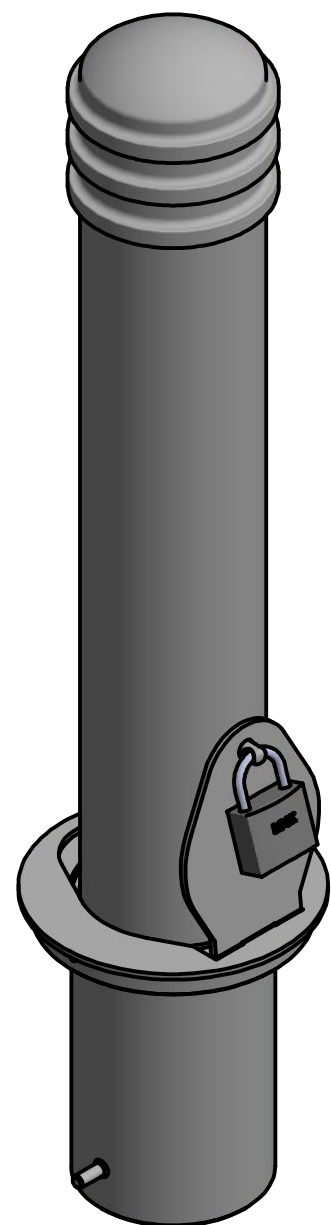


Bollard R-8911

Removable Receiver with Lid
(for detail, see sheet 2 of 4)



Fixed Embedded Mount
(for detail, see sheet 3 of 4)



2 Available Mounting Options

General Description:

Reliance Foundry R-8911 stainless steel bollards feature a modern, versatile design with various custom mounting options. Composed of premium-quality 316-grade stainless steel for a durable, refined finish. This model measures 6.5 inches in diameter for a more imposing stature than the 4" R-8901. Optional reflector stripes are available. Select from fixed and removable mounting options: concrete embedment, bolt-down flange, and removable receivers.

For more information on bollard post installation, please visit:
www.reliance-foundry.com/bollard/installation-bollards

Specifications:

Height: 36" (Above Grade)

Base Diameter: 6 1/2"

Weight: 58 lbs

Material: Stainless Steel

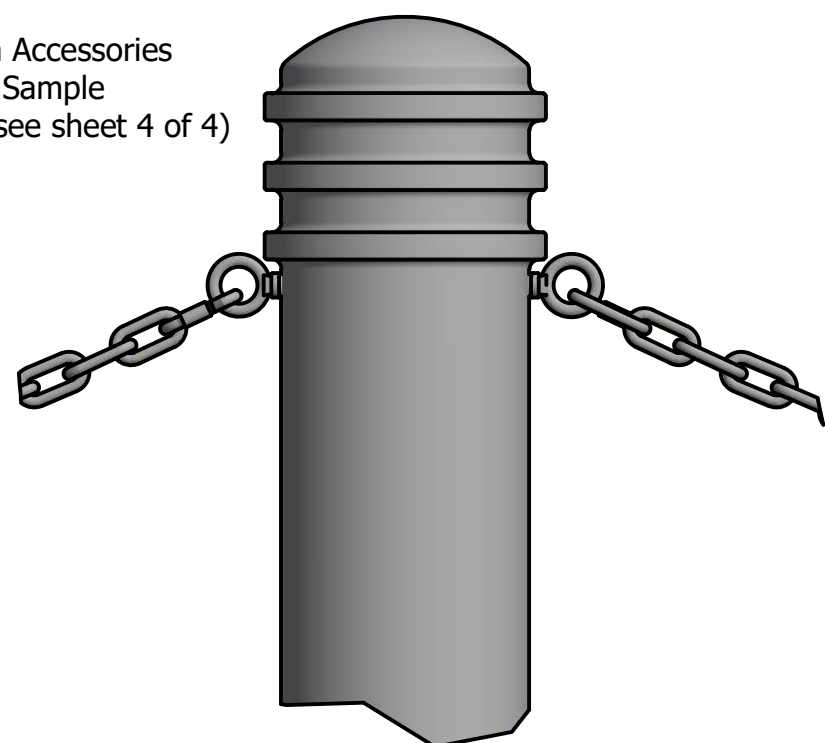
Finish Options:

- ✓ Polyester Powdercoated

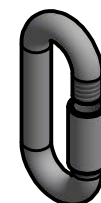
See Reliance Foundry's standard color options at
www.reliance-foundry.com/bollard/colors-bollards

Optional Chain Accessories Available

5/16" Chain Accessories Installation Sample
(for detail, see sheet 4 of 4)



Chain Eye 3/8"
(Powder Coated)



Quick Link Connector
(Powder Coated)



Bollard Chain 5/16"
(Powder Coated)

RELIANCE FOUNDRY
SINCE 1925

Unit 207, 6450 - 148 Street, Surrey, BC V3S 7G7, Canada
1-877-789-3245 info@reliance-foundry.com
www.reliance-foundry.com

TITLE

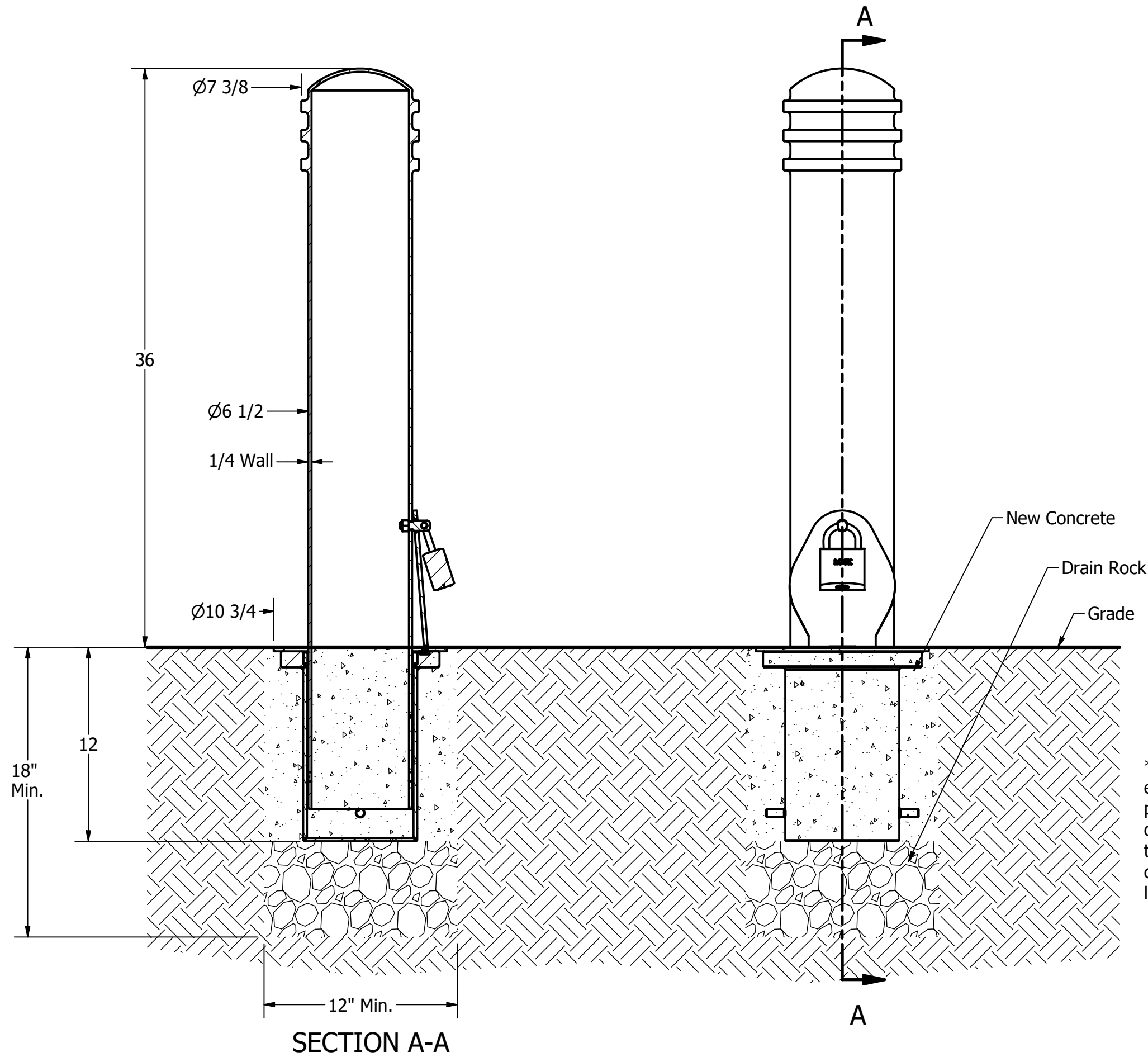
Bollard R-8911

SIZE
C

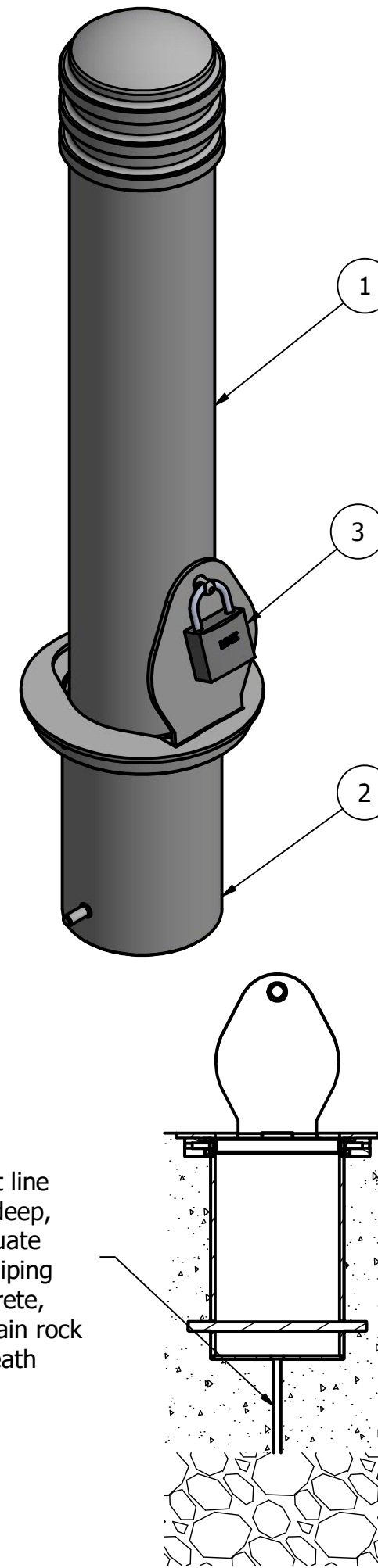
DWG NO
R8911_R7911R

REV
A

Bollard R-8911



* If local frost line exceeds 12" deep, provide adequate drainage by piping through concrete, connect to drain rock layer underneath



General Description:

Reliance Foundry R-8911 stainless steel bollards feature a modern, versatile design with various custom mounting options. Composed of premium-quality 316-grade stainless steel for a durable, refined finish. This model measures 6.5 inches in diameter for a more imposing stature than the 4" R-8901. Optional reflector stripes are available. Select from fixed and removable mounting options: concrete embedment, bolt-down flange, and removable receivers.

For more information on bollard post installation, please visit: www.reliance-foundry.com/bollard/installation-bollards

Specifications:

Height: 36" (Above Grade)

Base Diameter: 6 1/2"

Weight: 58 lbs

Material: Stainless Steel

Finish Options:

- ✓ Polyester Powdercoated
- See Reliance Foundry's standard color options at www.reliance-foundry.com/bollard/colors-bollards

Mount Options:

- ✓ Removable Receiver with Lid (see sheet 2 of 4)
- Fixed Embedded Mount (see sheet 3 of 4)
- Optional Chain Accessory (see sheet 4 of 4)

Removable Receiver with Lid

(For important detail regarding installation with *OPTIONAL* bollard chain accessories, refer to sheet 4 of 4)

Notes:

- Embedment details are for reference illustration only. Minimum foundation sizes depend on local soil conditions, weather conditions, and engineering requirements.
- Bollard post is provided as shown, with material detailed in legend below. Concrete, foundation and/or installation ordered separately or provided by others.
- This drawing is not drawn to scale. Dimensions provided herein is for reference only. Please consult Reliance Foundry sales professionals if any dimension is critical to your particular installation.
- Reliance Foundry reserves the right to amend design and specifications without prior notice for product improvement.

PARTS LIST					
ITEM	QTY	PART NUMBER	DESCRIPTION	MATERIAL	WEIGHT
1	1	R8911 Removable Bollard	R8911 Removable Bollard Assembly	Stainless Steel 316	58 lbs
2	1	R7911R Receiver	R7911R Receiver Assembly w/ Lid	Galvanized Steel w/ 316 Stainless Steel Cover	36 lbs
3	1	Padlock (Optional)	Optional Padlock (Brass or Stainless Steel)	Choice of Brass or Stainless Steel	5/8 lbs

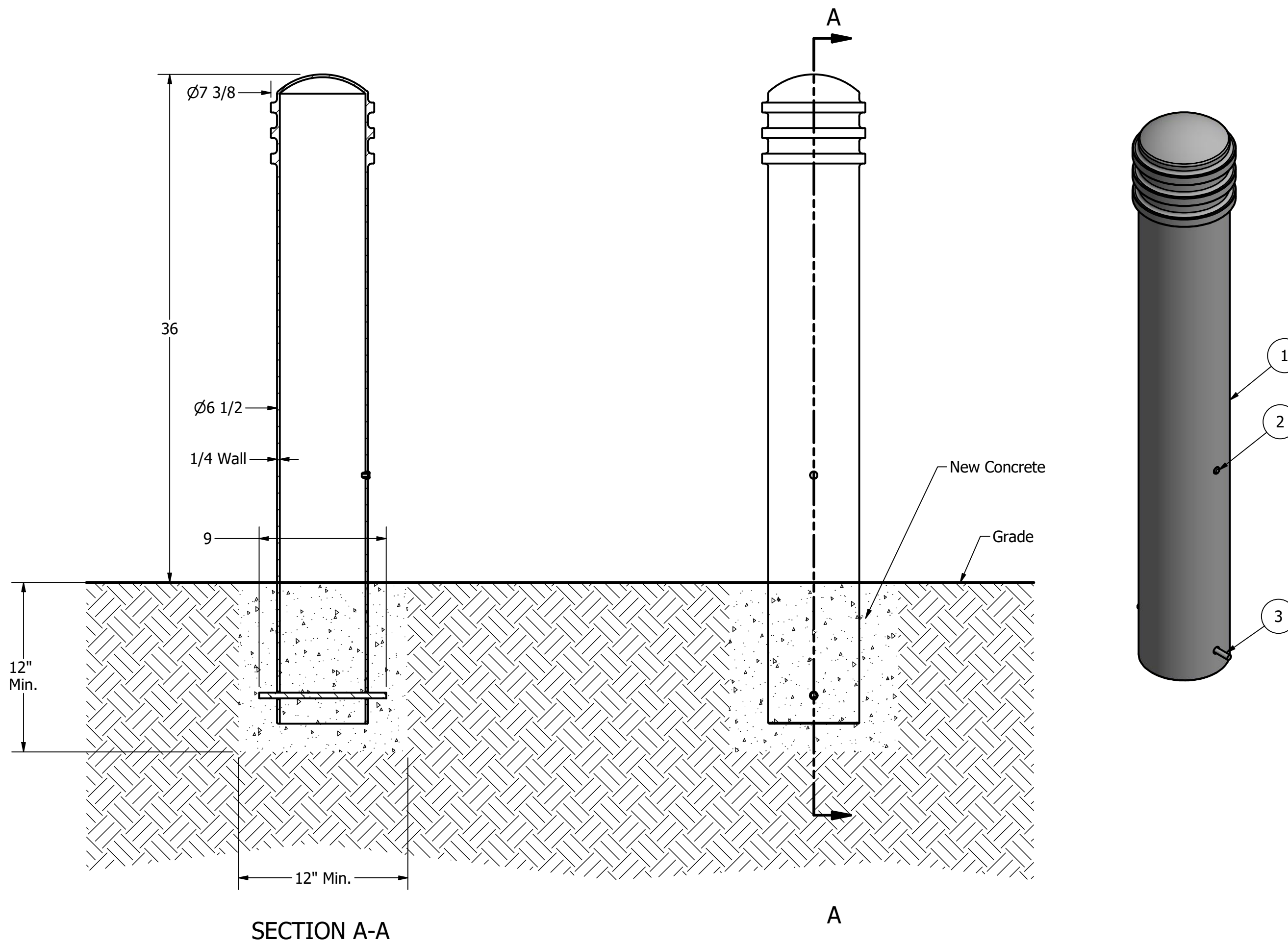
RELIANCE FOUNDRY
— SINCE 1925 —

Unit 207, 6450 - 148 Street, Surrey, BC V3S 7G7, Canada
1-877-789-3245 info@reliance-foundry.com
www.reliance-foundry.com

Bollard R-8911

TITLE	Bollard R-8911		REV	A
SIZE	C	DWG NO	R8911_R7911R	

Bollard R-8911



Fixed Installation in New Concrete

Notes:

- Embedment details are for reference illustration only. Minimum foundation sizes depend on local soil conditions, weather conditions, and engineering requirements.
- Bollard post is provided as shown, with material detailed in legend below. Concrete, foundation and/or installation ordered separately or provided by others.
- This drawing is not drawn to scale. Dimensions provided herein is for reference only. Please consult Reliance Foundry sales professionals if any dimension is critical to your particular installation.
- Reliance Foundry reserves the right to amend design and specifications without prior notice for product improvement.

PARTS LIST					
ITEM	QTY	PART NUMBER	DESCRIPTION	MATERIAL	WEIGHT
1	1	R8911_Fixed Bollard Body	R8911 Fixed Bollard Body	Stainless Steel	58 lbs
2	1	Polyethylene Plug 1/2"	Polyethylene Plug 1/2"	Polyethylene Plastic	
3	1	Steel Rebar	Steel Rebar 10 mm x 9"	Steel Epoxy Coated	1/2 lbs

General Description:

Reliance Foundry R-8911 stainless steel bollards feature a modern, versatile design with various custom mounting options. Composed of premium-quality 316-grade stainless steel for a durable, refined finish. This model measures 6.5 inches in diameter for a more imposing stature than the 4" R-8901. Optional reflector stripes are available. Select from fixed and removable mounting options: concrete embedment, bolt-down flange, and removable receivers.

For more information on bollard post installation, please visit: www.reliance-foundry.com/bollard/installation-bollards

Specifications:

Height: 36" (Above Grade)

Base Diameter: 6 1/2"

Weight: 58 lbs

Material: Stainless Steel

Finish Options:

- ✓ Polyester Powdercoated
- See Reliance Foundry's standard color options at www.reliance-foundry.com/bollard/colors-bollards

Mount Options:

- Removable Receiver with Lid (see sheet 2 of 4)
- ✓ Fixed Embedded Mount (see sheet 3 of 4)
- Optional Chain Accessory (see sheet 4 of 4)

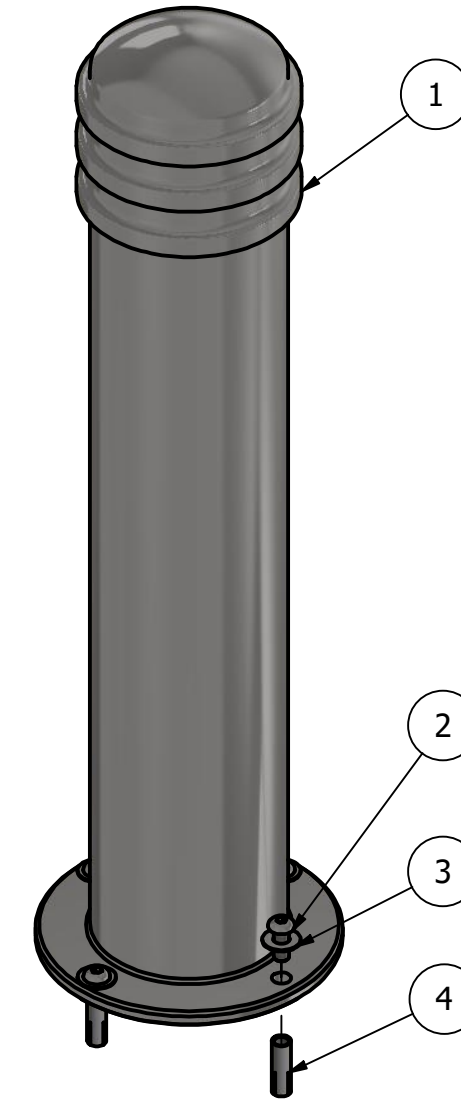
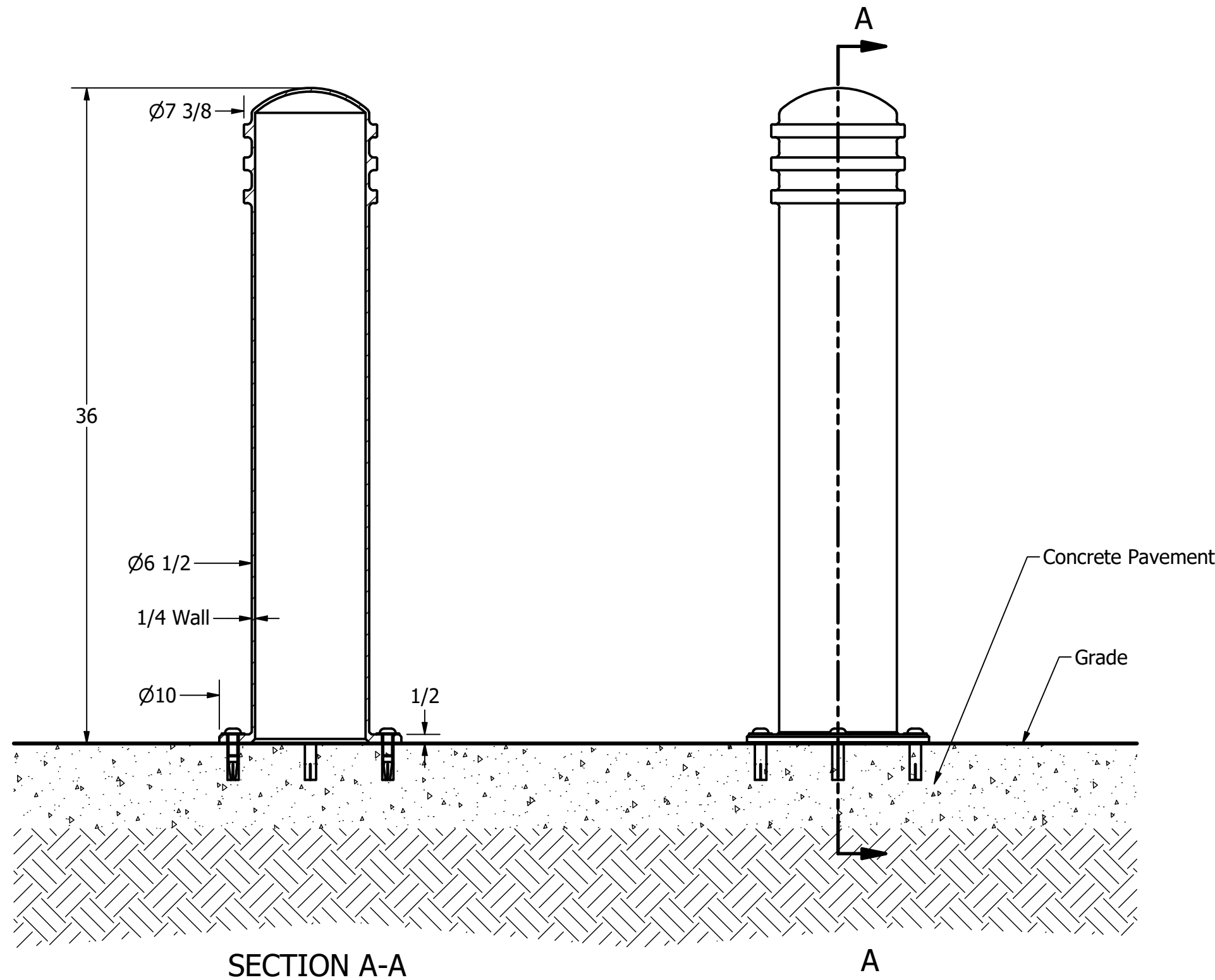
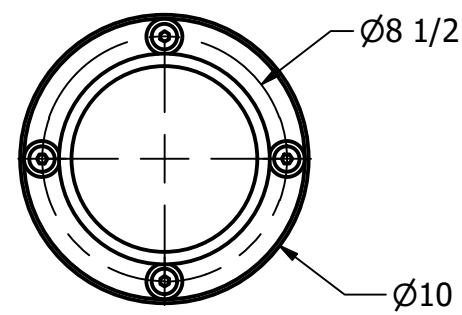
RELIANCE FOUNDRY
SINCE 1925

Unit 207, 6450 - 148 Street, Surrey, BC V3S 7G7, Canada
1-877-789-3245 info@reliance-foundry.com
www.reliance-foundry.com

Bollard R-8911

SIZE	DWG NO	REV
C	R8911_	A

Bollard R-8911-FL



General Description:

Reliance Foundry R-8911 stainless steel bollards feature a modern, versatile design with surface flanges for non-intrusive bolt-down installation. Composed of premium-quality 316-grade stainless steel for a durable, polished finish. This model measures 6.5 inches in diameter for a more imposing stature than the 4" R-8901. Optional reflector stripes are available.

For more information on bollard post installation, please visit: www.reliance-foundry.com/bollard/installation-bollards

Specifications:

Height: 36"

Base Diameter: 6 1/2"

Weight: 54 lbs

Material: Steel

Finish Options:

✓ Polyester Powdercoated

See Reliance Foundry's standard color options at www.reliance-foundry.com/bollard/colors-bollards

Notes:

- Embedment details are for reference illustration only. Minimum foundation sizes depend on local soil conditions, weather conditions, and engineering requirements.
- Bollard post is provided as shown, with material detailed in legend below. Concrete, foundation and/or installation ordered separately or provided by others.
- This drawing is not drawn to scale. Dimensions provided herein is for reference only. Please consult Reliance Foundry sales professionals if any dimension is critical to your particular installation.
- Reliance Foundry reserves the right to amend design and specifications without prior notice for product improvement.

PARTS LIST

ITEM	QTY	PART NUMBER	DESCRIPTION	MATERIAL	WEIGHT
1	1	R8911FL Flanged Bollard	R8911FL Flanged Bollard Body	Stainless Steel	54 lbs
2	4	Button Head Bolt 1/2" x 1 1/4"	Hexagon Socket Button Head Cap Bolt 1/2" x 1 1/4" - requires 5/16" hex key	Stainless Steel	1/8 lbs
3	4	Stainless Steel Washer 1/2"	Stainless Steel Washer 1/2" OD 1 1/4" Thick .05"	Stainless Steel	
4	4	Drop-in Concrete Insert 1/2"	Drop-in Concrete Insert 1/2" - requires 5/8" x 2" hole (dia. x depth)	Steel Plated	1/8 lbs

RELIANCE FOUNDRY
SINCE 1925

Unit 207, 6450 - 148 Street, Surrey, BC V3S 7G7, Canada
1-877-789-3245 info@reliance-foundry.com
www.reliance-foundry.com

TITLE

Bollard R-8911-FL

SIZE
C

DWG NO
R-8911-FL

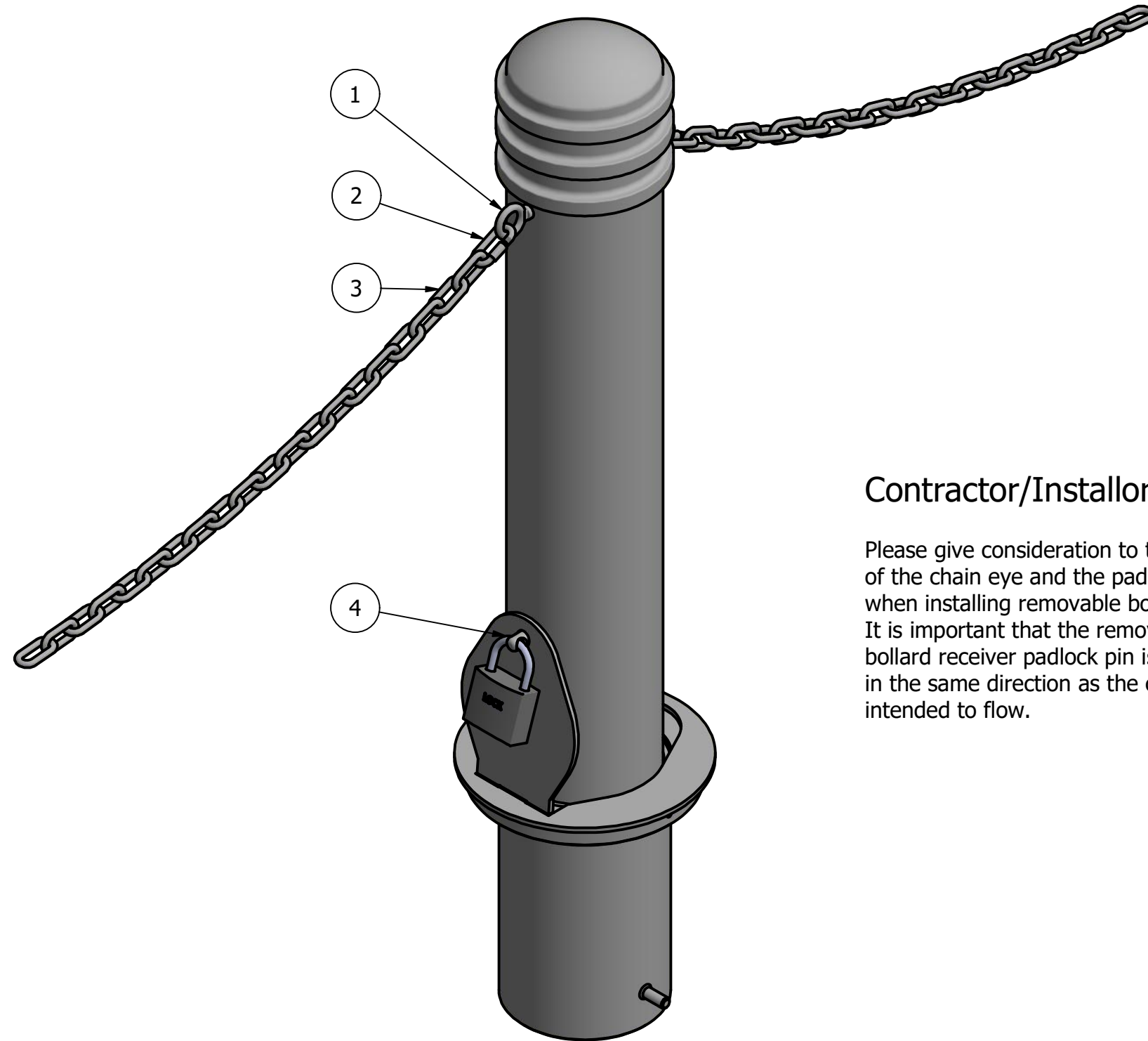
REV
A

COPYRIGHT RESERVED THIS PLAN DRAWING AND DESIGN ARE, AND AT ALL TIMES REMAIN, THE EXCLUSIVE PROPERTY OF RELIANCE FOUNDRY CO. LTD.

NOT TO SCALE

SHEET 1 OF 1

Bollard R-8911



Contractor/Installor Alert:

Please give consideration to the location of the chain eye and the padlock pin when installing removable bollard receiver. It is important that the removable bollard receiver padlock pin is oriented in the same direction as the chain is intended to flow.

General Description:

Reliance Foundry R-8911 stainless steel bollards feature a modern, versatile design with various custom mounting options. Composed of premium-quality 316-grade stainless steel for a durable, refined finish. This model measures 6.5 inches in diameter for a more imposing stature than the 4" R-8901. Optional reflector stripes are available. Select from fixed and removable mounting options: concrete embedment, bolt-down flange, and removable receivers.

For more information on bollard post installation, please visit: www.reliance-foundry.com/bollard/installation-bollards

Specifications:

Height: 36" (Above Grade)

Base Diameter: 6 1/2"

Weight: 58 lbs

Material: Stainless Steel

Finish Options:

- ✓ Polyester Powdercoated
- See Reliance Foundry's standard color options at www.reliance-foundry.com/bollard/colors-bollards

Mount Options:

- Removable Receiver with Lid (see sheet 2 of 4)
- Fixed Embedded Mount (see sheet 3 of 4)
- ✓ Optional Chain Accessory (see sheet 4 of 4)

Optional Chain Accessories Installation Details

PARTS LIST			
ITEM	PART NUMBER	DESCRIPTION	MATERIAL
1	Chain Eye 3/8" (Optional)	Optional Chain Eye 3/8"	Steel Powder Coated
2	Quick Link Connector (Optional)	Optional Quick Link Connector	Steel Powder Coated
3	Chain 5/16" (Optional)	Optional Chain 5/16" (Sold by Length)	Steel Powder Coated
4	Padlock (Optional)	Optional Padlock (Brass or Stainless Steel)	Choice of Brass or Stainless Steel

RELIANCE FOUNDRY
SINCE 1925

Unit 207, 6450 - 148 Street, Surrey, BC V3S 7G7, Canada
1-877-789-3245 info@reliance-foundry.com
www.reliance-foundry.com

TITLE			
Bollard R-8911			
SIZE	DWG NO	REV	
C	R8911CH_R7911R	A	