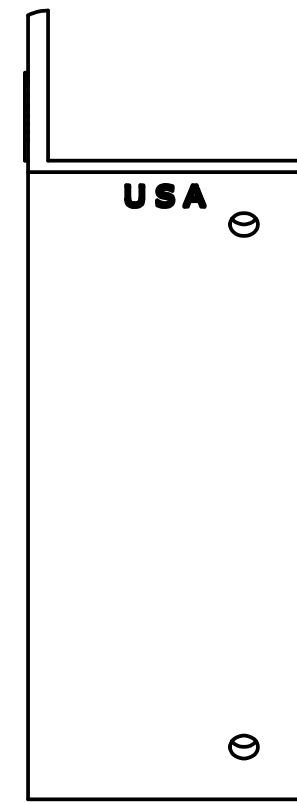
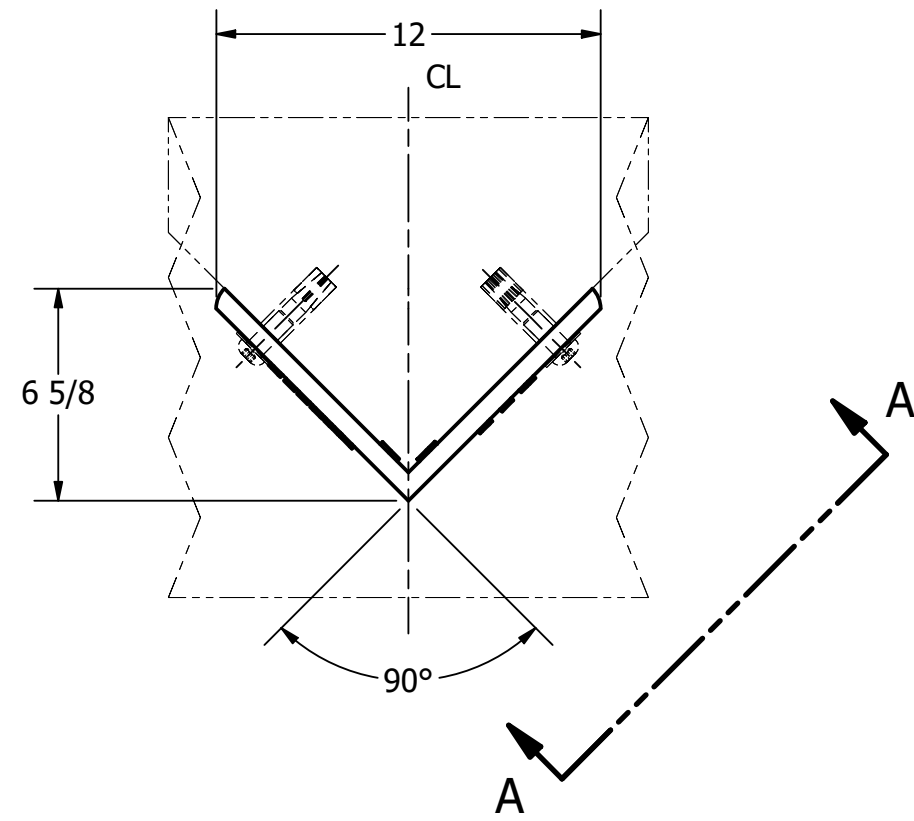


# CORNER GUARD EXTENSION PIECE



ISOMETRIC VIEW  
SCALE 1 / 6

## General Description:

The R-8844-RA corner guard is proudly made in the USA and follows the Federal Transit Administration's (FTA) Buy America requirements, meaning the R-8844-RA corner guard is manufactured solely in America. The R-8844-RA guard features a straight edge to sit flush with walls, while providing exceptional protection. The R-8844-RA corner bollard complements a range of architectural styles and can be easily bolted into almost any wall. The R-8844-RA can be installed as a stand-alone guard, or installed directly above the R-8845-RA as a guard extension.

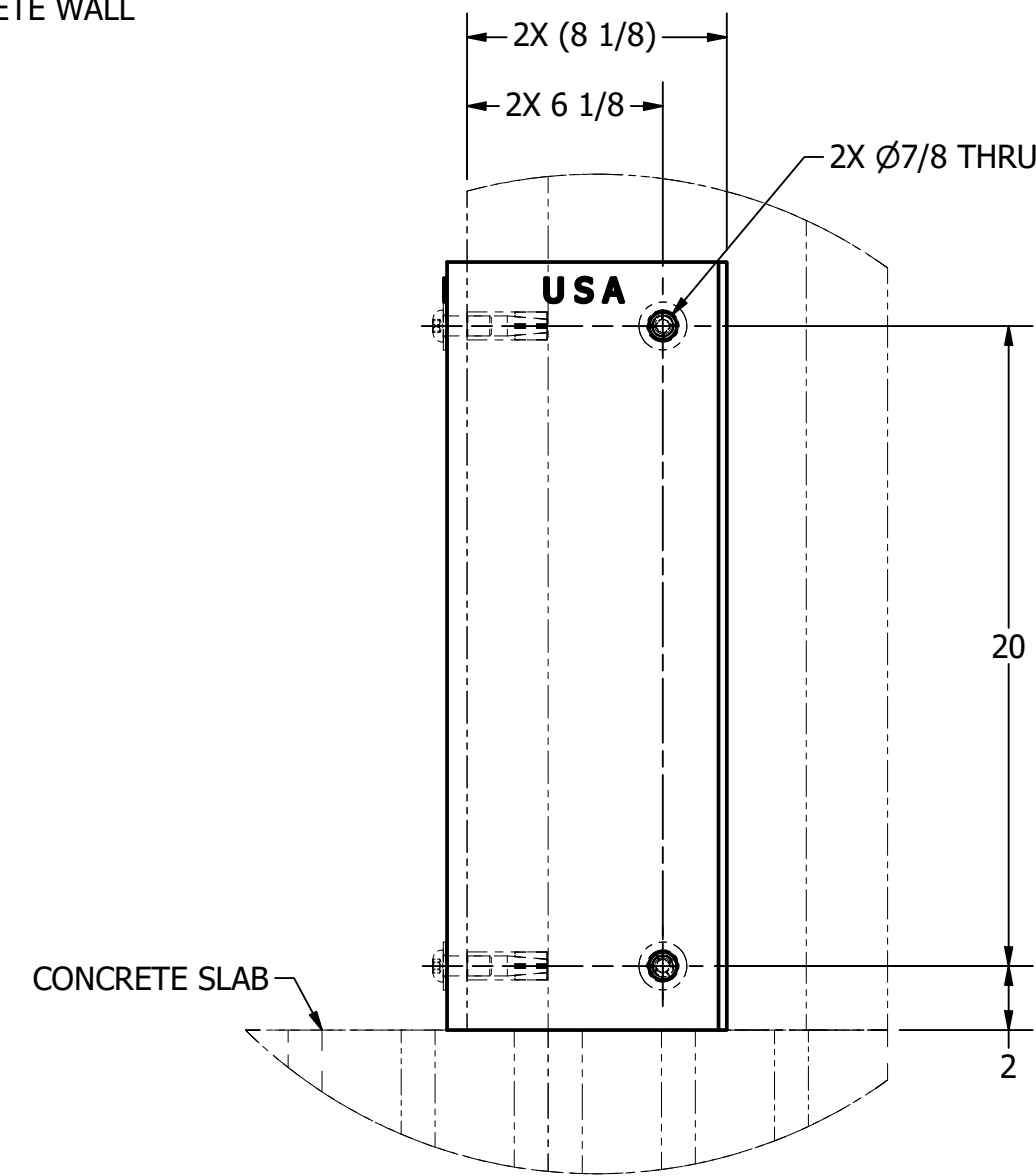
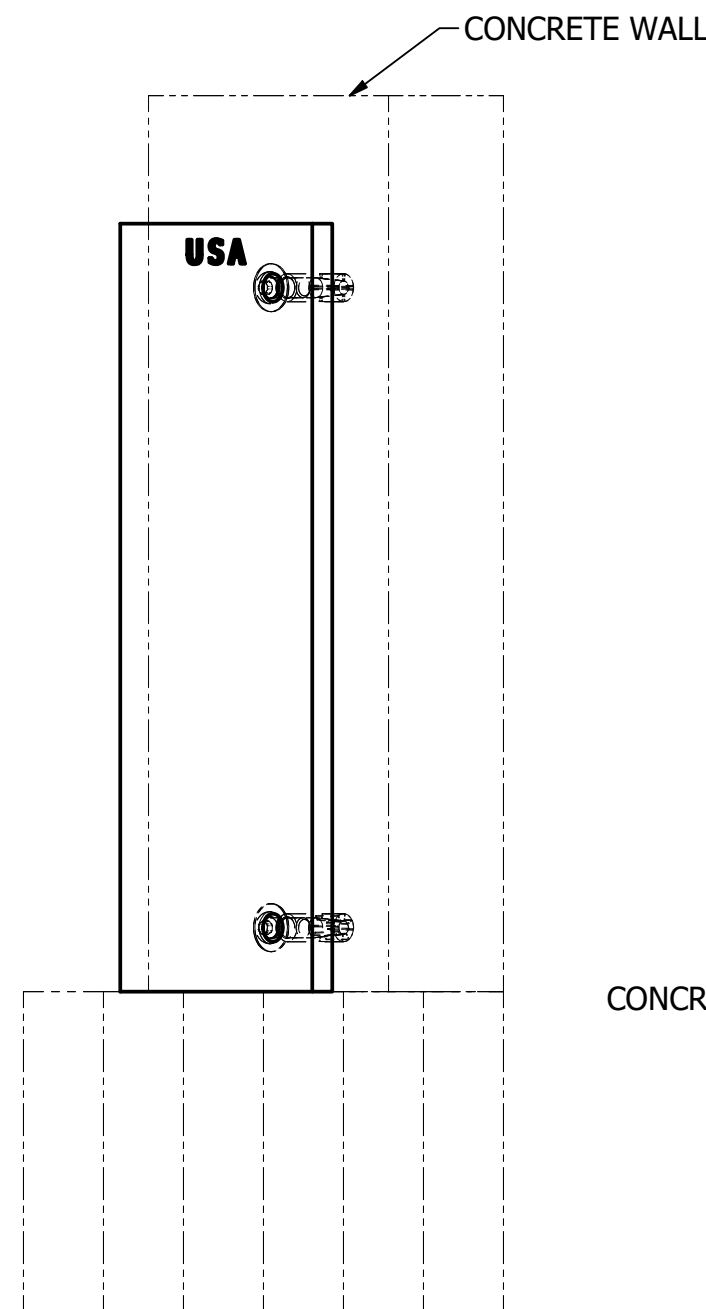
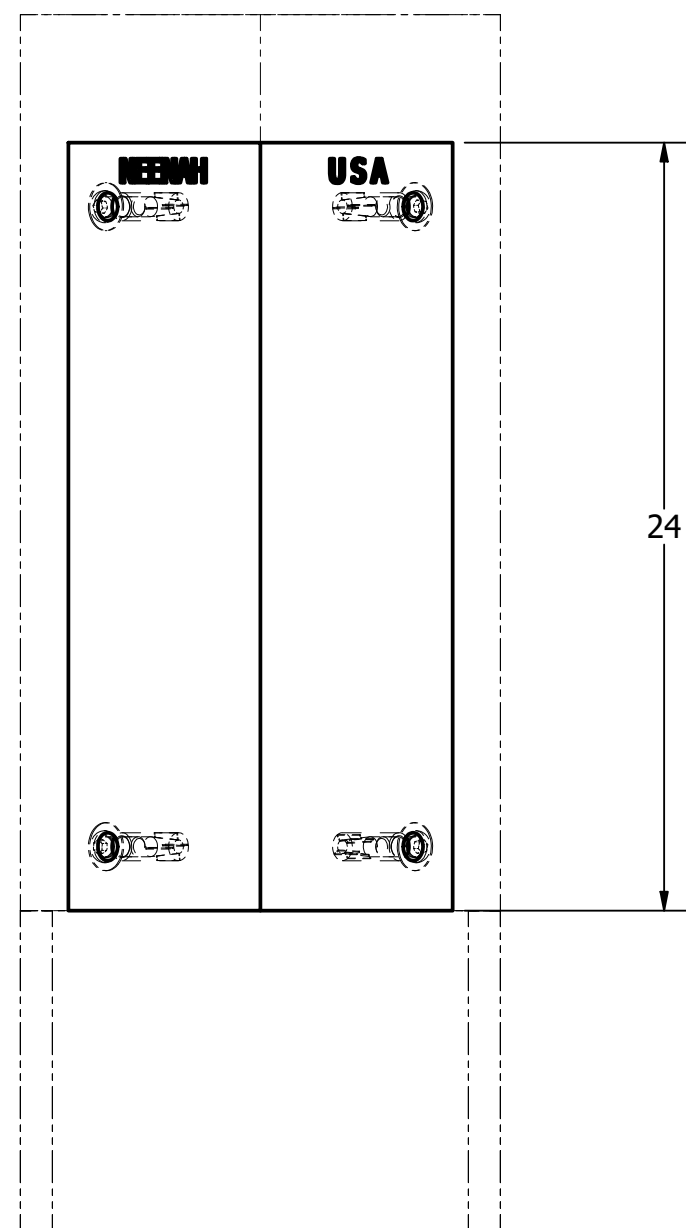
## Specifications:

Length : 24.000

Width : 12.000

Weight : 65 lb

Material: ASTM A-48, CLASS 35B



VIEW A-A  
SCALE 1 / 6



Unit 207, 6450 - 148 Street, Surrey, BC V3S 7G7, Canada  
1-877-789-3245 info@reliance-foundry.com  
www.reliance-foundry.com

TITLE			
<b>CORNER GUARD EXTENSION PIECE</b>			
SIZE	DWG NO	REV	
C	R-8844-RA	A00	
NOT TO SCALE		SHEET 1 OF 1	