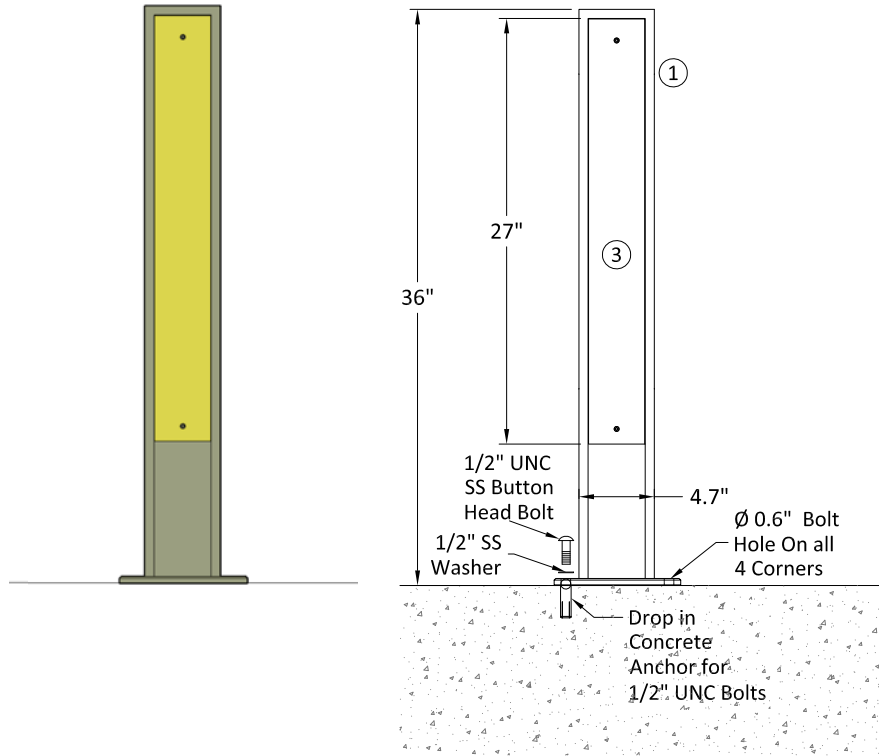
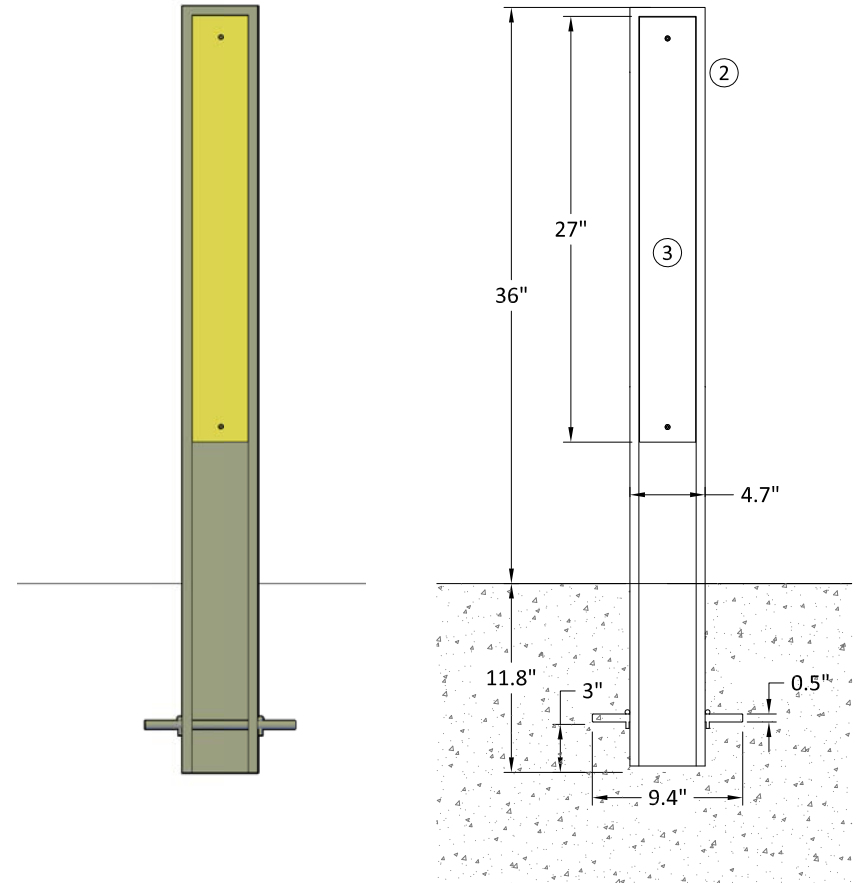


Surface Mount



Embedded Mount



Bollard				
Item	Part Number	Description	Material	Weight
1	R-8610	Bollard Post, Surface Mount	ASTM36 Carbon Steel	35 lbs
2	R-8610-EM	Bollard Post, Embedded Mount	ASTM36 Carbon Steel	37 lbs
3	R-8600-INS	Composite Wood Insert, Cedar Color, 2 Pcs./bollard	Wood Fibre/Plastic Composite	N/A
3	R-8600-INS	Composite Wood Insert, Walnut Color, 2 Pcs./bollard	Wood Fibre/Plastic Composite	N/A

REV	DATE	DESCRIPTION	DR
<div style="border: 1px solid black; padding: 5px; display: inline-block;"> RELIANCE FOUNDRY <small>CO. LTD.</small> </div> <p>Unit 207, 6450 - 148 Street, Surrey, BC, Canada V3S-7G7 1-888-735-5680 - info@reliance-foundry.com www.reliance-foundry.com www.bollards.ca www.bike-parking.ca</p>			
Fixed Bollard, Model R-8610			
SCALE	NTS	DRAWING NUMBER	SIZE
DESIGN		R-8610 / R-8610-EM	A A
DATE	06/12/2012		