

Bollard, Model R-8471-RA

R-8471-RA
 Lockable in Raised Position
 Key required to lower bollard
 No key required to raise bollard
 (number of keys included: 2)

General Description:

The R-8471-RA Single Locking Retractable Bollard retracts fully below ground, closing flush to avoid obstruction and tripping hazards, and can only be locked in extended, upright position. A single key-locking mechanism ensures quick and easy access to restricted areas. The clean and versatile design is highly visible and available with alternative mountings (see removable and fixed models) for consistent aesthetics that suit any modern building or landscape. High-quality 316 grade stainless steel is powder coated for exceptional resistance to corrosion and weathering. Choose from 6 standard coating options and 1 of 4 colored reflector stripes.

For more information on bollard post installation, please visit:
www.reliance-foundry.com/bollard/installation-bollards

Specifications:

Height: 35 5/8"

Body Diameter: 4 1/2"

Weight: 24 lbs

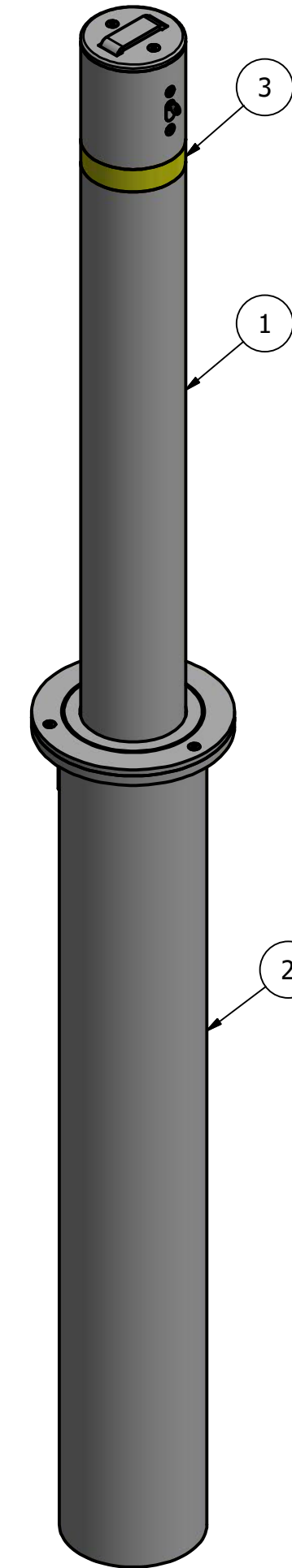
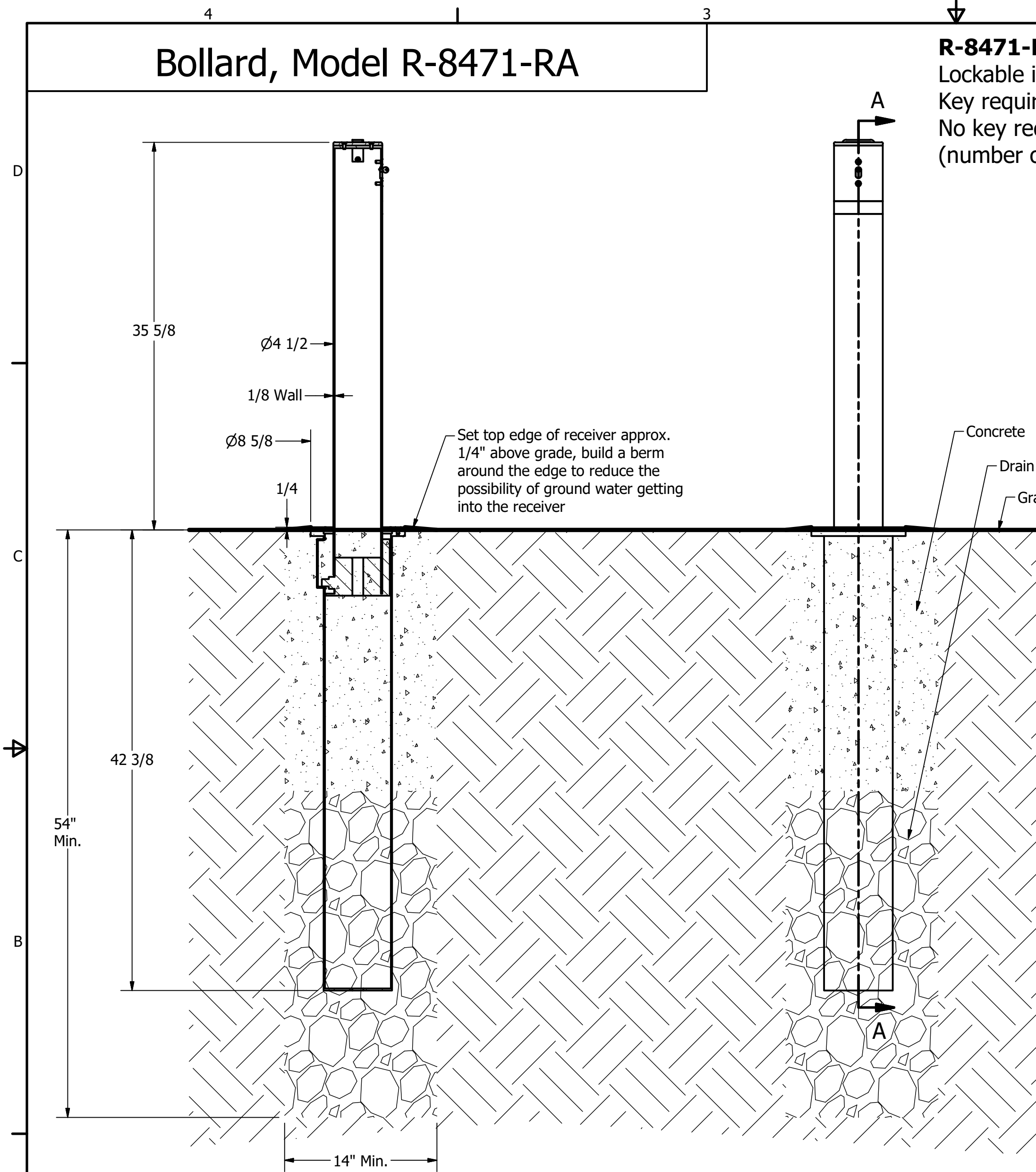
Material: Stainless Steel 316

Finish: Polyester Powder Coated

See Reliance Foundry's standard color options at
www.reliance-foundry.com/bollard/colors-bollards

Reflective Tape Options:

- ⊙ Yellow
- White
- Red
- Blue
- None



Notes:

SECTION A-A

- Embedment details are for reference illustration only. Minimum foundation sizes depend on local soil conditions, weather conditions, and engineering requirements.
- Bollard is provided as shown, with parts listed below. Concrete foundation and/or installation not provided by Reliance Foundry.
- This drawing is not drawn to scale. Dimensions provided herein is for reference only. Please consult Reliance Foundry sales professionals if any dimension is critical to your particular installation.
- Reliance Foundry reserves the right to amend design and specifications without prior notice for product improvement.

RELIANCE FOUNDRY
 SINCE 1925

Unit 207, 6450 - 148 Street, Surrey, BC V3S 7G7, Canada
 1-877-789-3245 info@reliance-foundry.com
www.reliance-foundry.com

TITLE

Bollard R-8471-RA

SIZE
C

DWG NO
R8471RA

REV
C1

COPYRIGHT RESERVED THIS PLAN DRAWING AND DESIGN ARE, AND AT ALL TIMES REMAIN, THE EXCLUSIVE PROPERTY OF RELIANCE FOUNDRY CO. LTD.

NOT TO SCALE

SHEET 1 OF 1