

Bollard, Model R-8471

R-8471

Lockable in Raised Position
 Key required to lower bollard
 No key required to raise bollard
 (number of keys included: 2)

General Description:

The R-8471 Single Locking Retractable Bollard retracts fully below ground, closing flush to avoid obstruction and tripping hazards, and can only be locked in extended, upright position. A single key-locking mechanism ensures quick and easy access to restricted areas. The clean and versatile design is highly visible and available with alternative mountings (see removable and fixed models) for consistent aesthetics that suit any modern building or landscape. High-quality 316 grade stainless steel with #6 satin finish features high resistance to corrosion and weathering. Posts ship standard with 1 of 4 colored reflector stripes.

For more information on bollard post installation, please visit:
www.reliance-foundry.com/bollard/installation-bollards

Specifications:

Height: 35 5/8"

Body Diameter: 4 1/2"

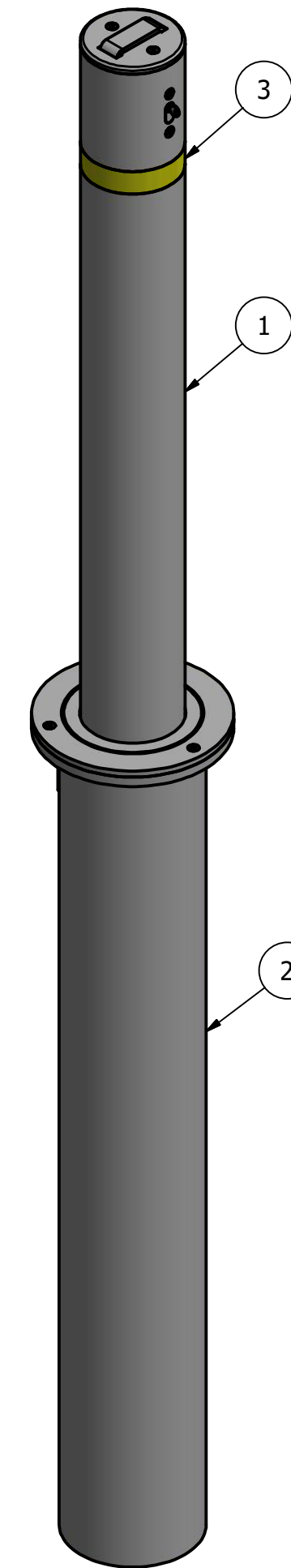
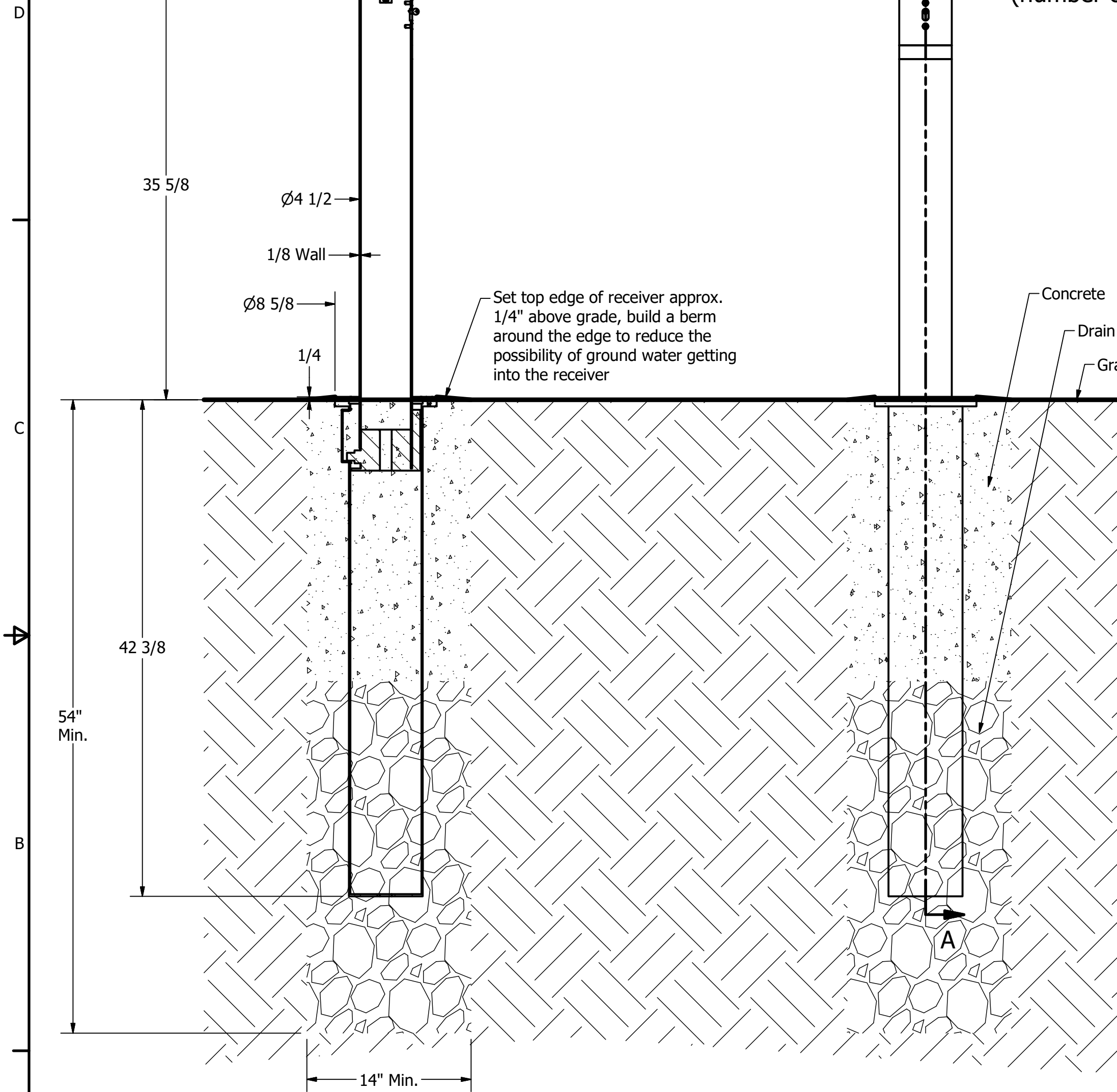
Weight: 24 lbs

Material: Stainless Steel 316

Finish: Satin Surface Finish Buffed No. 6

Reflective Tape Options:

- Yellow
- White
- Red
- Blue
- None



Notes:

SECTION A-A

- Embedment details are for reference illustration only. Minimum foundation sizes depend on local soil conditions, weather conditions, and engineering requirements.
- Bollard is provided as shown, with parts listed below. Concrete foundation and/or installation not provided by Reliance Foundry.
- This drawing is not drawn to scale. Dimensions provided herein is for reference only. Please consult Reliance Foundry sales professionals if any dimension is critical to your particular installation.
- Reliance Foundry reserves the right to amend design and specifications without prior notice for product improvement.

RELIANCE FOUNDRY
 SINCE 1925

Unit 207, 6450 - 148 Street, Surrey, BC V3S 7G7, Canada
 1-877-789-3245 info@reliance-foundry.com
www.reliance-foundry.com

PARTS LIST					
ITEM	QTY	PART NUMBER	DESCRIPTION	MATERIAL	WEIGHT
1	1	R8471	R8471 Retractable Bollard Assembly	Stainless Steel 316	24 lbs
2	1	R8471R	R8471R Retractable Bollard Receiver	Steel Hot Dip Galvanized w/ Stainless Steel Cover	37 lbs
3	1	Reflective Tape (Optional)	Optional Reflective Tape, Max. 1-1/8" Width	Plastic	

Bollard R-8471

TITLE	Bollard R-8471		REV	C1
SIZE	C	DWG NO	R8471	