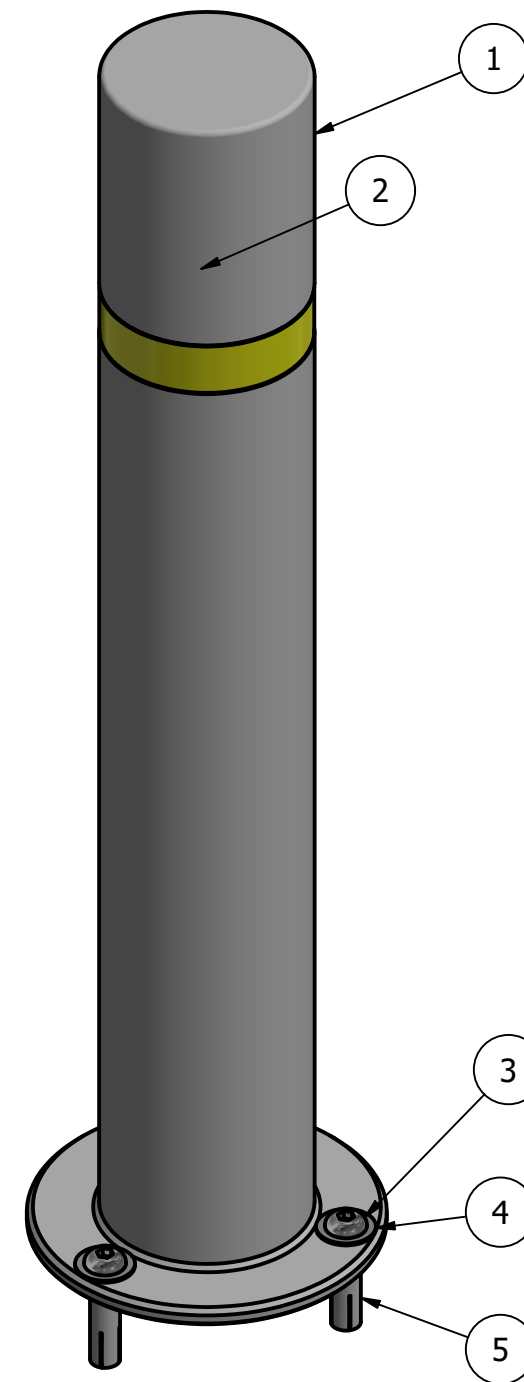
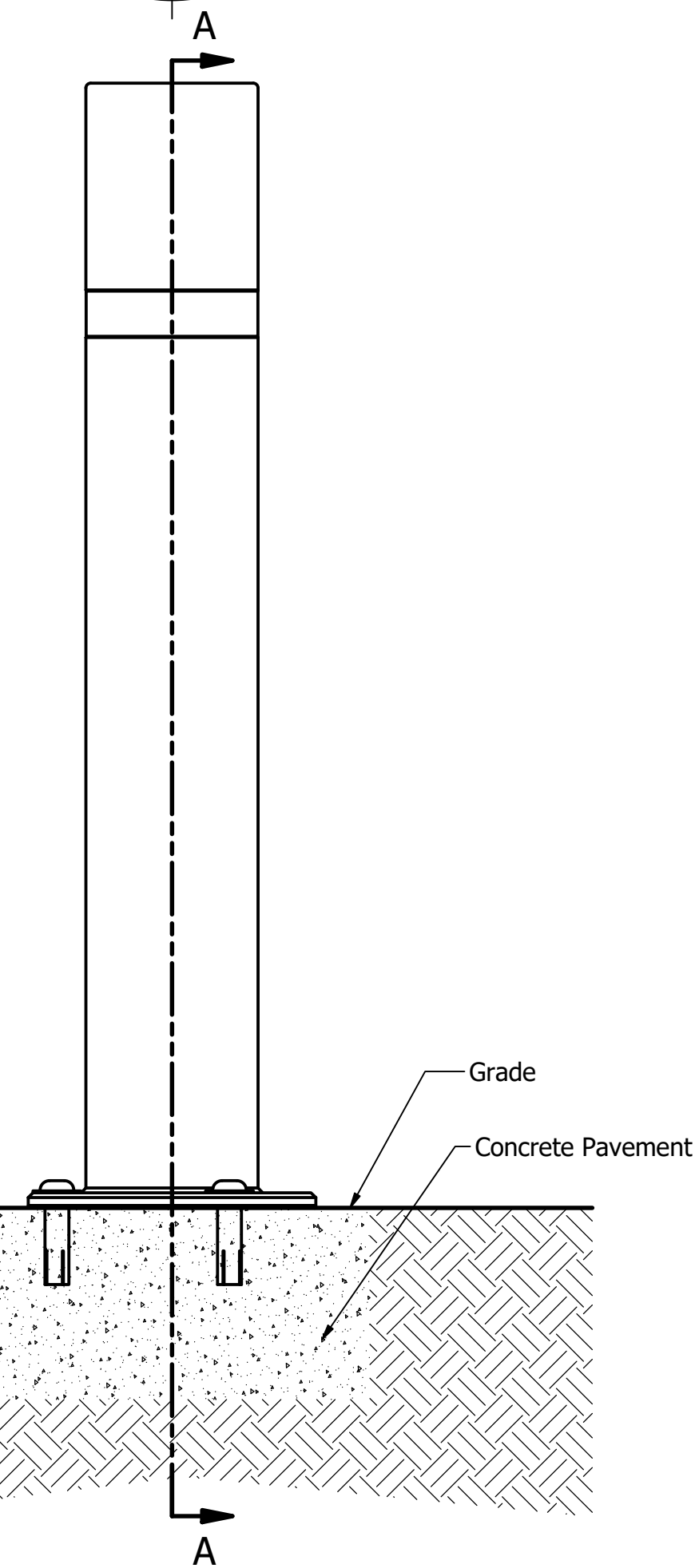
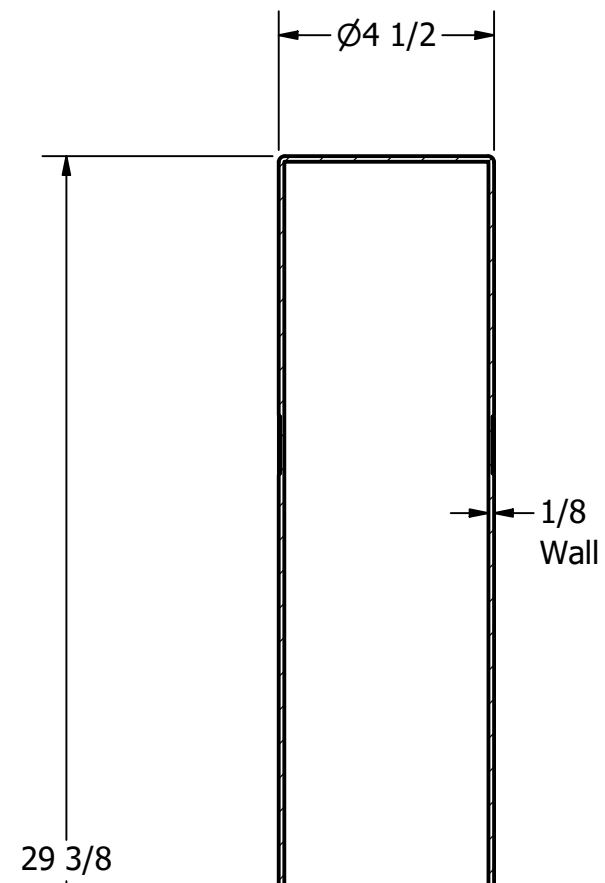
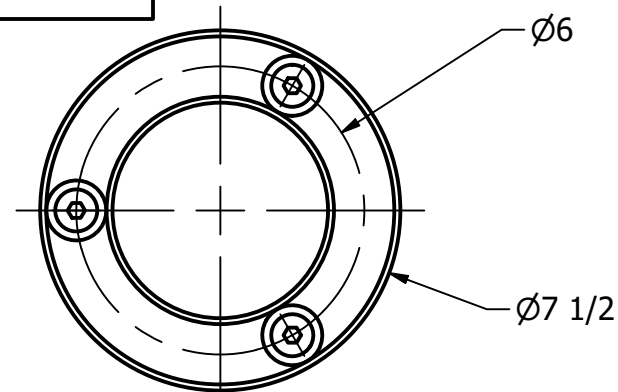


# Model R-8460-30-FL Flanged Mount



## General Description:

The R-8460-30-FL stainless steel bollard combines high visibility with a clean and versatile design, fitting consistently into the aesthetics of any structure or landscape. Made from corrosion-resistant 316 grade stainless steel with a #6 satin finish, this bollard stands 30 inches tall and features a flanged base for simple installation on pre-established concrete.

For more information on bollard post installation, please visit: [www.reliance-foundry.com/bollard/installation-bollards](http://www.reliance-foundry.com/bollard/installation-bollards)

## Specifications:

Height: 29 3/8"

Diameter: 4 1/2"

Flange Diameter: 7 1/2"

Weight: 20 lbs

Material: Stainless Steel 316

Finish: Satin Surface Finish Buffed No. 6

## Reflective Tape Options:

- Yellow
- White
- Red
- Blue
- None (Default)

## Notes:

### SECTION A-A

- Embedment details are for reference illustration only. Minimum foundation sizes depend on local soil conditions, weather conditions, and engineering requirements.
- Bollard is provided as shown, with parts listed below. Concrete foundation and/or installation not provided by Reliance Foundry.
- This drawing is not drawn to scale. Dimensions provided herein is for reference only. Please consult Reliance Foundry sales professionals if any dimension is critical to your particular installation.
- Reliance Foundry reserves the right to amend design and specifications without prior notice for product improvement.

PARTS LIST				
ITEM	QTY	PART NUMBER	DESCRIPTION	
1	1	R8460-30-FL	R8460 Flanged 30" Bollard	
2	1	Reflective Tape (Optional)	Optional Reflective Tape, Max. 1-1/8" Width	
3	3	Button Head Bolt 1/2" x 1 1/4"	Hexagon Socket Button Head Cap Bolt 1/2" x 1 1/4" - requires 5/16" hex key	
4	3	Stainless Steel Washer 1/2"	Stainless Steel Washer 1/2" OD 1 1/4" Thick .05"	
5	3	Drop-in Concrete Insert 1/2"	Drop-in Concrete Insert 1/2" - requires 5/8" x 2" hole (dia. x depth)	

**RELIANCE FOUNDRY**  
SINCE 1925

Unit 207, 6450 - 148 Street, Surrey, BC V3S 7G7, Canada  
1-877-789-3245 info@reliance-foundry.com  
[www.reliance-foundry.com](http://www.reliance-foundry.com)

TITLE

**Model R-8460-30-FL Flanged Mount**

SIZE  
C

DWG NO

**R8460-FL-30**

REV  
A03