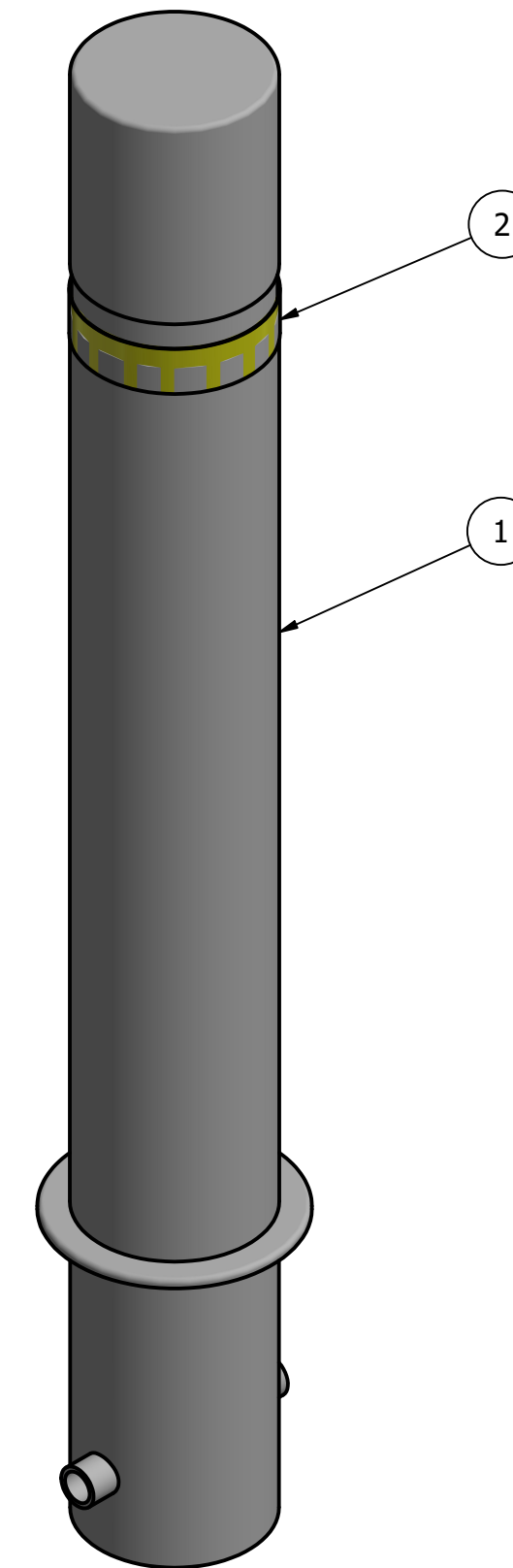
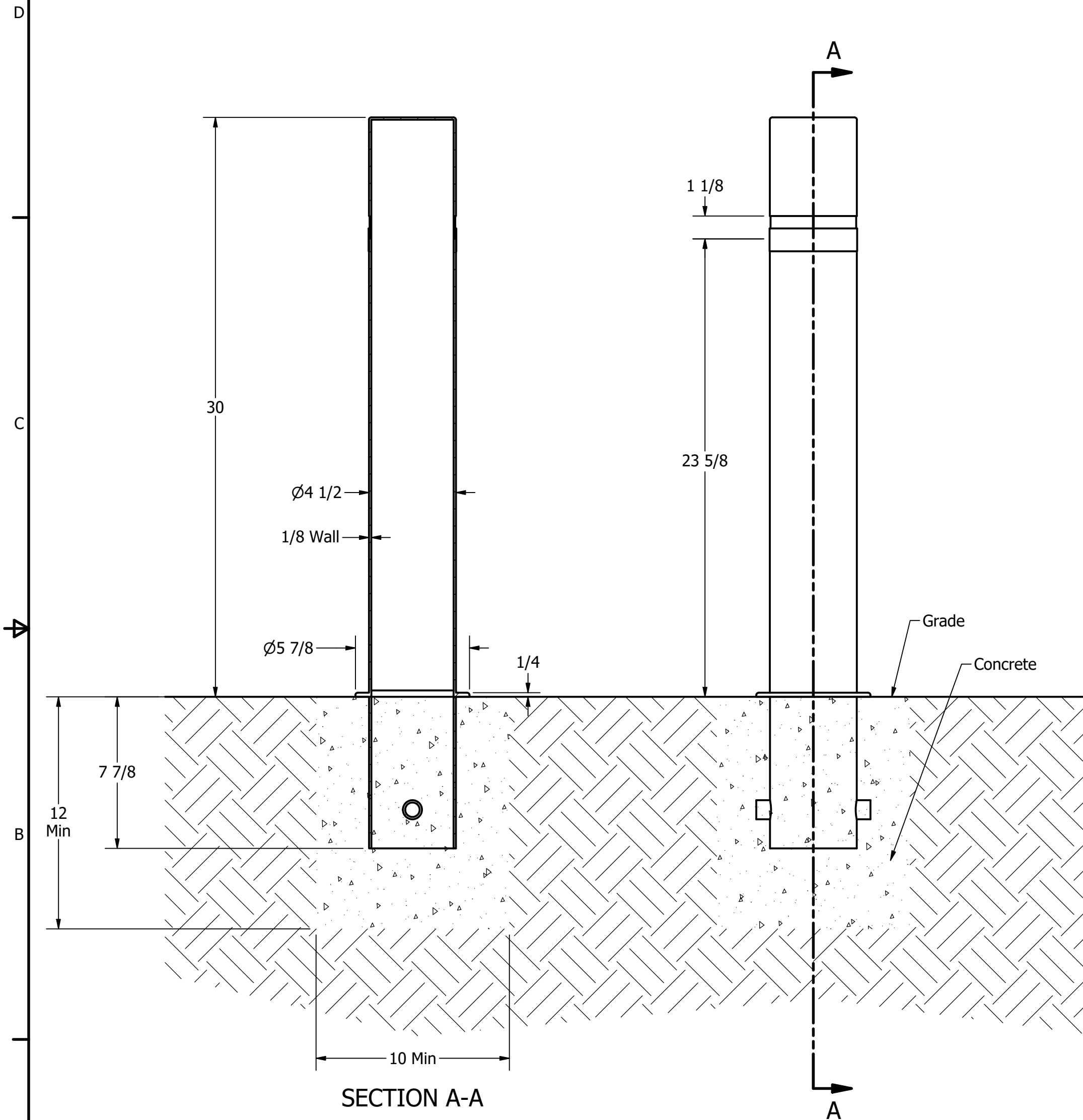


Bollard R-8460-30



General Description:

The R-8460-30-FL stainless steel bollard combines high visibility with a clean and versatile design, fitting consistently into the aesthetics of any structure or landscape. Made from corrosion-resistant 316 grade stainless steel with a #6 satin finish, this bollard stands 30 inches tall and features a flanged base for simple installation on pre-established concrete.

For more information on bollard post installation, please visit: www.reliance-foundry.com/bollard/installation-bollards

Specifications:

Height: 30"
 Diameter: 4 1/2"
 Flange Diameter: 5 7/8"
 Weight: 18 lbs
 Material: Stainless Steel 316
 Finish: Satin Surface Finish Buffed No. 6

Reflective Tape Options:

- Yellow
- White
- Red
- Blue
- None (Default)

Installation Options:

- Embedded in New Concrete (see sheet 1 of 2)
- Flanged - Surface Mounted to Existing Concrete (see sheet 2 of 2)

Notes:

- Embedment details are for reference illustration only. Minimum foundation sizes depend on local soil conditions, weather conditions, and engineering requirements.
- Bollard is provided as shown, with parts listed below. Concrete foundation and/or installation not provided by Reliance Foundry.
- This drawing is not drawn to scale. Dimensions provided herein is for reference only. Please consult Reliance Foundry sales professionals if any dimension is critical to your particular installation.
- Reliance Foundry reserves the right to amend design and specifications without prior notice for product improvement.

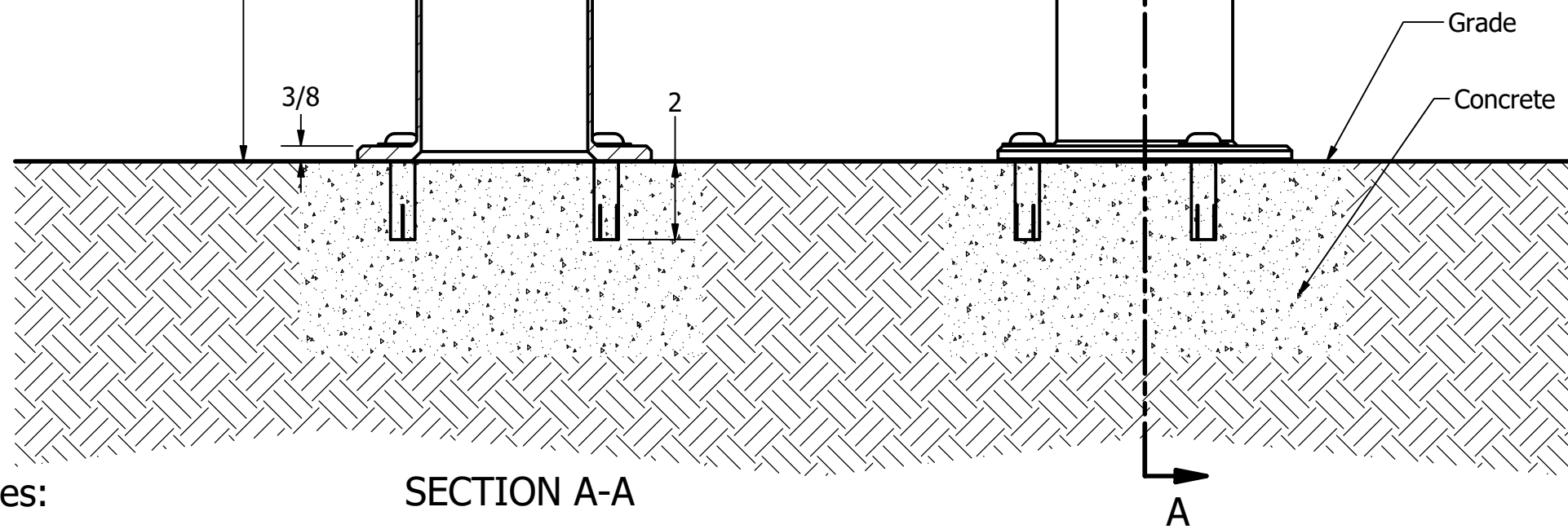
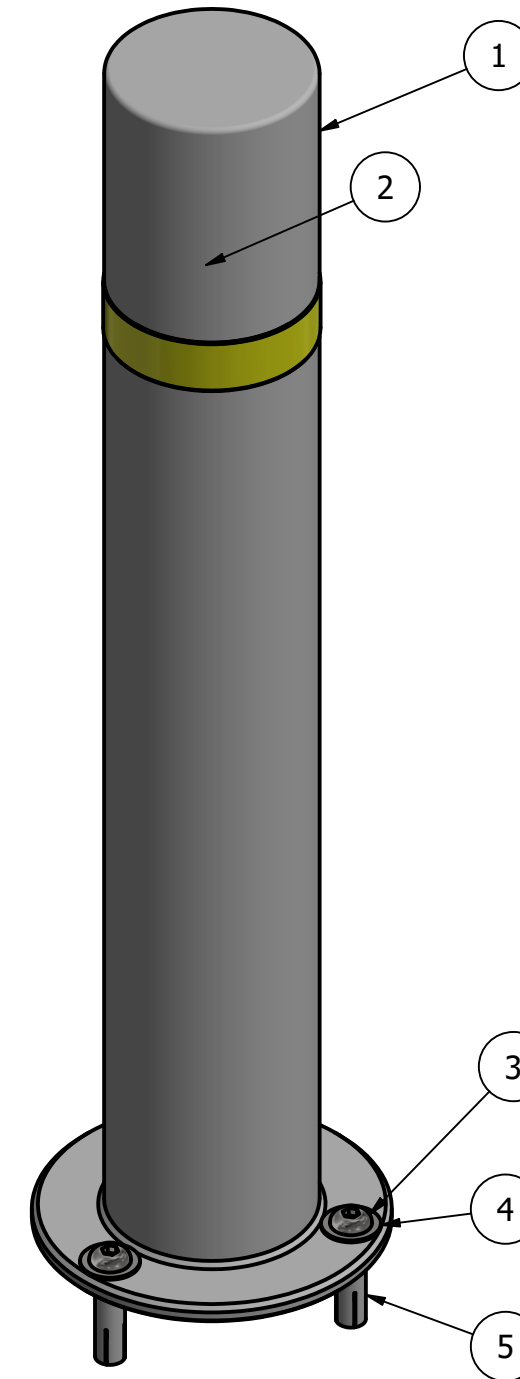
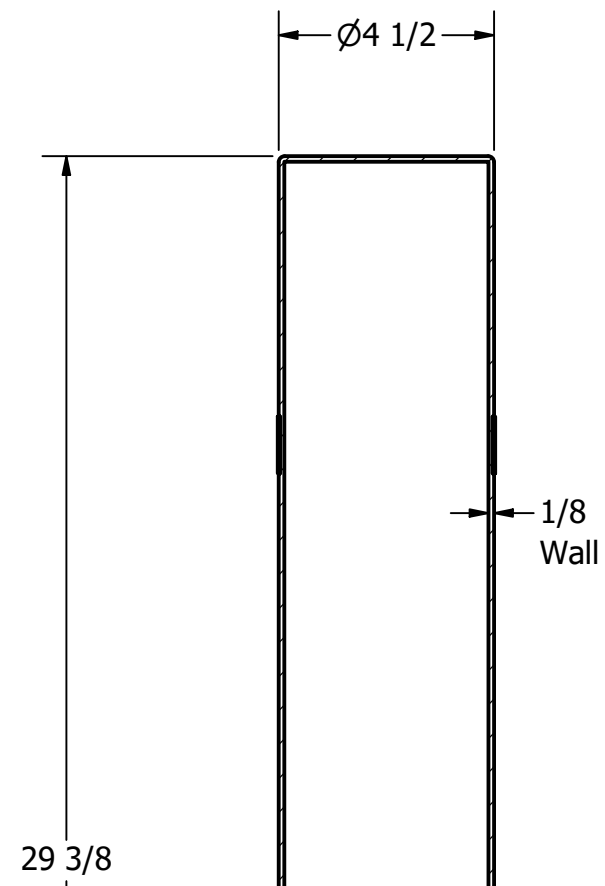
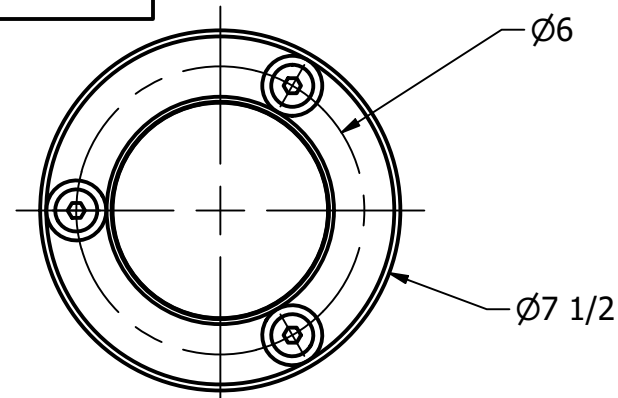
PARTS LIST					
ITEM	QTY	PART NUMBER	DESCRIPTION	MATERIAL	WEIGHT
1	1	R8460-30	R8460 Fixed 30" Bollard	Stainless Steel 316	18 lbs
2	1	Reflective Tape (Optional)	Optional Reflective Tape, Max. 1-1/8" Width	Plastic	

RELIANCE FOUNDRY
 SINCE 1925

Unit 207, 6450 - 148 Street, Surrey, BC V3S 7G7, Canada
 1-877-789-3245 info@reliance-foundry.com
www.reliance-foundry.com

TITLE			
Bollard R-8460-30			
SIZE	DWG NO	REV	
C	R8460-30_public	A03	

Bollard R-8460-30



General Description:

The R-8460-30-FL stainless steel bollard combines high visibility with a clean and versatile design, fitting consistently into the aesthetics of any structure or landscape. Made from corrosion-resistant 316 grade stainless steel with a #6 satin finish, this bollard stands 30 inches tall and features a flanged base for simple installation on pre-established concrete.

For more information on bollard post installation, please visit: www.reliance-foundry.com/bollard/installation-bollards

Specifications:

Height: 29 3/8"
 Diameter: 4 1/2"
 Flange Diameter: 7 1/2"
 Weight: 20 lbs
 Material: Stainless Steel 316
 Finish: Satin Surface Finish Buffed No. 6

Reflective Tape Options:

- Yellow
- White
- Red
- Blue
- None (Default)

Installation Options:

- Embedded in New Concrete (see sheet 1 of 2)
- Flanged - Surface Mounted to Existing Concrete (see sheet 2 of 2)

Notes:

- Embedment details are for reference illustration only. Minimum foundation sizes depend on local soil conditions, weather conditions, and engineering requirements.
- Bollard is provided as shown, with parts listed below. Concrete foundation and/or installation not provided by Reliance Foundry.
- This drawing is not drawn to scale. Dimensions provided herein is for reference only. Please consult Reliance Foundry sales professionals if any dimension is critical to your particular installation.
- Reliance Foundry reserves the right to amend design and specifications without prior notice for product improvement.

SECTION A-A

PARTS LIST

ITEM	QTY	PART NUMBER	DESCRIPTION	MATERIAL	MASS
1	1	R8460-30-FL	R8460 Flanged 30" Bollard	Stainless Steel 316	20 lbs
2	1	Reflective Tape (Optional)	Optional Reflective Tape, Max. 1-1/8" Width	Plastic	
3	3	Button Head Bolt 1/2" x 1 1/4"	Hexagon Socket Button Head Cap Bolt 1/2" x 1 1/4" - requires 5/16" hex key	Stainless Steel	
4	3	Stainless Steel Washer 1/2"	Stainless Steel Washer 1/2" OD 1 1/4" Thick .05"	Stainless Steel	
5	3	Drop-in Concrete Insert 1/2"	Drop-in Concrete Insert 1/2" - requires 5/8" x 2" hole (dia. x depth)	Stainless Steel	

RELIANCE FOUNDRY
 SINCE 1925

Unit 207, 6450 - 148 Street, Surrey, BC V3S 7G7, Canada
 1-877-789-3245 info@reliance-foundry.com
www.reliance-foundry.com

Bollard R-8460-30

SIZE	DWG NO	REV
C	R8460-30_public	A03