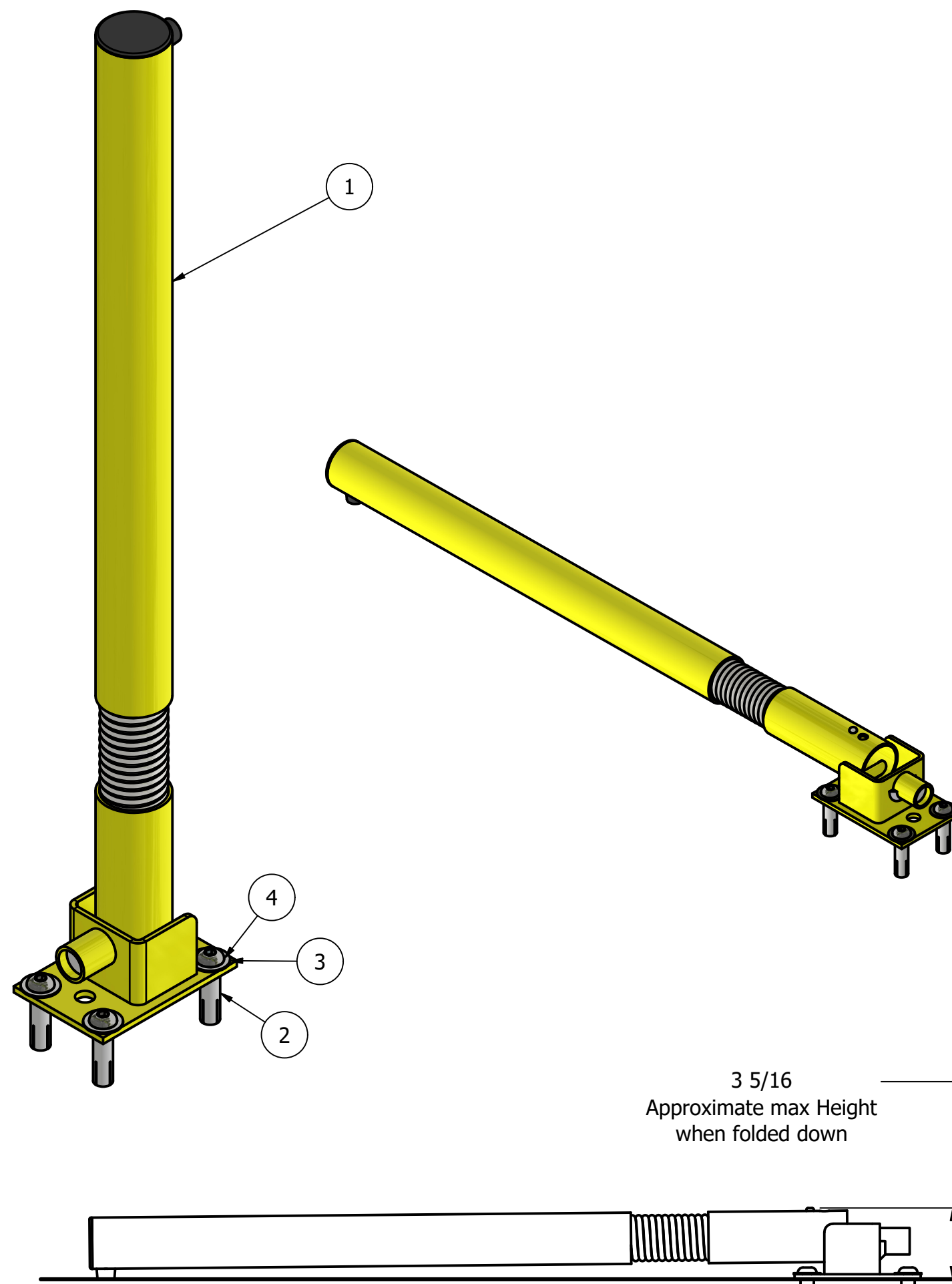
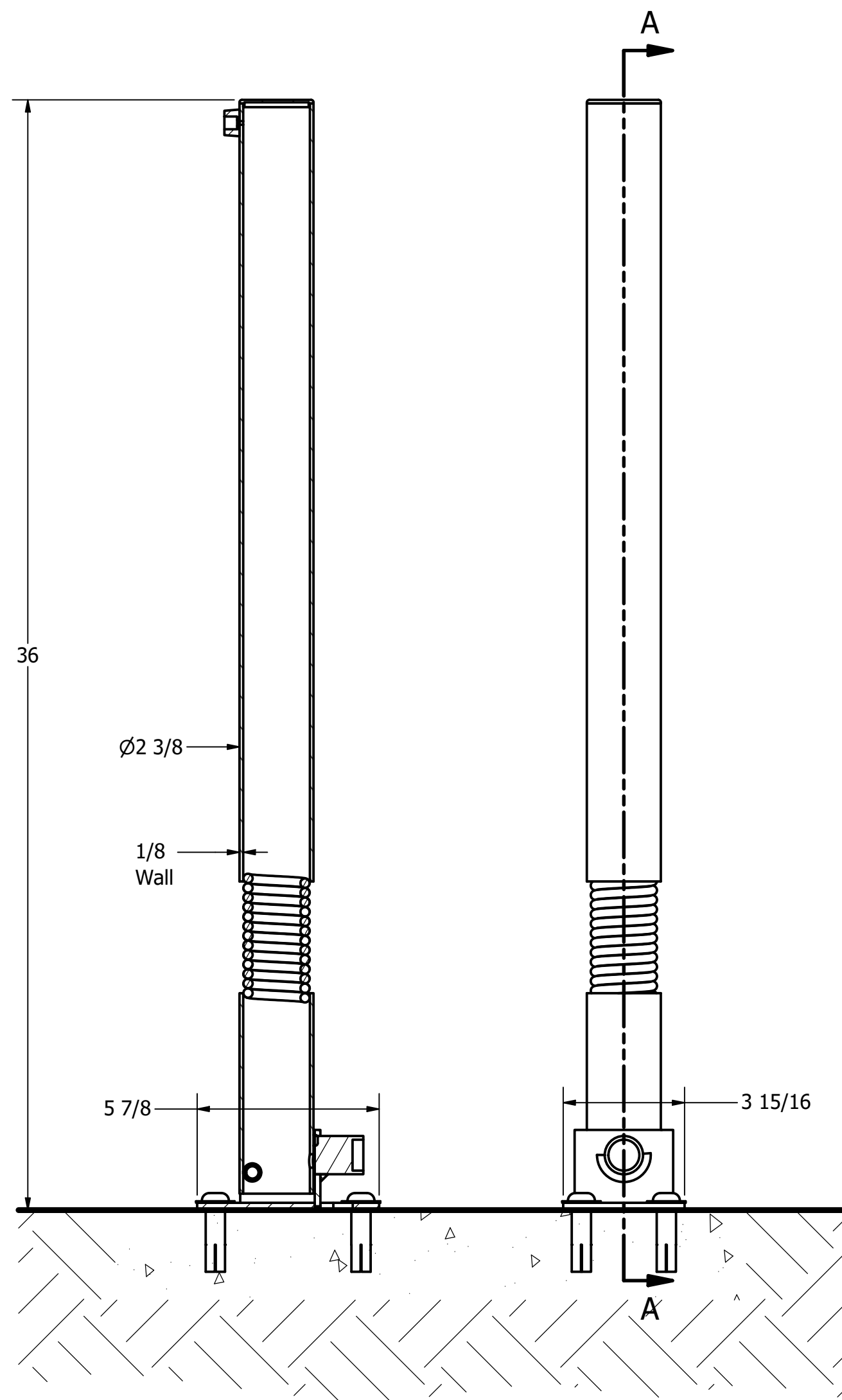


R-8432 Spring Fold Down Bollard

Number of keys included: 2



General Description:

Part of our Rebound series, the carbon steel R-8432 features a unique folding mechanism that allows it to be quickly collapsed when needed, while the 316 stainless steel spring provides the R-8432 with controlled movement on impact. The bollard's internal locking mechanism requires no additional hardware to fold down; simply turn the key and it smoothly and securely folds down to ground level.

For more information on bollard post installation, please visit: www.reliance-foundry.com/bollard/installation-bollards

Specifications:

- Height: 36"
- Body Diameter: 2 3/8"
- Base Diameter: 5 7/8" x 3 15/16"
- Weight: 12 1/2 lbs
- Material: Steel Body with Stainless Steel 316 Spring
- Finish: Powder Coated Yellow

Notes:

- Embedment details are for reference illustration only. Minimum foundation sizes depend on local soil conditions, weather conditions, and engineering requirements.
- Bollard is provided as shown, with parts listed below. Concrete foundation and/or installation not provided by Reliance Foundry.
- This drawing is not drawn to scale. Dimensions provided herein is for reference only. Please consult Reliance Foundry sales professionals if any dimension is critical to your particular installation.
- Reliance Foundry reserves the right to amend design and specifications without prior notice for product improvement.

PARTS LIST						
ITEM	QTY	PART NUMBER	DESCRIPTION	MATERIAL	WEIGHT	
1	1	R-8432	Spring Fold Down Bollard	Steel	12 1/2 lbs	
2	4	Drop-in Concrete Insert 1/2"	Drop-in Concrete Insert 1/2" - requires 5/8" x 2" hole (dia. x depth)	Steel Plated	1/8 lbs	
3	4	Stainless Steel Washer 1/2"	Stainless Steel Washer 1/2" OD 1 1/4" Thick .05"	Stainless Steel		
4	4	Button Head Bolt 1/2" x 1 1/4"	Hexagon Socket Button Head Cap Bolt 1/2" x 1 1/4" - requires 5/16" hex key	Stainless Steel	1/8 lbs	

RELIANCE FOUNDRY
SINCE 1925

Unit 207, 6450 - 148 Street, Surrey, BC V3S 7G7, Canada
1-877-789-3245 info@reliance-foundry.com
www.reliance-foundry.com

TITLE
R-8432 Spring Fold Down Bollard

SIZE: C DWG NO: R-8432_public REV: A04