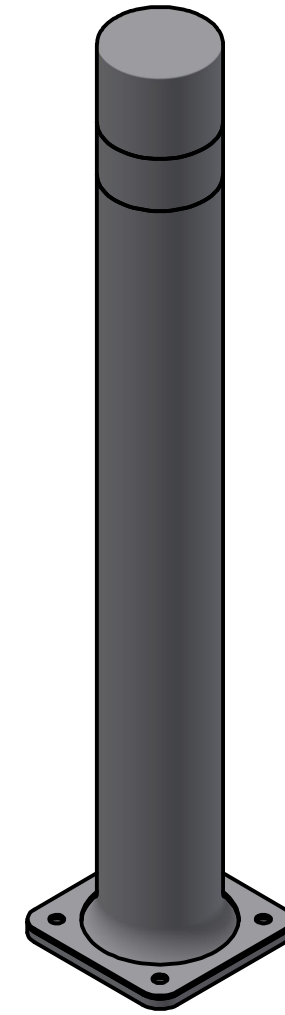
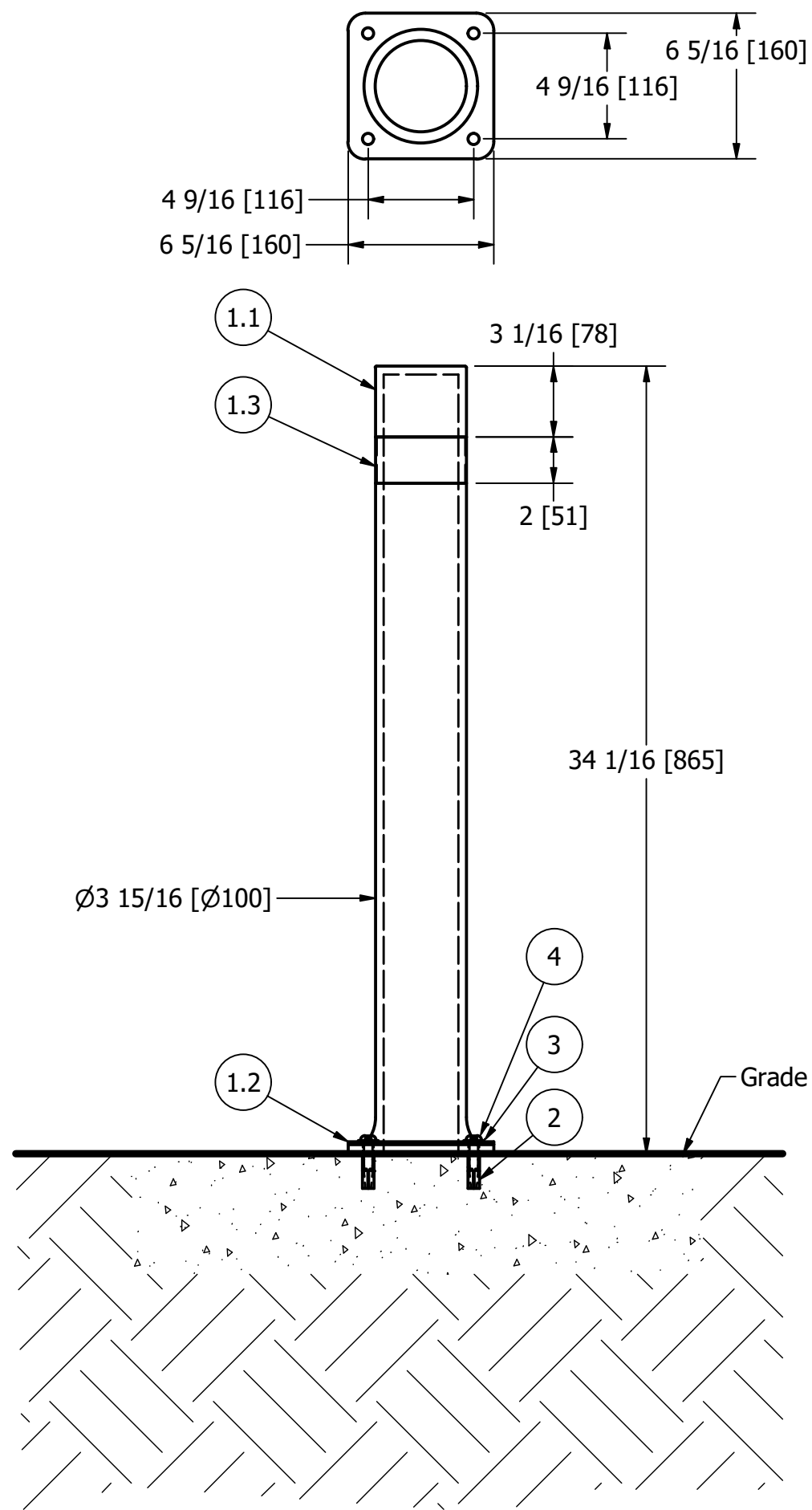


Flexible Bollard, R-8323-FL

Drop-in Anchor Installation:

- 1) Use a carbide tip drill bit (conforming to ANSI B 212.15) to drill 1/2" x 1 1/2" hole (dia. x depth)
- 2) Clean drilled hole of debris
- 3) Insert anchor into drilled hole
- 4) Use hammer and proper setting tool* (for 3/8" Drop-In Anchor from UCAN) to drive plug down
- 5) Fasten button head screw (Maximum torque 10 ft x lbf)

* Substitute a narrow punch tool at installer's risk



General Description:

The R-8323-FL Flexible Bollard, with a bolt-down flange base, offers exceptional resilience and safety. Made from polyurethane, it absorbs impacts, bending up to 90 degrees, and is designed to withstand vehicle collisions over 80 km/h. It meets REACH environmental standards, features Class E fire resistance, and maintains integrity for over 2,000 bending cycles. Available in three colors with an optional reflective stripe, it enhances visibility and safety, perfect for busy urban settings.

Specifications:

Total Height: 34 1/4" [865]

Diameter: 3 15/16" [100]

Weight: 7 lbs [3.2 kg]

Material: polyurethane

Color Options:

- Black
- Red
- Green

Notes:

- Embedment details are for reference illustration only. Minimum foundation sizes depend on local soil conditions, weather conditions and engineering requirements.
- Concrete foundation and/or installation not provided by Reliance Foundry.
- This drawing is not drawn to scale. Dimensions provided herein are for reference only. Please consult Reliance Foundry sales professionals if any dimension is critical to your particular installation.
- Reliance Foundry reserves the right to amend design and specifications without prior notice for product improvement.

PARTS LIST

ITEM	QTY	PART NUMBER	DESCRIPTION	MATERIAL	WEIGHT (lbs)
1	1	R8323FL ASM	R8323 FL FLEXible Bollard Assembly	-	-
1.1	-	R8323FL	R8323FL Flexible Bollard	Polyurethane	7
1.2	-	R8320-1	R8320-1 Decorative Plate	Stainless Steel	5/8
1.3	-	R8320-2	Reflective Tape	-	-
2	4	Drop-in Concrete Insert 3/8"	Drop-in Concrete Insert 3/8" -requires 1/2" x 1 1/2" hole (dia. x depth)	Steel Plated	-
3	4	Stainless Steel Washer 3/8"	Stainless Steel Washer 3/8" OD 7/8" Thick 0.05"	Stainless Steel	-
4	4	Button Head Bolt 3/8" x 1 1/4"	Hexagon Socket Button Head cap Bolt 3/8" x 1 1/4" - Requires 7/32" hex key	Stainless Steel	-

RELIANCE FOUNDRY
SINCE 1925

Unit 207, 6450 - 148 Street, Surrey, BC V3S 7G7, Canada
1-877-789-3245 info@reliance-foundry.com
www.reliance-foundry.com

TITLE
Flexible Bollard, R-8323-FL

SIZE: C DWG NO: R8323FL_public REV: A04

NOT TO SCALE UNLESS OTHERWISE SPECIFIED: DIMS ARE IN INCHES [MILLIMETERS] SHEET 1 OF 1