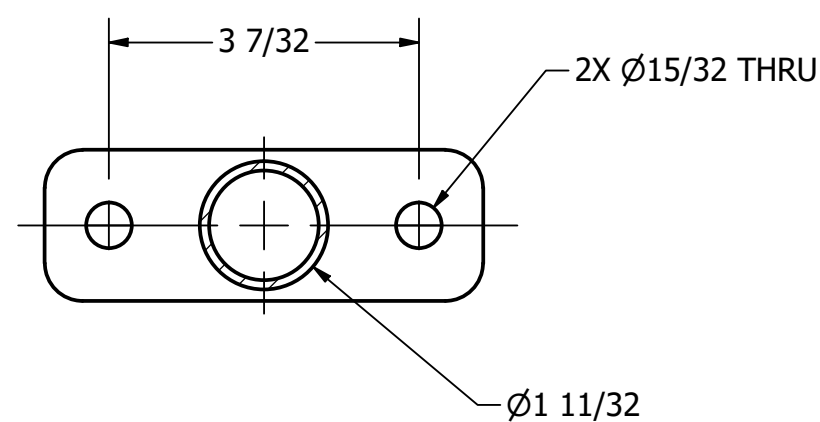
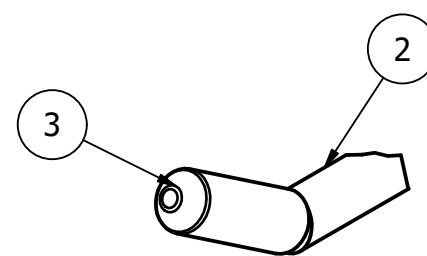


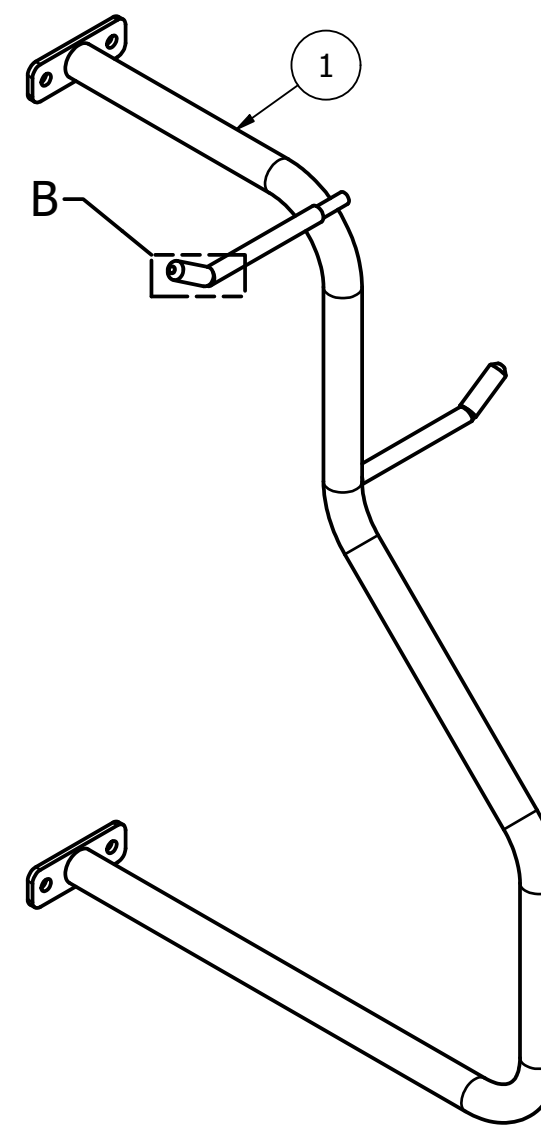
WALL MOUNTED BIKE RACK, R-8261



SECTION A-A
SCALE 1 / 2
2 PLACES



DETAIL B
SCALE 1 / 2



General Description:

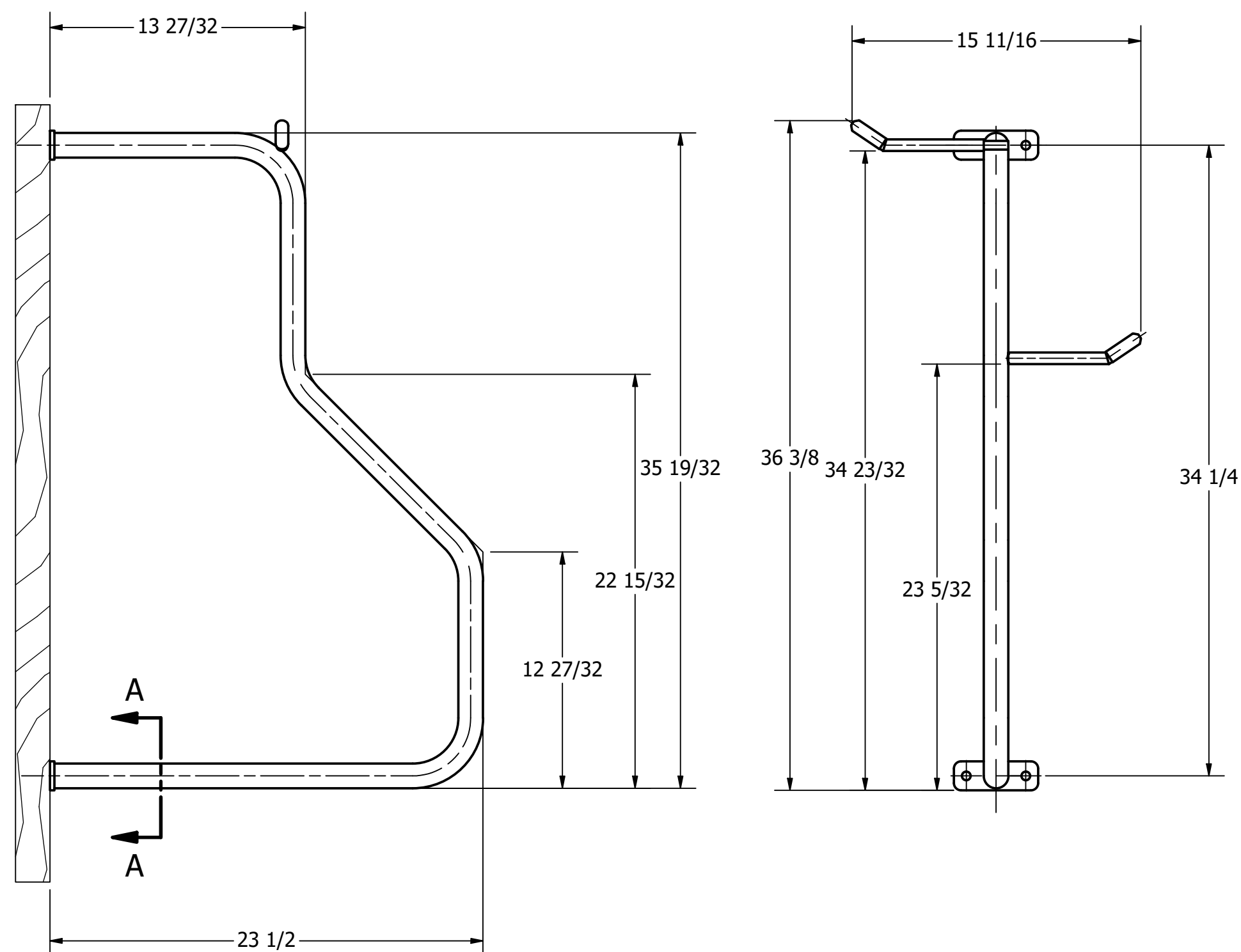
Save space while providing secure bike storage with the R-8261 wall-mounted bike rack. Each wall bike rack can hold 2 bikes; install in series for a high-capacity bike corral. The R-8261 bike wall mount is composed of steel and powder-coated black for strength and resistance to corrosion and wear. It will remain functional and attractive over a long service life, even with heavy use.

Specifications:

Height : 36 3/8
Weight : 9.42lbs(4.27kg)

Finish :

⊙ Black Powdercoated



Notes:

1. Embedment details are for reference illustration only. Minimum foundation sizes depend on local soil and weather conditions, and engineering requirements.
2. This drawing is not drawn to scale. Dimensions provided herein is for reference only. Please consult Reliance Foundry sales professionals if any dimension is critical to your particular installation.
3. Reliance Foundry reserves the right to amend design and specifications without prior notice for product improvement.

PARTS LIST

ITEM	QTY	PART NUMBER	DESCRIPTION	MATERIAL
1	1	R8261-001	FRAME, WALL MOUNTEDBIKE RACK	Steel
2	2	R8261-002	SLEEVE, HOOKHANGER HOOK	Polyethylene, Low Density
3	2	R8261-003	END CAP, WALL MOUNTED BIKE RACK	PLASTIC

RELIANCE FOUNDRY
SINCE 1925

Unit 207, 6450 - 148 Street, Surrey, BC V3S 7G7, Canada
1-877-789-3245 info@reliance-foundry.com
www.reliance-foundry.com

TITLE

**WALL MOUNTED BIKE RACK,
R-8261**

SIZE
C

DWG NO
R8261-00

REV
A00