

Bike Rack, Model R-8246-EM-SS

General Description:

The R-8246-EM-SS Stainless Steel Bike Rack features a unique fin-shape design. R-8246-EM-SS Bike Racks are made from high-quality 316 stainless steel, providing modern style with resistance to corrosion and wear. Install in new concrete with embedded in-ground mountings.

Specifications:

Height: 33"

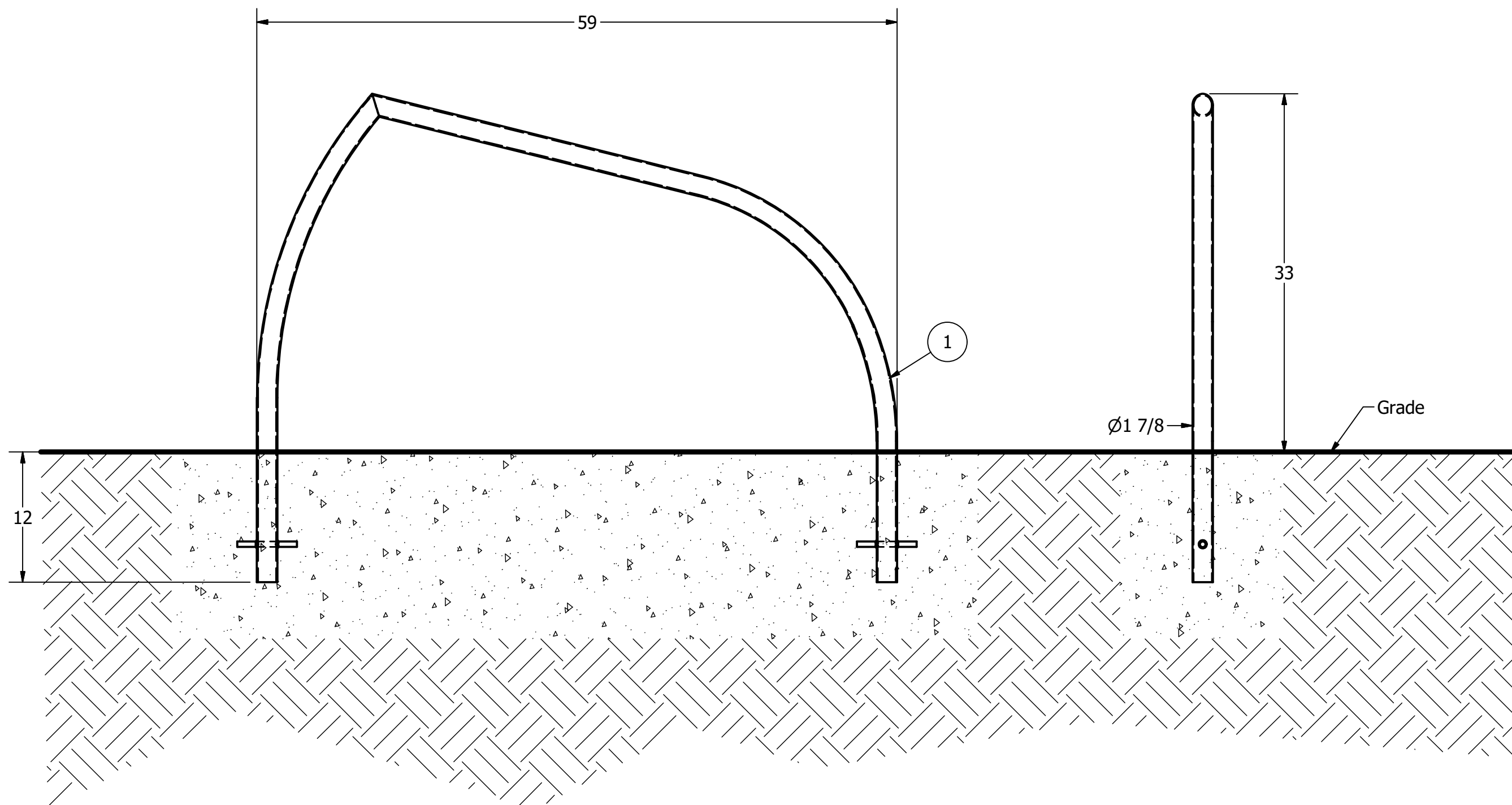
Cross Span: 59"

Weight: 25 lbs

Material: Stainless Steel AISI 316

Finish Options:

- ⊙ Polished with a satin surface finish
 - Available polyester powdercoated option
- See Reliance Foundry's standard color options at www.reliance-foundry.com/bollard/colors-bollards



Notes:

- Embedment details are for reference illustration only. Minimum foundation sizes depend on local soil conditions, weather conditions and engineering requirements.
- Bike rack is provided as shown with parts listed below. Concrete foundation and/or installation not provided by Reliance Foundry.
- This drawing is not drawn to scale. Dimensions provided herein are for reference only. Please consult Reliance Foundry sales professionals if any dimension is critical to your particular installation.
- Reliance Foundry reserves the right to amend design and specifications without prior notice for product improvement.

RELIANCE FOUNDRY
— SINCE 1925 —

Unit 207, 6450 - 148 Street, Surrey, BC V3S 7G7, Canada
1-877-789-3245 info@reliance-foundry.com
www.reliance-foundry.com

TITLE

Bike Rack, Model R-8246-EM-SS

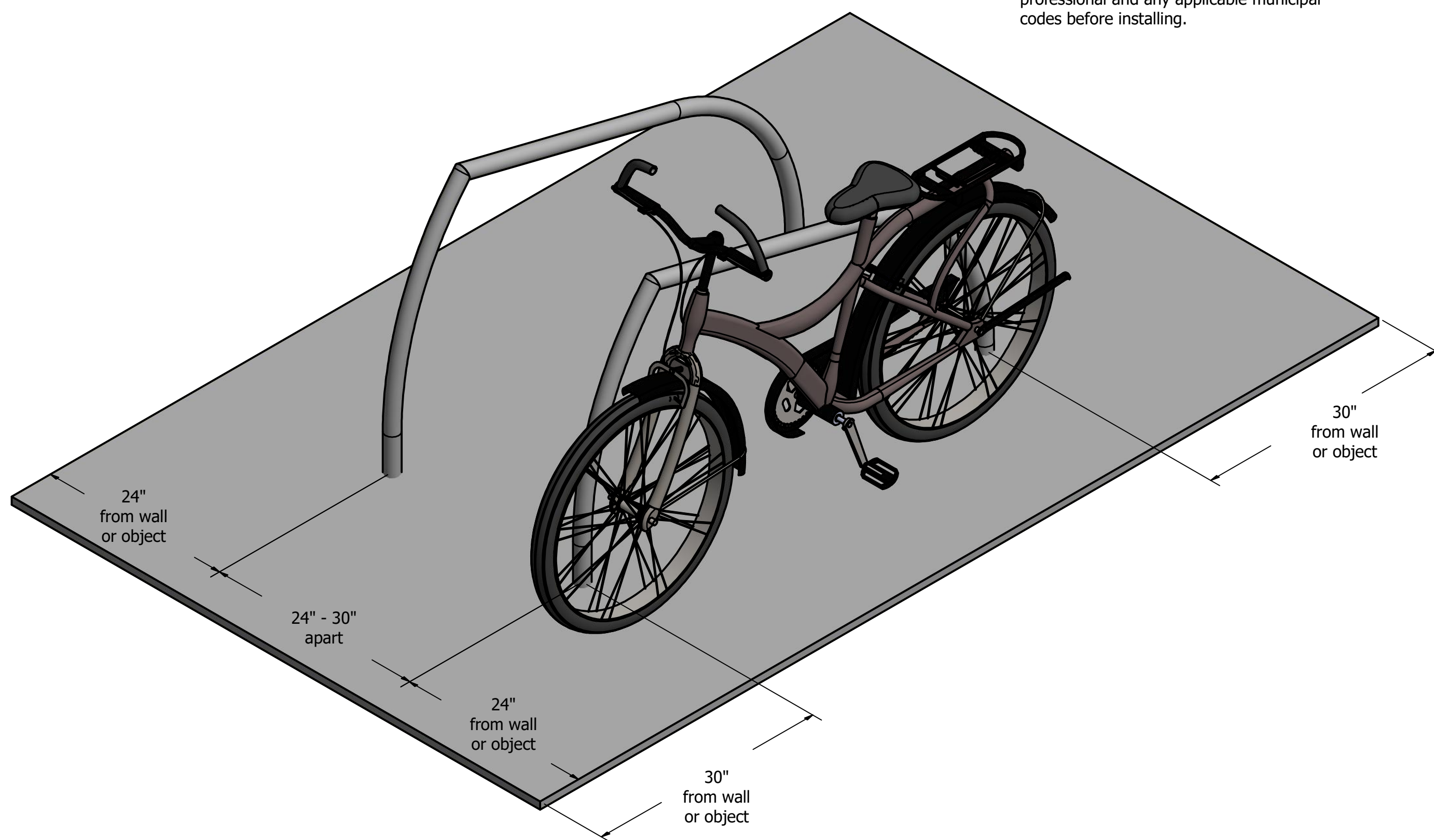
PARTS LIST					
ITEM	QTY	PART NUMBER	DESCRIPTION	MATERIAL	WEIGHT
1	1	R8246EMSS	Bike Rack R8246EMSS	Stainless Steel 316	25 lbs

SIZE C	DWG NO R8246EMSS	REV C
------------------	----------------------------	-----------------

Bike Rack, Model R-8246-EM-SS

Bike Rack Spacing

Spacing dimensions are only example suggestions and may not be suitable for specific locations. Dimensions do not account for walkways or other space considerations. Be sure to consult a design professional and any applicable municipal codes before installing.



General Description:

The R-8246-EM-SS Stainless Steel Bike Rack features a unique fin-shape design. R-8246-EM-SS Bike Racks are made from high-quality 316 stainless steel, providing modern style with resistance to corrosion and wear. Install in new concrete with embedded in-ground mountings.

Specifications:

Height: 33"

Cross Span: 59"

Weight: 25 lbs

Material: Stainless Steel AISI 316

Finish Options:

- Polished with a satin surface finish
 - Available polyester powdercoated option
- See Reliance Foundry's standard color options at www.reliance-foundry.com/bollard/colors-bollards

RELIANCE FOUNDRY
SINCE 1925

Unit 207, 6450 - 148 Street, Surrey, BC V3S 7G7, Canada
1-877-789-3245 info@reliance-foundry.com
www.reliance-foundry.com

TITLE

Bike Rack, Model R-8246-EM-SS

SIZE	DWG NO	REV
C	R8246EMSS	C

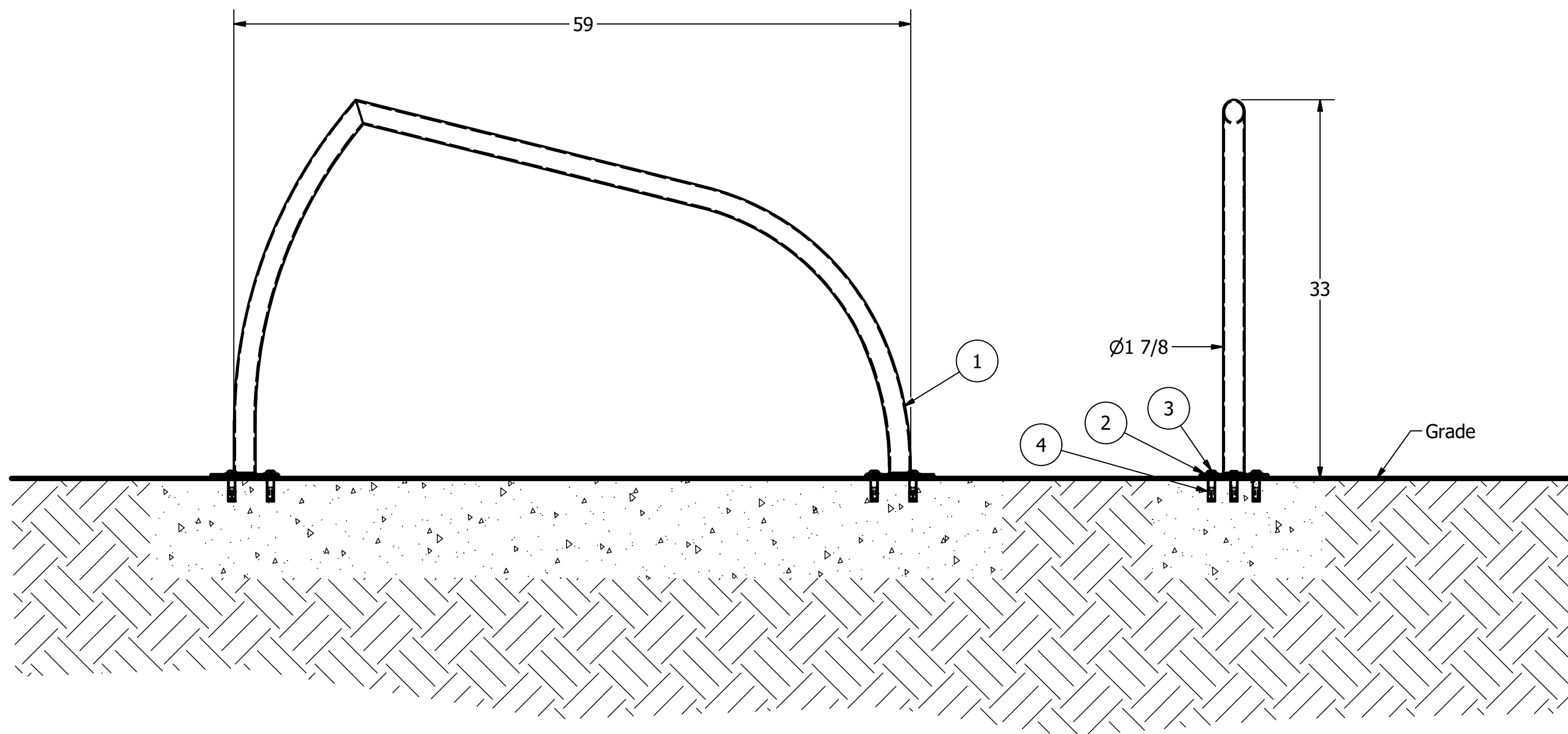
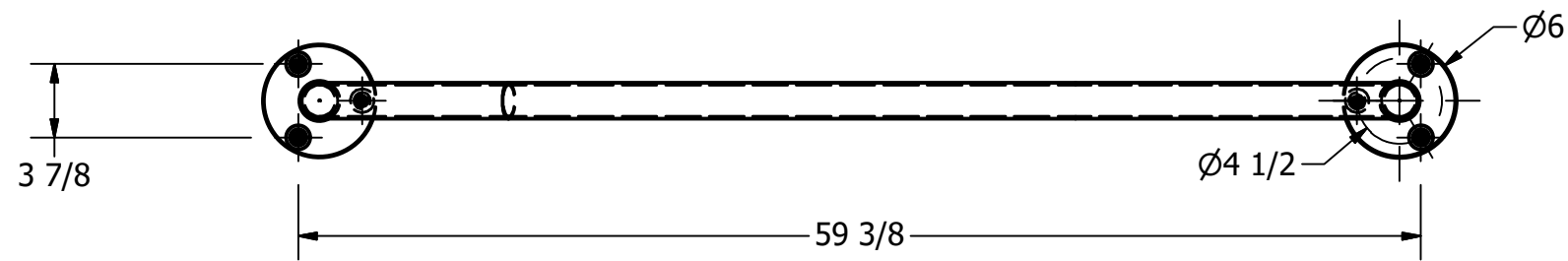
NOT TO SCALE SHEET 2 OF 2

Bike Rack, Model R-8246-FL-SS

Drop-in Anchor Installation:

- 1) Use a carbide tip drill bit (conforming to ANSI B 212.15) to drill 5/8" x 2" hole (dia. x depth)
- 2) Clean drill hole of debris
- 3) Insert anchor into drill hole
- 4) Use hammer and proper setting tool* (for 1/2" Drop-In Anchor from UCAN) to drive plug down
- 5) Fasten button head screw (Maximum torque 22 ft x lbf)

* Substitute a narrow punch tool at installer's risk



General Description:

The R-8246-FL-SS Stainless Steel Bike Rack features a unique fin-shape design. R-8246-FL-SS Bike Racks are made from high-quality 316 stainless steel, providing modern style with resistance to corrosion and wear. Flanged base is easy to install in existing concrete with drop-in anchors.

Specifications:

Height: 33"

Cross Span: 59"

Weight: 25 lbs

Material: Stainless Steel AISI 316

Finish Options:

- ☉ Polished with a satin surface finish
 - Available polyester powdercoated option
- See Reliance Foundry's standard color options at www.reliance-foundry.com/bollard/colors-bollards

Notes:

- Embedment details are for reference illustration only. Minimum foundation sizes depend on local soil conditions, weather conditions and engineering requirements.
- Bike rack is provided as shown with parts listed below. Concrete foundation and/or installation not provided by Reliance Foundry.
- This drawing is not drawn to scale. Dimensions provided herein are for reference only. Please consult Reliance Foundry sales professionals if any dimension is critical to your particular installation.
- Reliance Foundry reserves the right to amend design and specifications without prior notice for product improvement.

RELIANCE FOUNDRY
SINCE 1925

Unit 207, 6450 - 148 Street, Surrey, BC V3S 7G7, Canada
1-877-789-3245 info@reliance-foundry.com
www.reliance-foundry.com

TITLE

Bike Rack, Model R-8246-FL-SS

SIZE
C

DWG NO

R8246FLSS

REV
C

COPYRIGHT RESERVED THIS PLAN DRAWING AND DESIGN ARE, AND AT ALL TIMES REMAIN, THE EXCLUSIVE PROPERTY OF RELIANCE FOUNDRY CO. LTD.

NOT TO SCALE

SHEET 1 OF 2

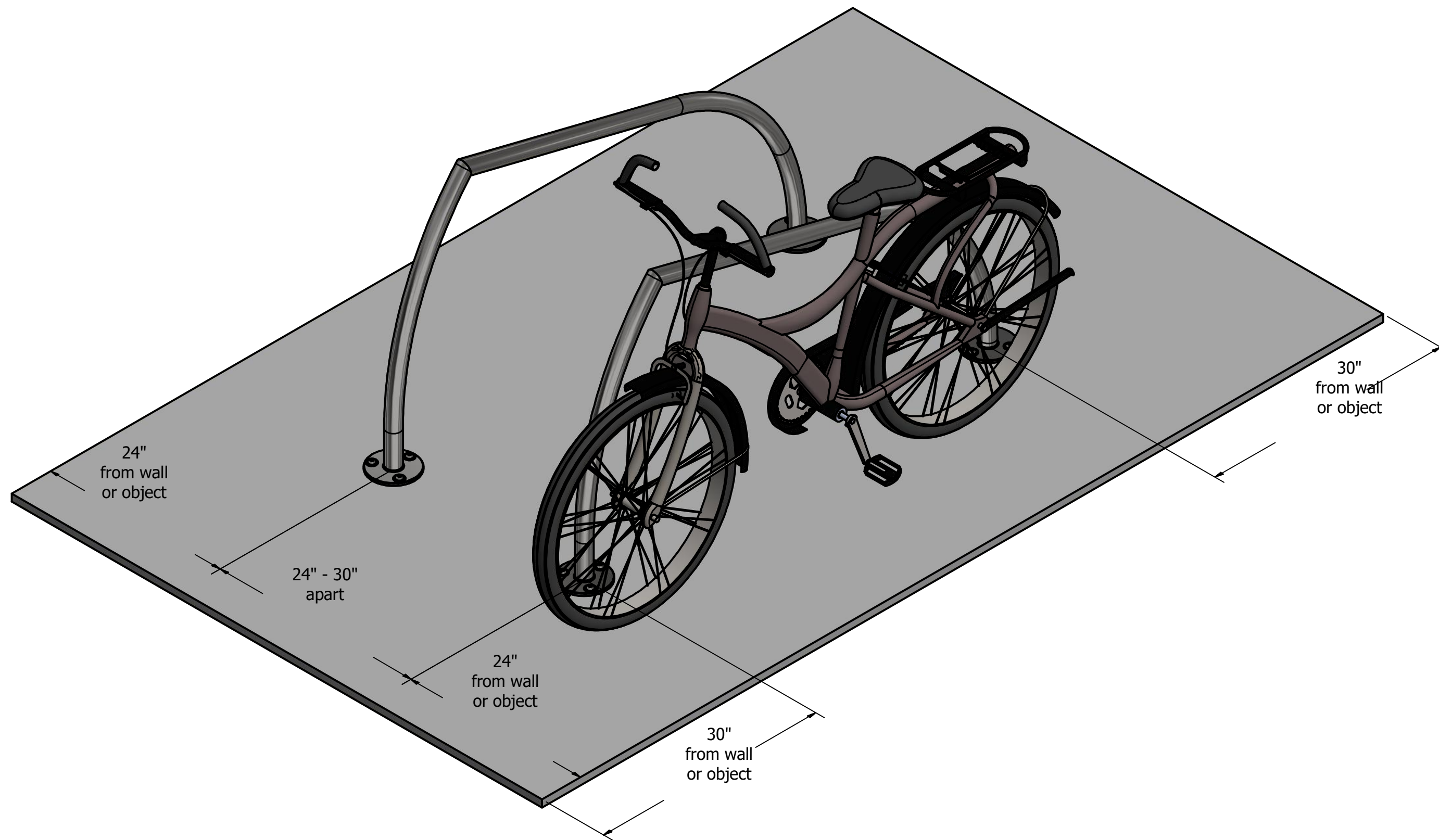
PARTS LIST

ITEM	QTY	PART NUMBER	DESCRIPTION	MATERIAL	WEIGHT
1	1	R8246FLSS	Bike Rack R8246FLSS	Stainless Steel 316	25 lbs
2	6	Stainless Steel Washer 1/2"	Stainless Steel Washer 1/2" OD 1 1/4" Thick .05"	Stainless Steel	
3	6	Button Head Bolt 1/2" x 1 1/4"	Hexagon Socket Button Head Cap Bolt 1/2" x 1 1/4" - requires 5/16" hex key	Stainless Steel	1/8 lbs
4	6	Drop-in Concrete Insert 1/2"	Drop-in Concrete Insert 1/2" - requires 5/8" x 2" hole (dia. x depth)	Steel Plated	1/8 lbs

Bike Rack, Model R-8246-FL-SS

Bike Rack Spacing

Spacing dimensions are only example suggestions and may not be suitable for specific locations. Dimensions do not account for walkways or other space considerations. Be sure to consult a design professional and any applicable municipal codes before installing.



General Description:

The R-8246-FL-SS Stainless Steel Bike Rack features a unique fin-shape design. R-8246-FL-SS Bike Racks are made from high-quality 316 stainless steel, providing modern style with resistance to corrosion and wear. Flanged base is easy to install in existing concrete with drop-in anchors.

Specifications:

Height: 33"

Cross Span: 59"

Weight: 25 lbs

Material: Stainless Steel AISI 316

Finish Options:

- Polished with a satin surface finish
 - Available polyester powdercoated option
- See Reliance Foundry's standard color options at www.reliance-foundry.com/bollard/colors-bollards

RELIANCE FOUNDRY
SINCE 1925

Unit 207, 6450 - 148 Street, Surrey, BC V3S 7G7, Canada
1-877-789-3245 info@reliance-foundry.com
www.reliance-foundry.com

TITLE

Bike Rack, Model R-8246-FL-SS

SIZE	DWG NO	REV
C	R8246FLSS	C

NOT TO SCALE SHEET 2 OF 2