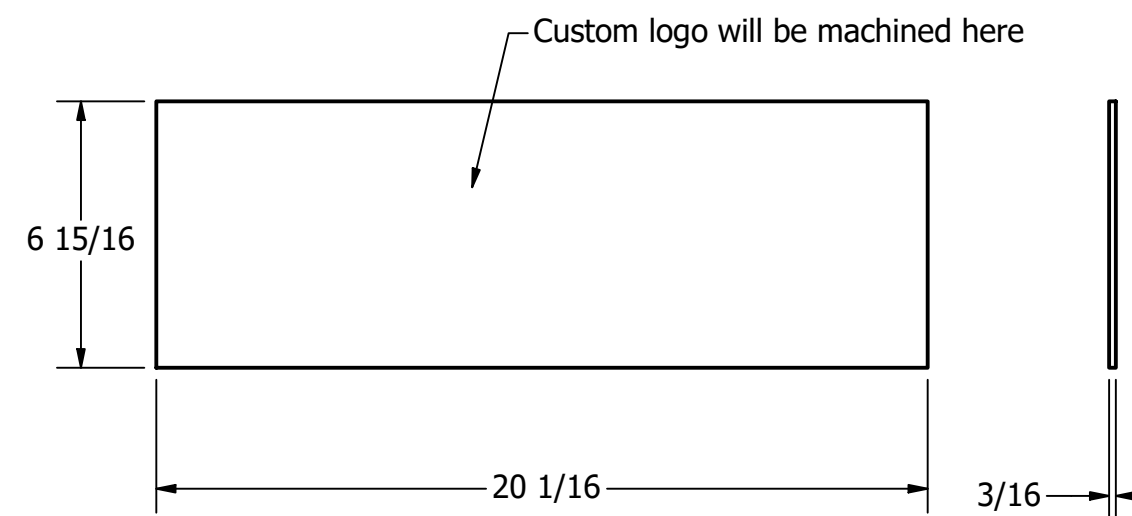
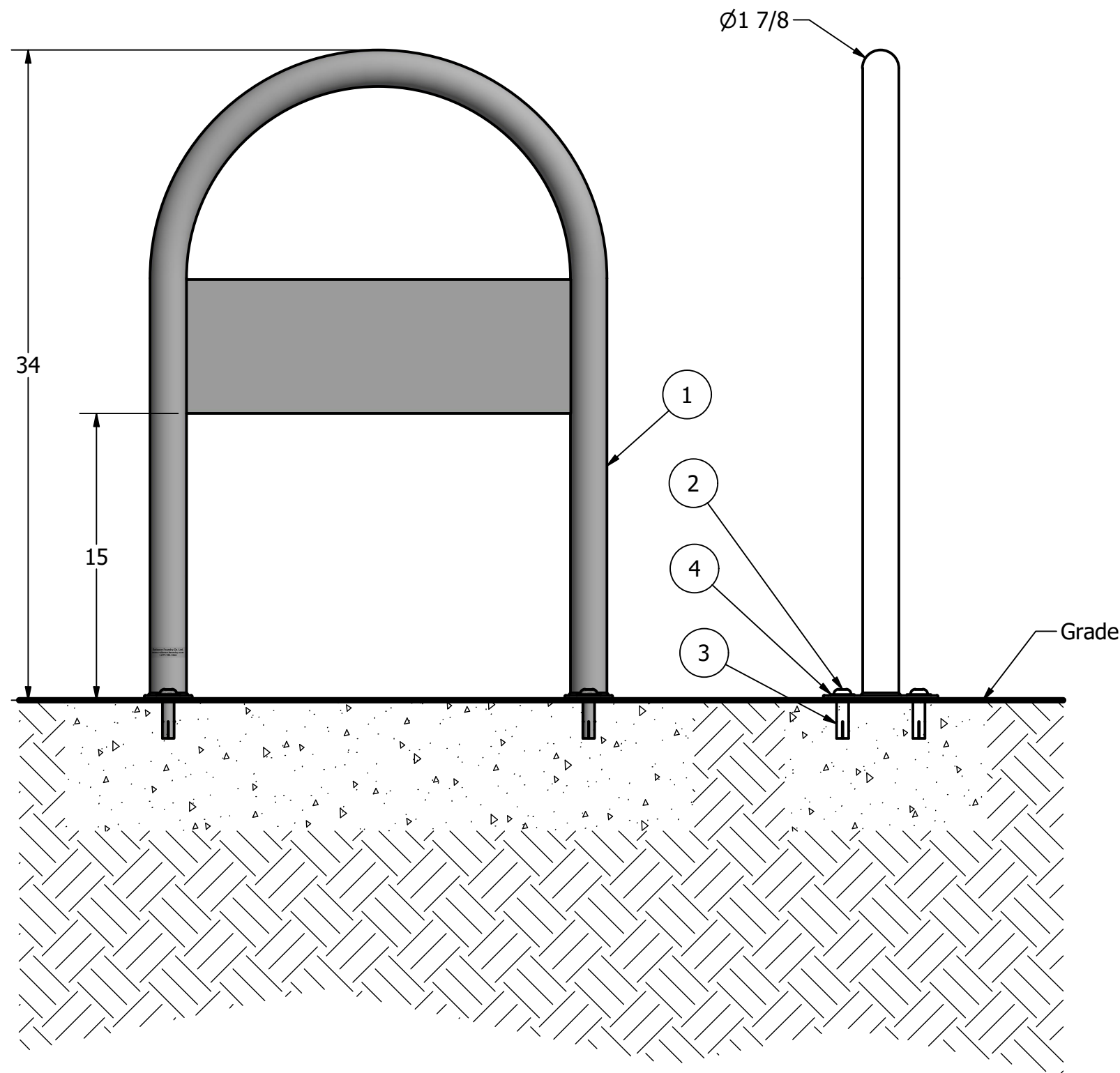
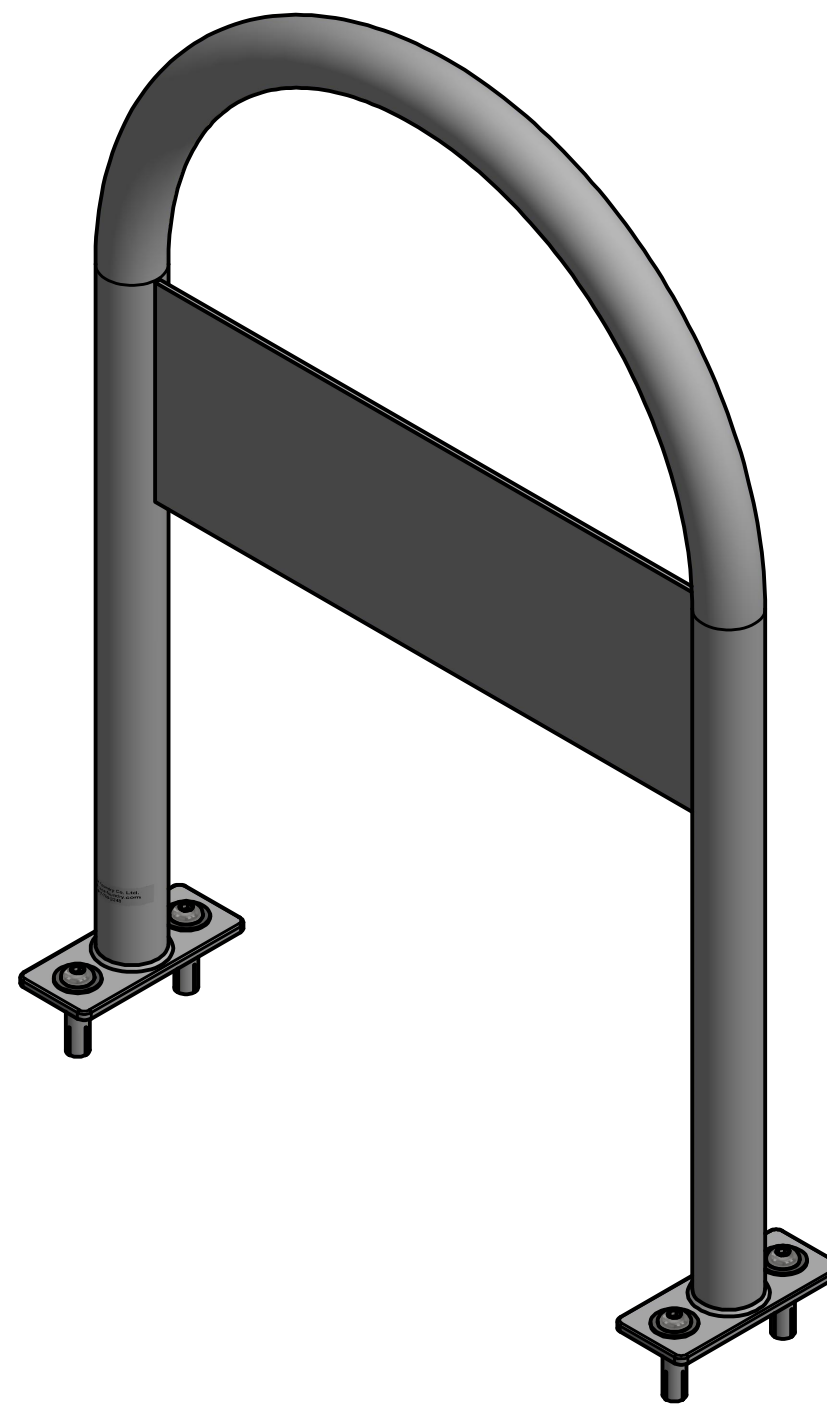
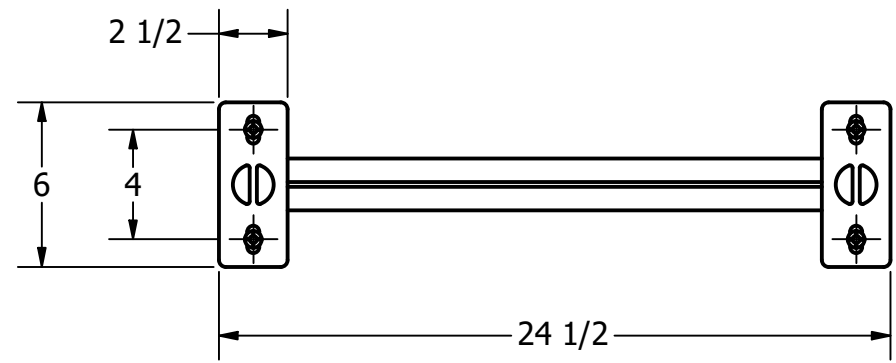


Custom Bike Rack – Rectangular Plate, R-8244



General Description:

The R-8244 custom bike rack with a rectangular plate is crafted from durable carbon steel in the USA. This contemporary rack with its U-shaped frame offers excellent protection to both bikes and the rack via a thermoplastic-coated finish. The customizable rectangular plate allows you to showcase your unique brand logo or design. Easy installation in existing concrete with bolt-down flanges.

Specifications:

Height: 34"
 Cross Span: 24 1/2"
 Weight: 25 lbs
 Material: Steel

Finish Options:

- Thermoplastic Powdercoated

See Reliance Foundry's standard color options at <https://www.reliance-foundry.com/bike-parking/commercial-bike-racks>

Notes:

- Bike rack is provided as shown with parts listed below. Concrete foundation and/or installation not provided by Reliance Foundry.
- This drawing is not drawn to scale. Dimensions provided herein are for reference only. Please consult Reliance Foundry sales professionals if any dimension is critical to your particular installation.
- Reliance Foundry reserves the right to amend design and specifications without prior notice for product improvement.

PARTS LIST						
ITEM	QTY	PART NUMBER	DESCRIPTION	MATERIAL	WEIGHT	
1	1	R-8244 Rack body	Rectangular Plate Custom Bike Rack Body	Steel Powder Coated	25 lbs	
2	4	Button Head Bolt 3/8" x 1 1/4"	Hexagon Socket Button Head Cap Bolt 3/8" x 1 1/4"	Stainless Steel		
3	4	Drop-in Concrete Insert 3/8"	Drop-in Concrete Insert 3/8"	Stainless Steel		
4	4	Stainless Steel Washer 3/8"	Stainless Steel Flat Washer	Stainless Steel		

RELIANCE FOUNDRY
 SINCE 1925

Unit 207, 6450 - 148 Street, Surrey, BC V3S 7G7, Canada
 1-877-789-3245 info@reliance-foundry.com
www.reliance-foundry.com

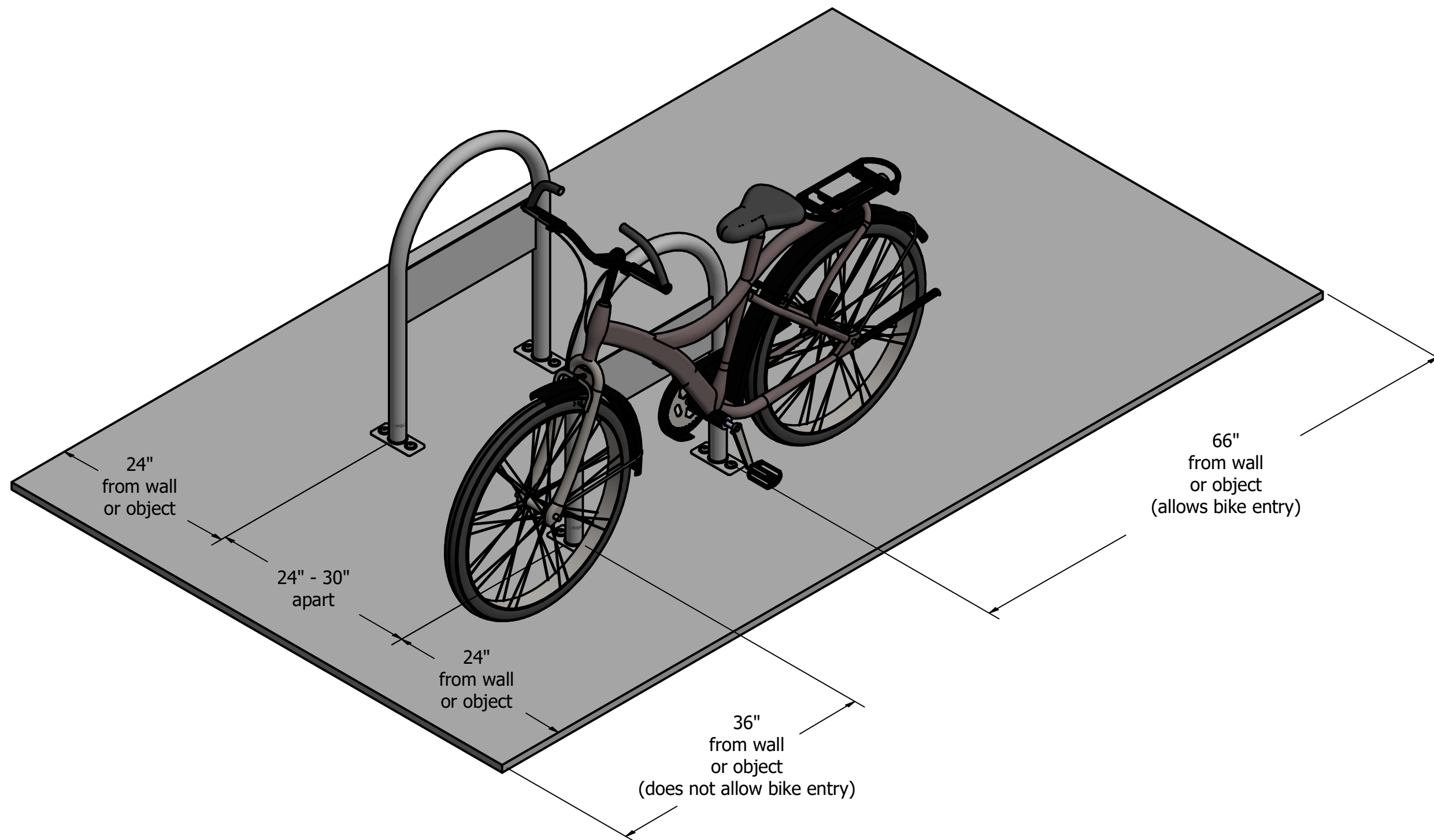
TITLE
Custom Bike Rack – Rectangular Plate, R-8244

SIZE: C DWG NO: R8244_public REV: A02

Custom Bike Rack – Rectangular Plate, R-8244

Custom Bike Rack Spacing

Spacing dimensions are only example suggestions and may not be suitable for specific locations. Dimensions do not account for walkways or other space considerations. Be sure to consult a design professional and any applicable municipal codes before installing.



General Description:

The R-8244 custom bike rack with a rectangular plate is crafted from durable carbon steel in the USA. This contemporary rack with its U-shaped frame offers excellent protection to both bikes and the rack via a thermoplastic-coated finish. The customizable rectangular plate allows you to showcase your unique brand logo or design. Easy installation in existing concrete with bolt-down flanges.

Specifications:

Height: 34"

Cross Span: 24 1/2"

Weight: 25 lbs

Material: Steel

Finish Options:

- Thermoplastic Powdercoated

See Reliance Foundry's standard color options at <https://www.reliance-foundry.com/bike-parking/commercial-bike-racks>

RELIANCE FOUNDRY
SINCE 1925

Unit 207, 6450 - 148 Street, Surrey, BC V3S 7G7, Canada
1-877-789-3245 info@reliance-foundry.com
www.reliance-foundry.com

TITLE

Custom Bike Rack – Rectangular Plate, R-8244

SIZE
C

DWG NO
R8244_public

REV
A02