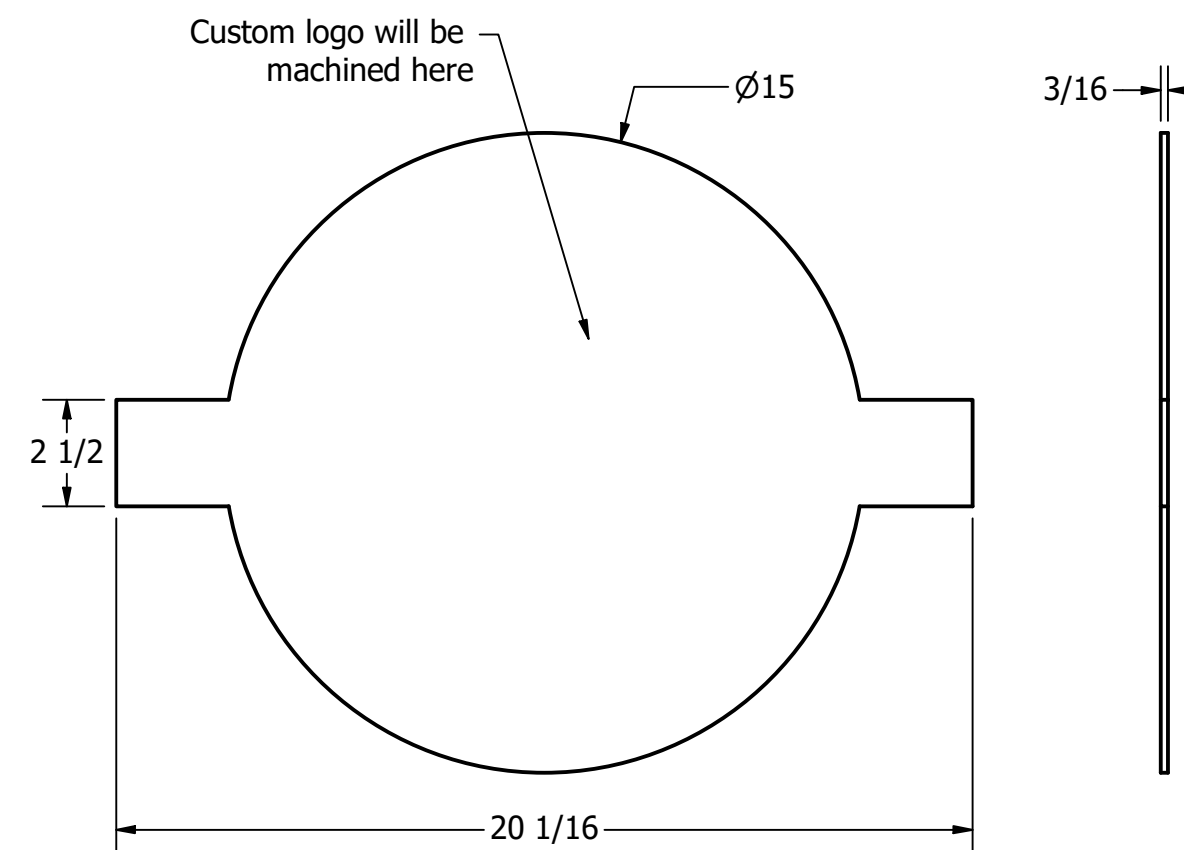
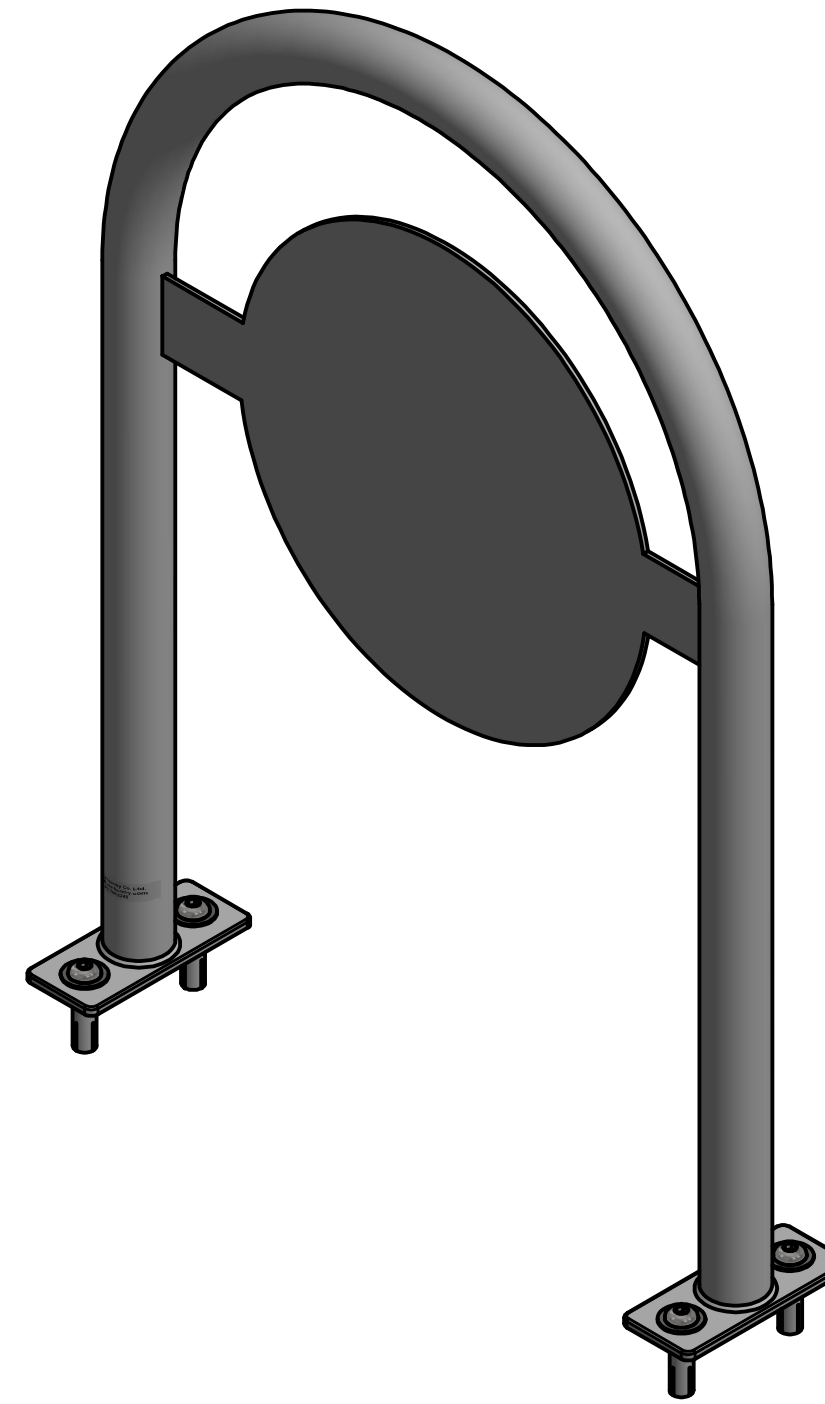
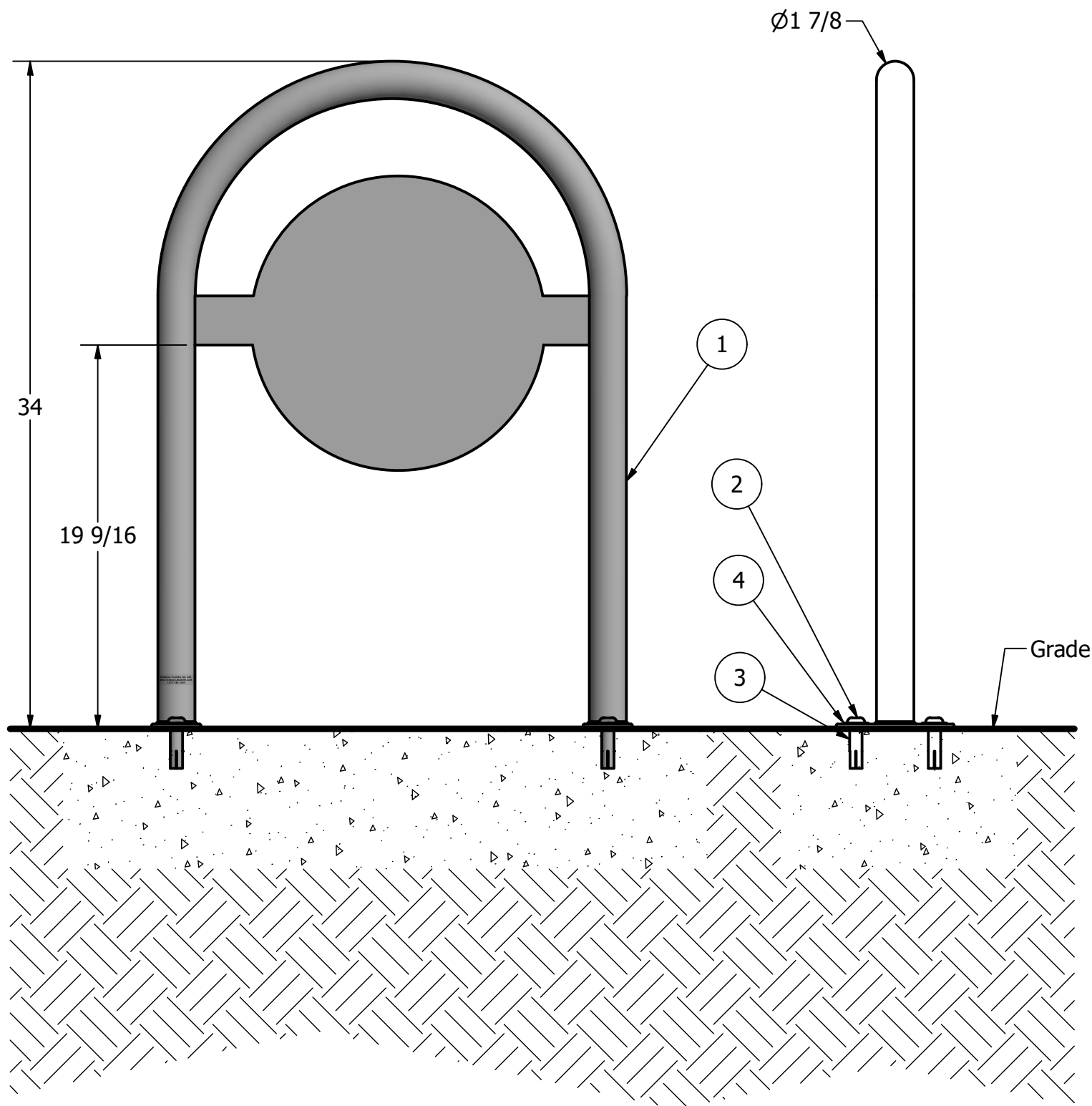
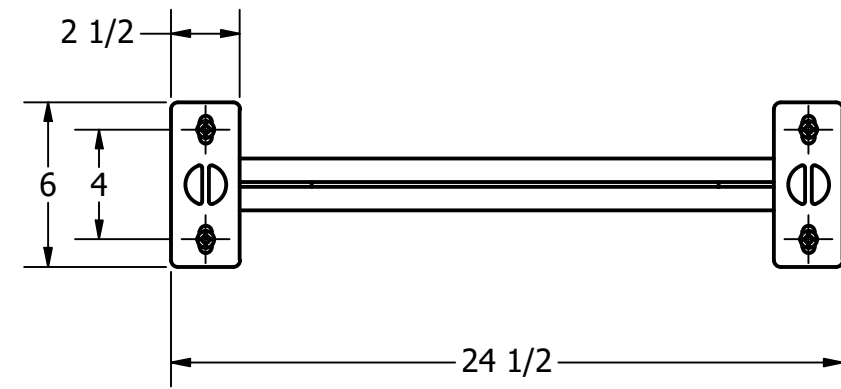


Custom Bike Rack – Circular Plate, R-8243



General Description:

The R-8243 circular plate custom bike rack is Buy America compliant and features a carbon steel, U-shaped design. With a two-point contact system, the R-8243 offers excellent security, while providing a unique branding opportunity on the customizable circular plate. The R-8243 bike rack features a thermoplastic-coated finish, while the bold-down flanges allow for quick and convenient installation.

Specifications:

Height: 34"
 Cross Span: 24 1/2"
 Weight: 26 lbs
 Material: Steel

Finish Options:

- Thermoplastic Powdercoated

See Reliance Foundry's standard color options at <https://www.reliance-foundry.com/bike-parking/commercial-bike-racks>

Notes:

- Bike rack is provided as shown with parts listed below. Concrete foundation and/or installation not provided by Reliance Foundry.
- This drawing is not drawn to scale. Dimensions provided herein are for reference only. Please consult Reliance Foundry sales professionals if any dimension is critical to your particular installation.
- Reliance Foundry reserves the right to amend design and specifications without prior notice for product improvement.

| PARTS LIST | | | | | | |
|------------|-----|--------------------------------|---|---------------------|--------|--|
| ITEM | QTY | PART NUMBER | DESCRIPTION | MATERIAL | WEIGHT | |
| 1 | 1 | R-8243 Rack body | Circular Plate Custom Bike Rack Body | Steel Powder Coated | 26 lbs | |
| 2 | 4 | Button Head Bolt 3/8" x 1 1/4" | Hexagon Socket Button Head Cap Bolt 3/8" x 1 1/4" | Stainless Steel | | |
| 3 | 4 | Drop-in Concrete Insert 3/8" | Drop-in Concrete Insert 3/8" | Stainless Steel | | |
| 4 | 4 | Stainless Steel Washer 3/8" | Stainless Steel Flat Washer | Stainless Steel | | |

RELIANCE FOUNDRY
 SINCE 1925

Unit 207, 6450 - 148 Street, Surrey, BC V3S 7G7, Canada
 1-877-789-3245 info@reliance-foundry.com
www.reliance-foundry.com

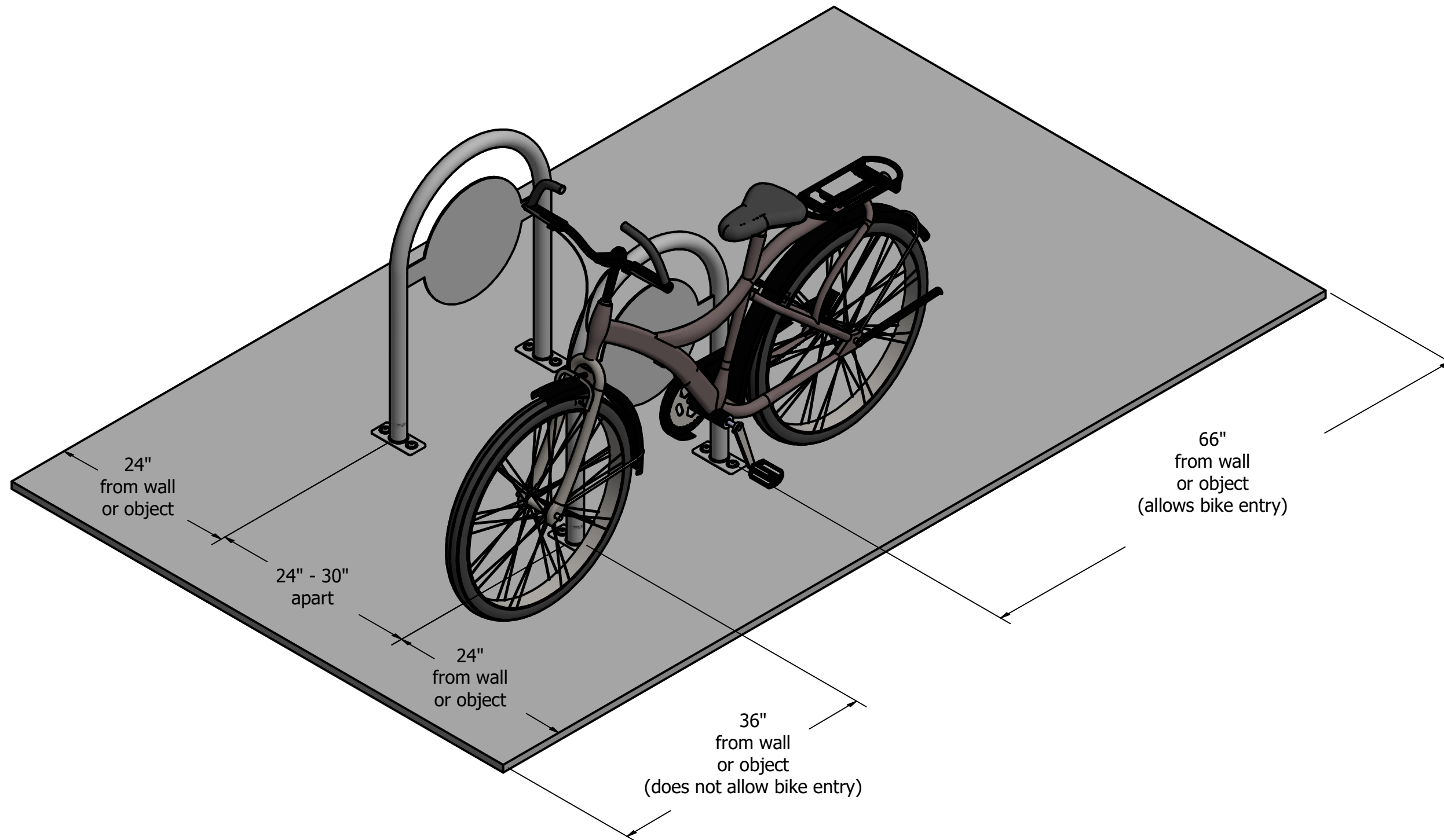
TITLE
Custom Bike Rack – Circular Plate, R-8243

SIZE: C DWG NO: R8243_public REV: A02

Custom Bike Rack – Circular Plate, R-8243

Custom Bike Rack Spacing

Spacing dimensions are only example suggestions and may not be suitable for specific locations. Dimensions do not account for walkways or other space considerations. Be sure to consult a design professional and any applicable municipal codes before installing.



General Description:

The R-8243 circular plate custom bike rack is Buy America compliant and features a carbon steel, U-shaped design. With a two-point contact system, the R-8243 offers excellent security, while providing a unique branding opportunity on the customizable circular plate. The R-8243 bike rack features a thermoplastic-coated finish, while the bold-down flanges allow for quick and convenient installation.

Specifications:

Height: 34"
 Cross Span: 24 1/2"
 Weight: 26 lbs
 Material: Steel

Finish Options:

- Thermoplastic Powdercoated

See Reliance Foundry's standard color options at <https://www.reliance-foundry.com/bike-parking/commercial-bike-racks>

RELIANCE FOUNDRY
 SINCE 1925

Unit 207, 6450 - 148 Street, Surrey, BC V3S 7G7, Canada
 1-877-789-3245 info@reliance-foundry.com
www.reliance-foundry.com

TITLE

Custom Bike Rack – Circular Plate, R-8243

SIZE
C

DWG NO
R8243_public

REV
A02