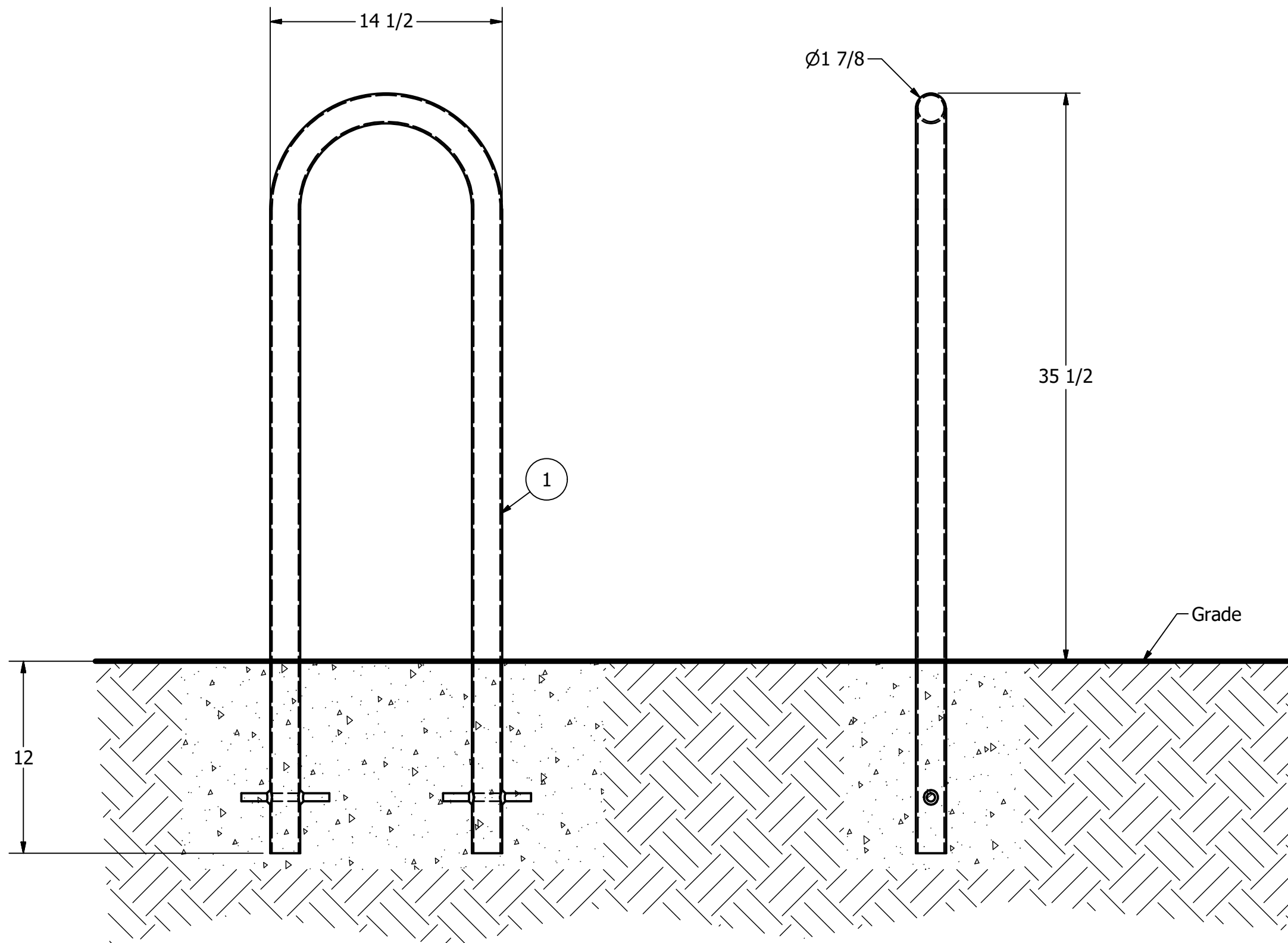


# Bike Rack, R-8212-EM-SS



Embedded Mounting

## General Description:

The R-8212-EM-SS Stainless Steel Compact U-Rack offers a slim form to minimize obstruction when empty-making it ideal for sidewalks and streetscapes with high foot traffic. The tall staple-shape supports 2-point contact with bike frames to avoid tipping. Bikes can be secured using a U-lock or cable between the frame and front or rear wheel. Install circular bike racks in series for custom, high-capacity bike corrals. Stainless steel bike racks are made from 316-grade stainless steel for premium aesthetics and high resistance to corrosion and wear. Embedded in-ground mountings for new concrete installations.

## Specifications:

Height: 35 1/2"

Cross Span: 14 1/2"

Weight: 22 lbs

Material: Stainless Steel AISI 316

### Finish Options:

- ⊙ Polished with a satin surface finish
  - Available polyester powdercoated options
- See Reliance Foundry's standard color options at [www.reliance-foundry.com/bollard/colors-bollards](http://www.reliance-foundry.com/bollard/colors-bollards)

## Notes:

- Embedment details are for reference illustration only. Minimum foundation sizes depend on local soil conditions, weather conditions and engineering requirements.
- Bike rack is provided as shown with parts listed below. Concrete foundation and/or installation not provided by Reliance Foundry.
- This drawing is not drawn to scale. Dimensions provided herein are for reference only. Please consult Reliance Foundry sales professionals if any dimension is critical to your particular installation.
- Reliance Foundry reserves the right to amend design and specifications without prior notice for product improvement.

**RELIANCE FOUNDRY**  
— SINCE 1925 —

Unit 207, 6450 - 148 Street, Surrey, BC V3S 7G7, Canada  
1-877-789-3245 info@reliance-foundry.com  
[www.reliance-foundry.com](http://www.reliance-foundry.com)

TITLE

**Bike Rack, R-8212-EM-SS**

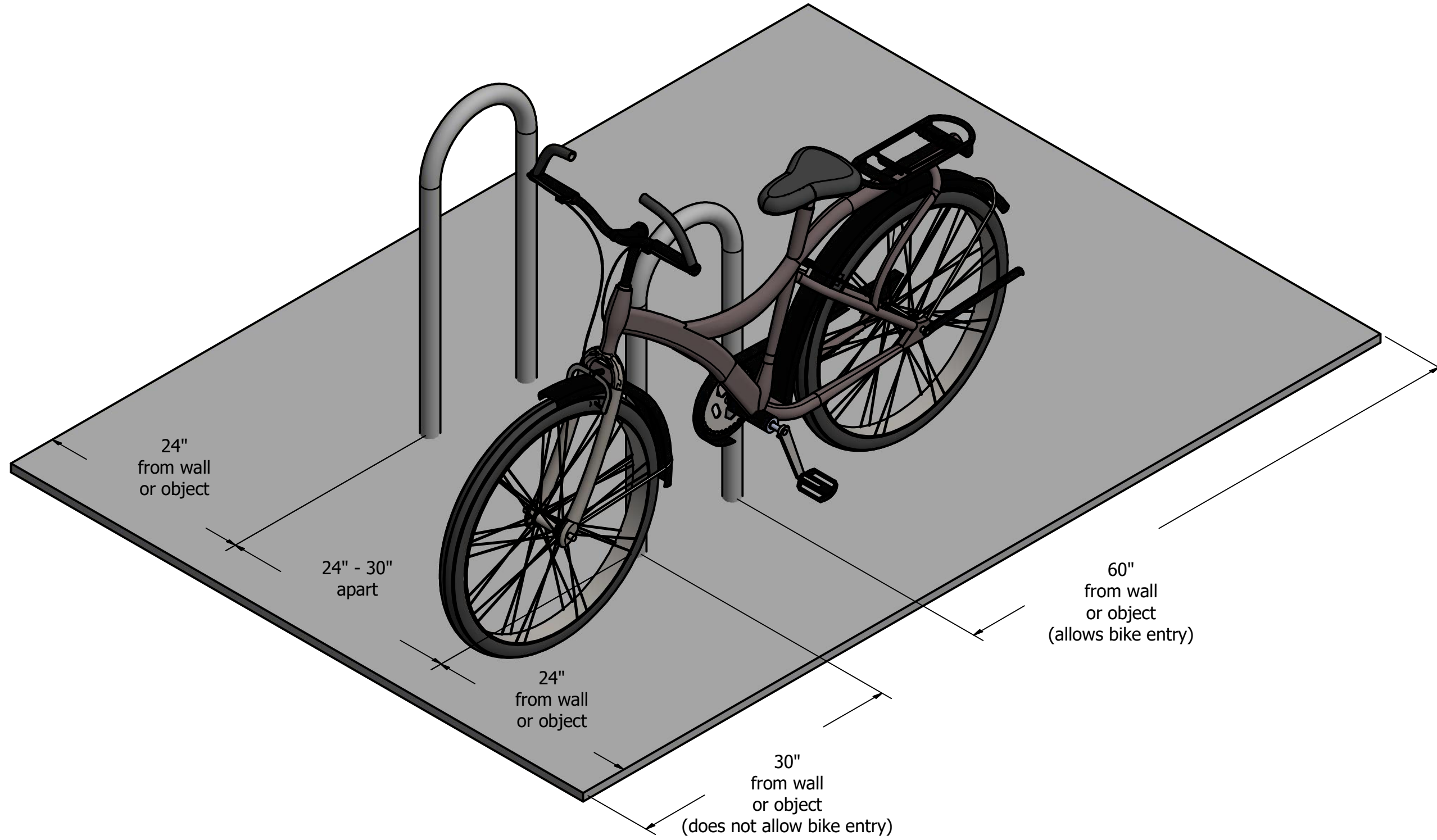
PARTS LIST					
ITEM	QTY	PART NUMBER	DESCRIPTION	MATERIAL	WEIGHT
1	1	R8212EMSS	Bike Rack R8212EMSS	Stainless Steel 316	22 lbs

SIZE	DWG NO	REV
C	R8212EMSS	C1

# Bike Rack, R-8212-EM-SS

## Bike Rack Spacing

Spacing dimensions are only example suggestions and may not be suitable for specific locations. Dimensions do not account for walkways or other space considerations. Be sure to consult a design professional and any applicable municipal codes before installing.



## General Description:

The R-8212-EM-SS Stainless Steel Compact U-Rack offers a slim form to minimize obstruction when empty-making it ideal for sidewalks and streetscapes with high foot traffic. The tall staple-shape supports 2-point contact with bike frames to avoid tipping. Bikes can be secured using a U-lock or cable between the frame and front or rear wheel. Install circular bike racks in series for custom, high-capacity bike corrals. Stainless steel bike racks are made from 316-grade stainless steel for premium aesthetics and high resistance to corrosion and wear. Embedded in-ground mountings for new concrete installations.

## Specifications:

Height: 35 1/2"

Cross Span: 14 1/2"

Weight: 22 lbs

Material: Stainless Steel AISI 316

### Finish Options:

- Polished with a satin surface finish
  - Available polyester powdercoated options
- See Reliance Foundry's standard color options at [www.reliance-foundry.com/bollard/colors-bollards](http://www.reliance-foundry.com/bollard/colors-bollards)

**RELIANCE FOUNDRY**  
— SINCE 1925 —

Unit 207, 6450 - 148 Street, Surrey, BC V3S 7G7, Canada  
1-877-789-3245 info@reliance-foundry.com  
[www.reliance-foundry.com](http://www.reliance-foundry.com)

TITLE

**Bike Rack, R-8212-EM-SS**

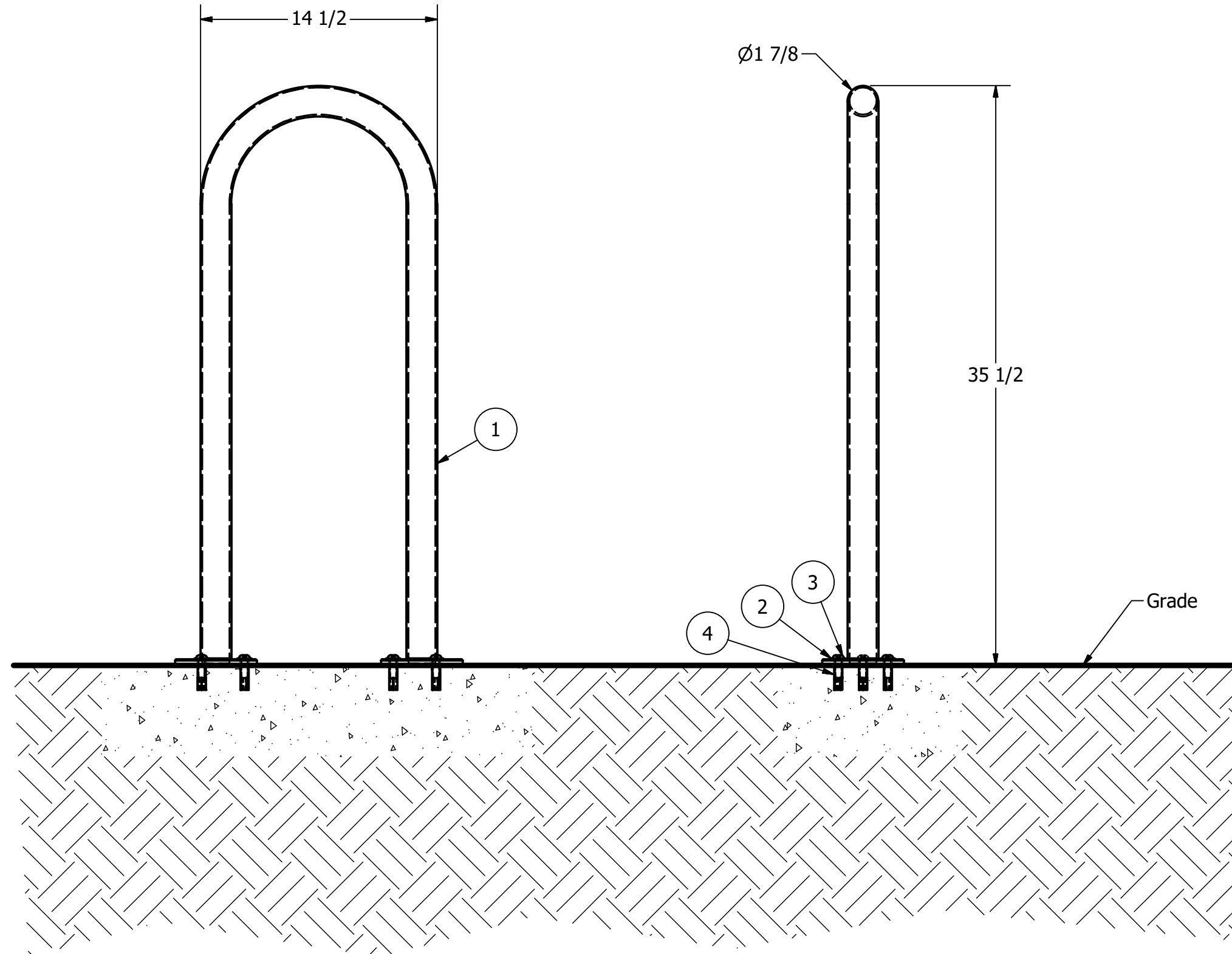
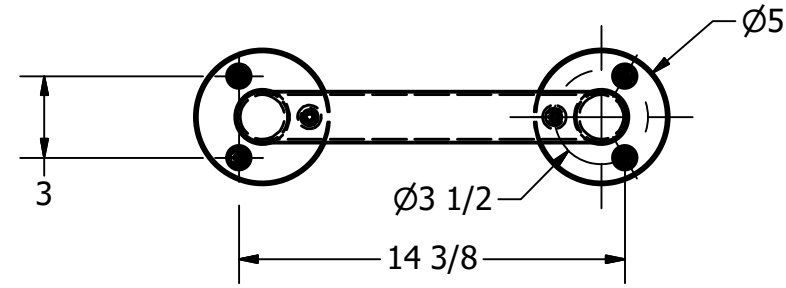
SIZE	DWG NO	REV
C	R8212EMSS	C1

# Bike Rack, R-8212-FL-SS

## Drop-in Anchor Installation:

- 1) Use a carbide tip drill bit (conforming to ANSI B 212.15) to drill 1/2" x 1 1/2" hole (dia. x depth)
- 2) Clean drill hole of debris
- 3) Insert anchor into drill hole
- 4) Use hammer and proper setting tool\* (for 3/8" Drop-In Anchor from UCAN) to drive plug down
- 5) Fasten button head screw (Maximum torque 10 ft x lbf)

\* Substitute a narrow punch tool at installer's risk



## General Description:

The R-8212-FL-SS Stainless Steel Compact U-Rack offers a slim form to minimize obstruction when empty-making it ideal for sidewalks and streetscapes with high foot traffic. The tall staple-shape supports 2-point contact with bike frames to avoid tipping. Bikes can be secured using a U-lock or cable between the frame and front or rear wheel. Install circular bike racks in series for custom, high-capacity bike corrals. Stainless steel bike racks are made from 316-grade stainless steel for premium aesthetics and high resistance to corrosion and wear. Bolt-down flanges for existing concrete surfaces.

## Specifications:

Height: 35 1/2"

Cross Span: 14 1/2"

Weight: 20 lbs

Material: Stainless Steel AISI 316

### Finish Options:

- ⊙ Polished with a satin surface finish
  - Available polyester powdercoated options
- See Reliance Foundry's standard color options at [www.reliance-foundry.com/bollard/colors-bollards](http://www.reliance-foundry.com/bollard/colors-bollards)

## Notes:

- Embedment details are for reference illustration only. Minimum foundation sizes depend on local soil conditions, weather conditions and engineering requirements.
- Bike rack is provided as shown with parts listed below. Concrete foundation and/or installation not provided by Reliance Foundry.
- This drawing is not drawn to scale. Dimensions provided herein are for reference only. Please consult Reliance Foundry sales professionals if any dimension is critical to your particular installation.
- Reliance Foundry reserves the right to amend design and specifications without prior notice for product improvement.

PARTS LIST					
ITEM	QTY	PART NUMBER	DESCRIPTION	MATERIAL	WEIGHT
1	1	R8212FLSS	Bike Rack R8212FLSS	Stainless Steel 316	20 lbs
2	6	Stainless Steel Washer 3/8"	Stainless Steel Washer 3/8" OD 7/8" Thick .05"	Stainless Steel	
3	6	Button Head Bolt 3/8" x 1 1/4"	Hexagon Socket Button Head Cap Bolt 3/8" x 1 1/4" - requires 7/32" hex key	Stainless Steel	
4	6	Drop-in Concrete Insert 3/8"	Drop-in Concrete Insert 3/8" - requires 1/2" x 1 1/2" hole (dia. x depth)	Steel Plated	

**RELIANCE FOUNDRY**  
— SINCE 1925 —

Unit 207, 6450 - 148 Street, Surrey, BC V3S 7G7, Canada  
1-877-789-3245 info@reliance-foundry.com  
[www.reliance-foundry.com](http://www.reliance-foundry.com)

**Bike Rack, R-8212-FL-SS**

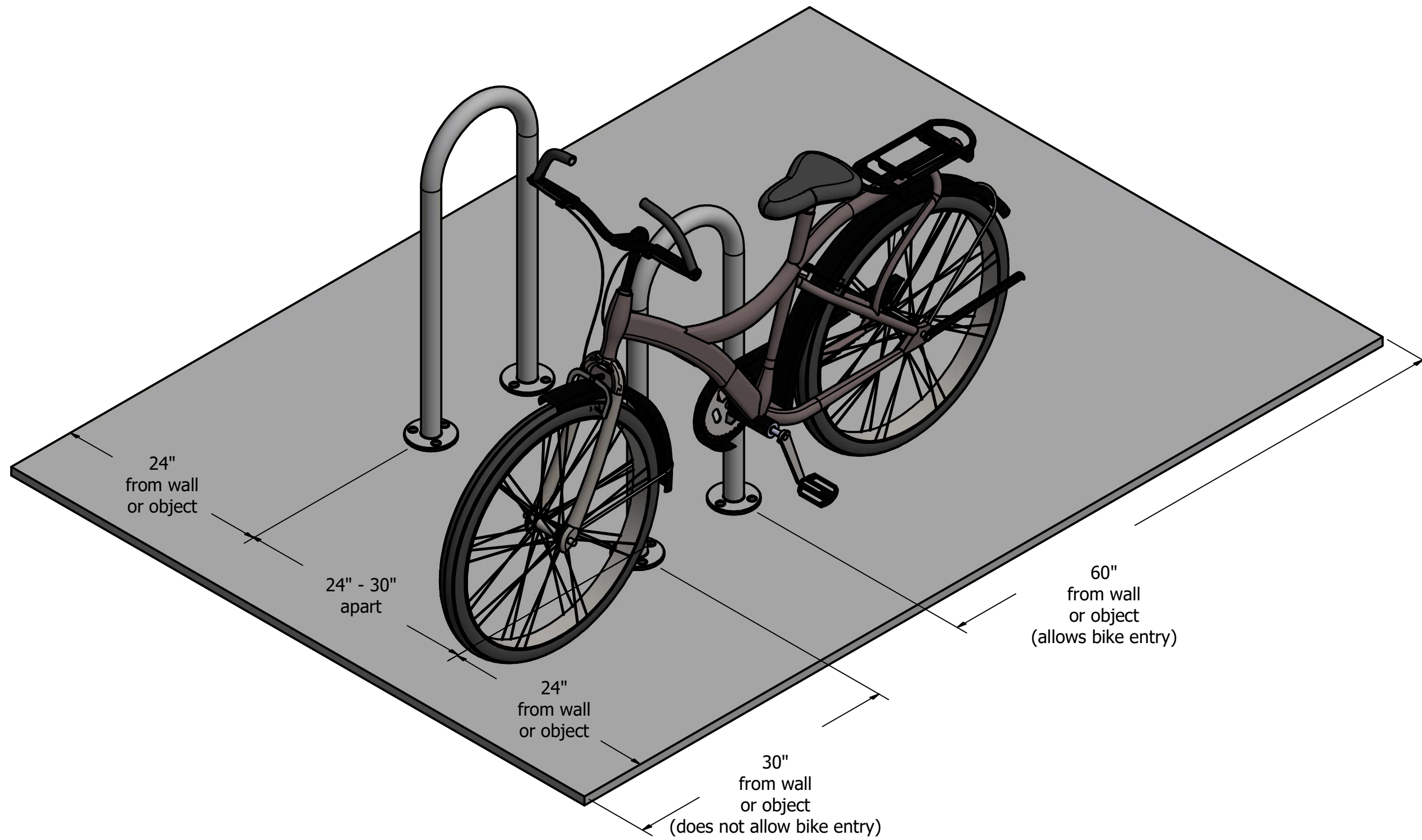
SIZE <b>C</b>	DWG NO <b>R8212FLSS</b>	REV <b>C1</b>
------------------	----------------------------	------------------



# Bike Rack, R-8212-FL-SS

## Bike Rack Spacing

Spacing dimensions are only example suggestions and may not be suitable for specific locations. Dimensions do not account for walkways or other space considerations. Be sure to consult a design professional and any applicable municipal codes before installing.



## General Description:

The R-8212-FL-SS Stainless Steel Compact U-Rack offers a slim form to minimize obstruction when empty-making it ideal for sidewalks and streetscapes with high foot traffic. The tall staple-shape supports 2-point contact with bike frames to avoid tipping. Bikes can be secured using a U-lock or cable between the frame and front or rear wheel. Install circular bike racks in series for custom, high-capacity bike corrals. Stainless steel bike racks are made from 316-grade stainless steel for premium aesthetics and high resistance to corrosion and wear. Bolt-down flanges for existing concrete surfaces.

## Specifications:

Height: 35 1/2"

Cross Span: 14 1/2"

Weight: 20 lbs

Material: Stainless Steel AISI 316

### Finish Options:

- Polished with a satin surface finish
  - Available polyester powdercoated options
- See Reliance Foundry's standard color options at [www.reliance-foundry.com/bollard/colors-bollards](http://www.reliance-foundry.com/bollard/colors-bollards)

**RELIANCE FOUNDRY**  
SINCE 1925

Unit 207, 6450 - 148 Street, Surrey, BC V3S 7G7, Canada  
1-877-789-3245 info@reliance-foundry.com  
[www.reliance-foundry.com](http://www.reliance-foundry.com)

TITLE

**Bike Rack, R-8212-FL-SS**

SIZE	DWG NO	REV
C	R8212FLSS	C1