

4

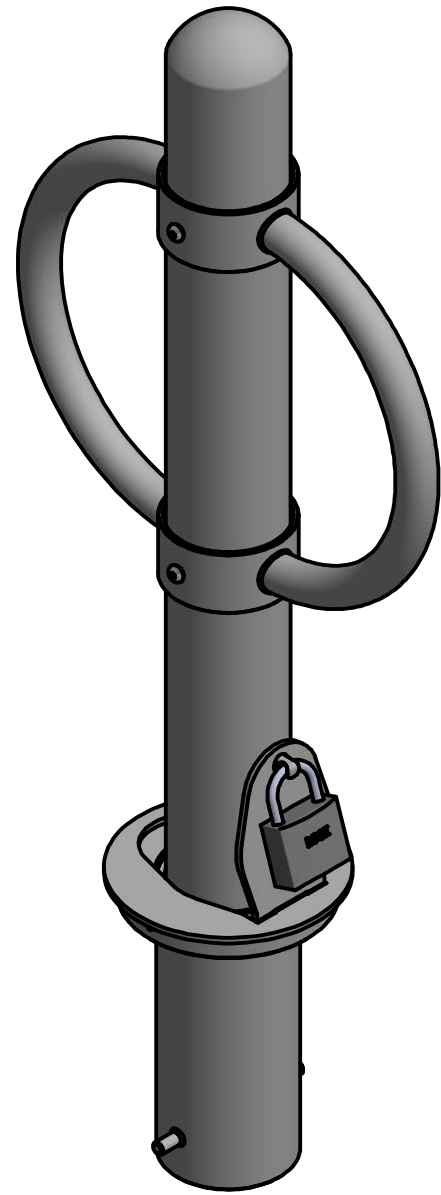
3

2

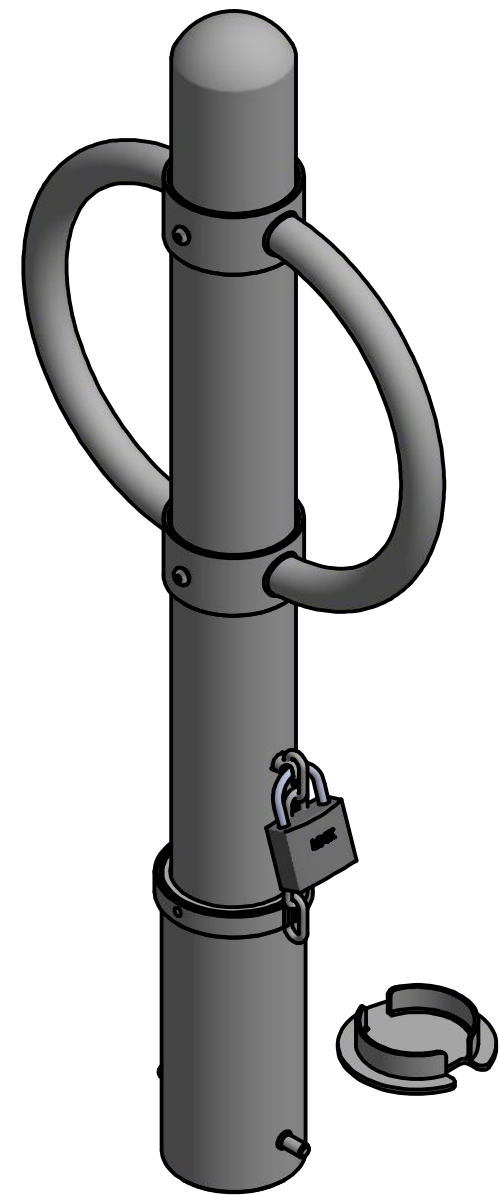
1

Bike Bollard, R-7906

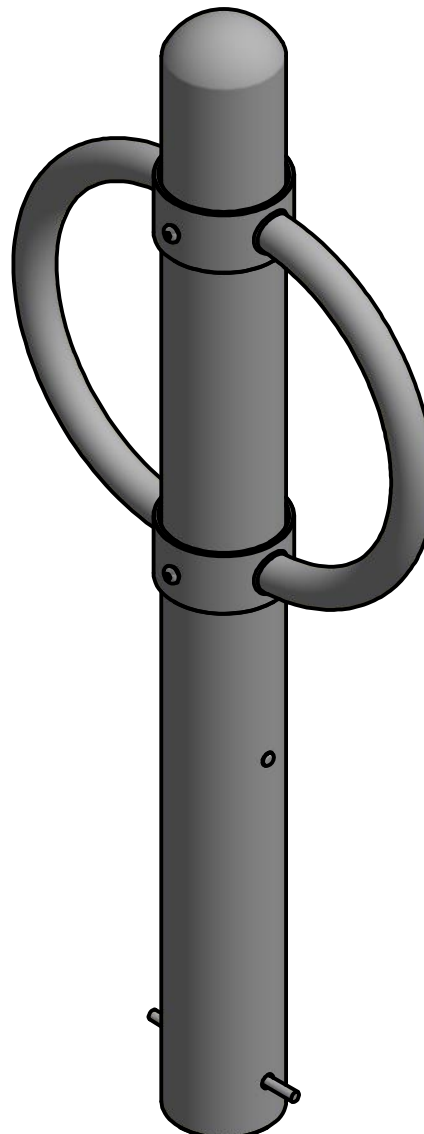
Removable Receiver with Lid
(for detail, see sheet 2 of 5)



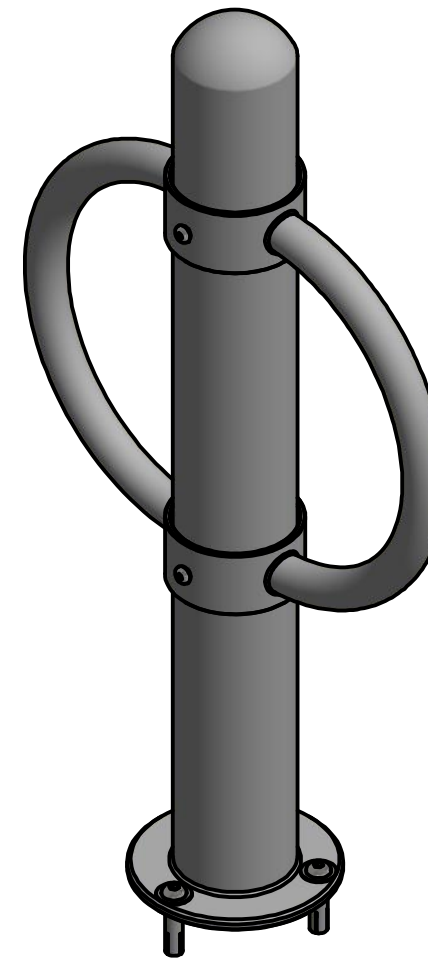
Removable Receiver with Chain
(for detail, see sheet 3 of 5)



Fixed Embedded Mount
(for detail, see sheet 4 of 5)



Fixed Flanged Mount
(for detail, see sheet 5 of 5)



4 Available Mounting Options

General Description:

The R-7906 and R-7906-FL Post & Ring Bike Bollard offers versatile design and functionality. Rounded bike-locking arms are bolted internally to ensure secure storage for cyclists. Locking arms can also be used to assist in removal and transport for removable applications. R-7906 and R-7906-FL Bike Bollards are made from carbon steel and powder coated in 1 of 6 custom colors. Select from in-ground embed, removable mounting or flanged surface mounting.

For more information on bollard post installation, please visit: www.reliance-foundry.com/bollard/installation-bollards

Specifications:

Height: 36" (Above Grade)

Base Diameter: 4 3/8"

Weight: 40 lbs (Bollard Post w/ Round Arm)

Material: Steel (ASTM A36)

Finish Options:

- ✓ Polyester Powdercoated

See Reliance Foundry's standard color options at www.reliance-foundry.com/bollard/colors-bollards

RELIANCE FOUNDRY
SINCE 1925

Unit 207, 6450 - 148 Street, Surrey, BC V3S 7G7, Canada
1-877-789-3245 info@reliance-foundry.com
www.reliance-foundry.com

TITLE

Bike Bollard, R-7906

SIZE
C

DWG NO
R-7906

REV
C3

4

3

2

1

D

D

C

C

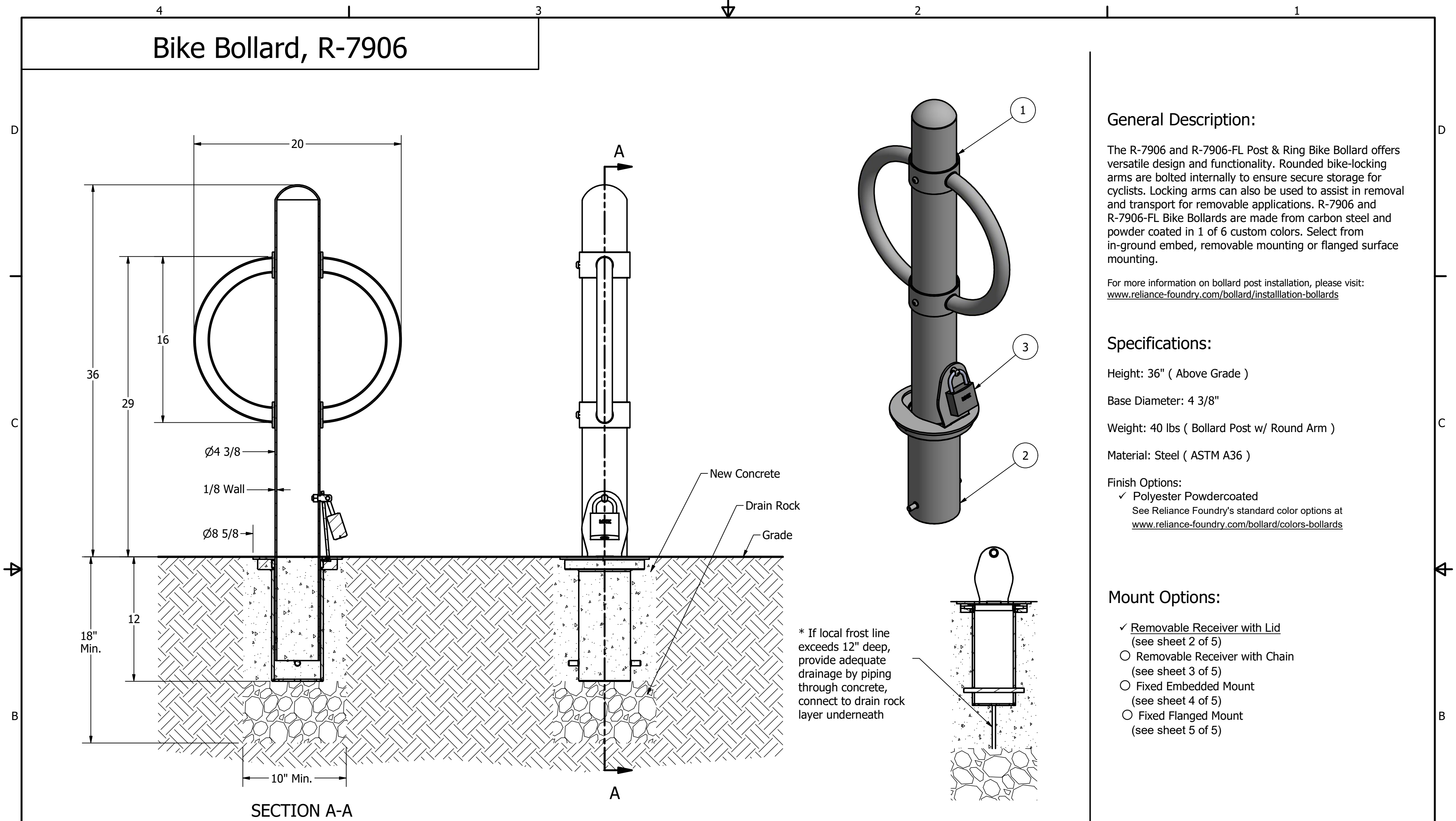
B

B

A

A

Bike Bollard, R-7906



General Description:

The R-7906 and R-7906-FL Post & Ring Bike Bollard offers versatile design and functionality. Rounded bike-locking arms are bolted internally to ensure secure storage for cyclists. Locking arms can also be used to assist in removal and transport for removable applications. R-7906 and R-7906-FL Bike Bollards are made from carbon steel and powder coated in 1 of 6 custom colors. Select from in-ground embed, removable mounting or flanged surface mounting.

For more information on bollard post installation, please visit: www.reliance-foundry.com/bollard/installation-bollards

Specifications:

- Height: 36" (Above Grade)
- Base Diameter: 4 3/8"
- Weight: 40 lbs (Bollard Post w/ Round Arm)
- Material: Steel (ASTM A36)

Finish Options:

- ✓ Polyester Powdercoated
- See Reliance Foundry's standard color options at www.reliance-foundry.com/bollard/colors-bollards

Mount Options:

- ✓ Removable Receiver with Lid (see sheet 2 of 5)
- Removable Receiver with Chain (see sheet 3 of 5)
- Fixed Embedded Mount (see sheet 4 of 5)
- Fixed Flanged Mount (see sheet 5 of 5)

Removable Receiver with Lid

Notes:

- Embedment details are for reference illustration only. Minimum foundation sizes depend on local soil conditions, weather conditions, and engineering requirements.
- Bollard post is provided as shown, with material detailed in legend below. Concrete, foundation and/or installation ordered separately or provided by others.
- This drawing is not drawn to scale. Dimensions provided herein is for reference only. Please consult Reliance Foundry sales professionals if any dimension is critical to your particular installation.
- Reliance Foundry reserves the right to amend design and specifications without prior notice for product improvement.

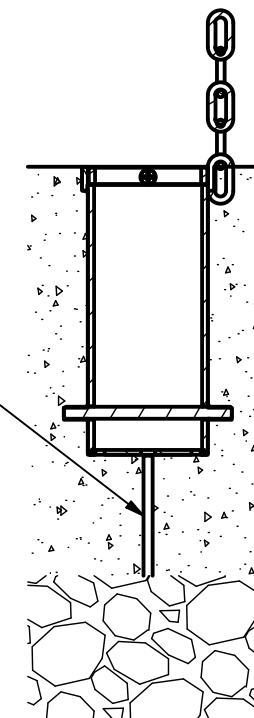
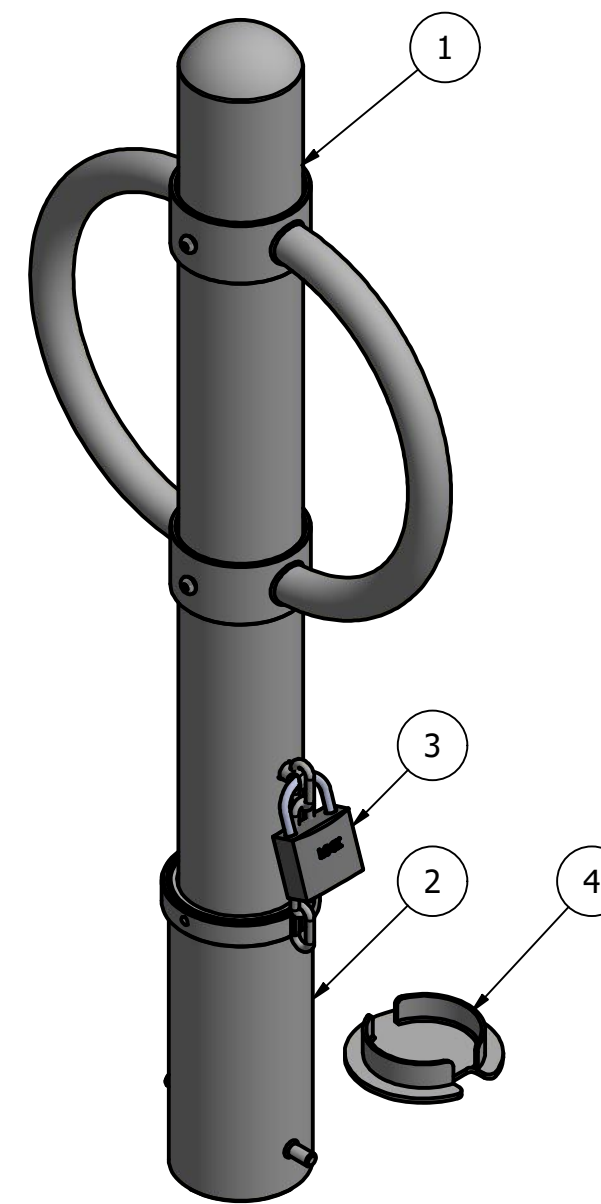
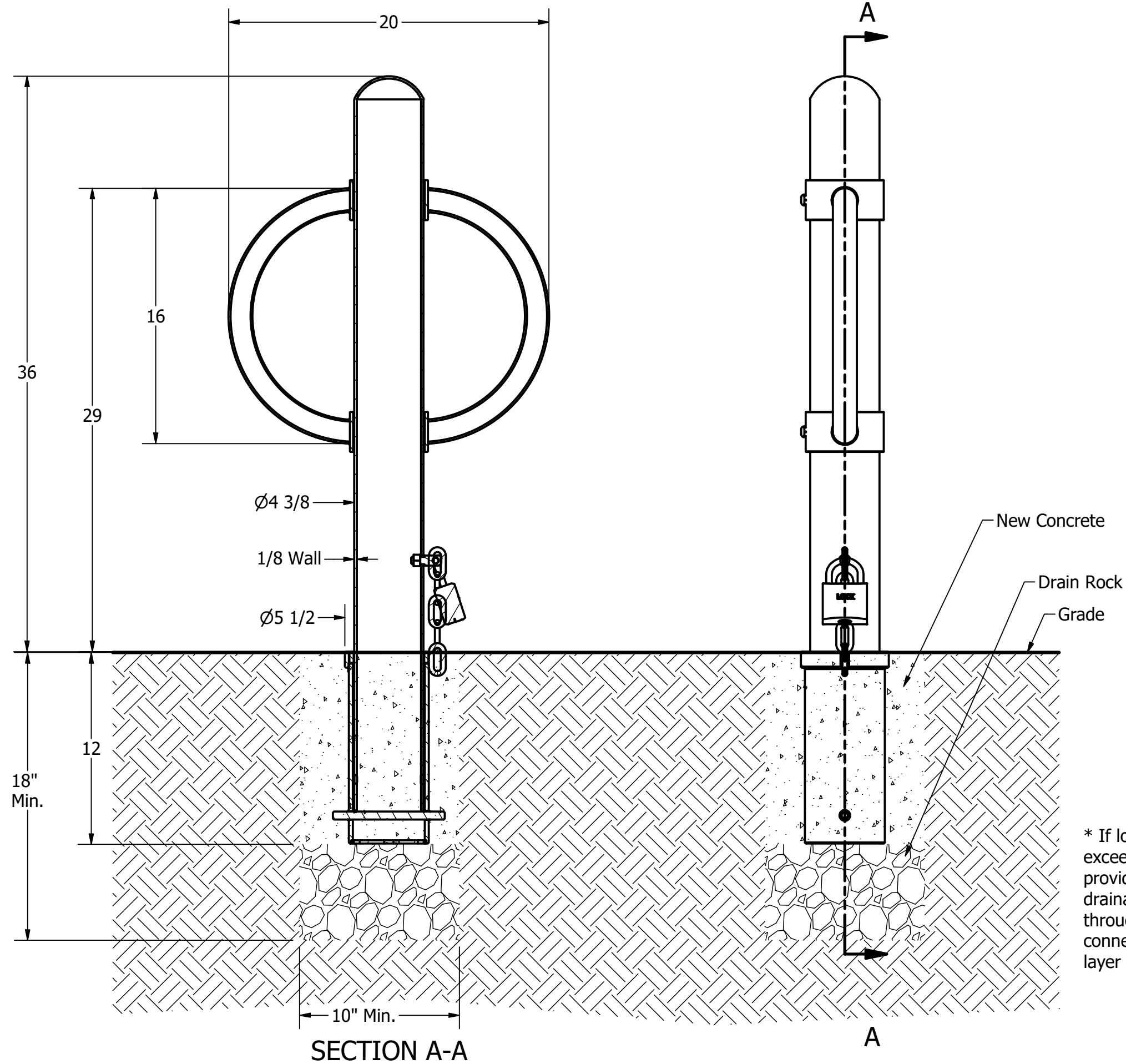
| PARTS LIST | | | | | |
|------------|-----|-------------------------|---|---|---------|
| ITEM | QTY | PART NUMBER | DESCRIPTION | MATERIAL | WEIGHT |
| 1 | 1 | R7906 Removable Bollard | R7906 Removable Bollard Assembly | Steel Powder Coated | 40 lbs |
| 2 | 1 | R7901R Receiver | R7901R Receiver Assembly w/ Lid | Galvanized Steel w/ 316 Stainless Steel Cover | 24 lbs |
| 3 | 1 | Padlock (Optional) | Optional Padlock (Brass or Stainless Steel) | Choice of Brass or Stainless Steel | 5/8 lbs |



Unit 207, 6450 - 148 Street, Surrey, BC V3S 7G7, Canada
 1-877-789-3245 info@reliance-foundry.com
www.reliance-foundry.com

| | | | |
|-----------------------------|--------|--------------|--|
| TITLE | | | |
| Bike Bollard, R-7906 | | | |
| SIZE | DWG NO | REV | |
| C | R-7906 | C3 | |
| NOT TO SCALE | | SHEET 2 OF 5 | |

Bike Bollard, R-7906



* If local frost line exceeds 12" deep, provide adequate drainage by piping through concrete, connect to drain rock layer underneath

General Description:

The R-7906 and R-7906-FL Post & Ring Bike Bollard offers versatile design and functionality. Rounded bike-locking arms are bolted internally to ensure secure storage for cyclists. Locking arms can also be used to assist in removal and transport for removable applications. R-7906 and R-7906-FL Bike Bollards are made from carbon steel and powder coated in 1 of 6 custom colors. Select from in-ground embed, removable mounting or flanged surface mounting.

For more information on bollard post installation, please visit: www.reliance-foundry.com/bollard/installation-bollards

Specifications:

Height: 36" (Above Grade)

Base Diameter: 4 3/8"

Weight: 40 lbs (Bollard Post w/ Round Arm)

Material: Steel (ASTM A36)

Finish Options:

- ✓ Polyester Powdercoated
- See Reliance Foundry's standard color options at www.reliance-foundry.com/bollard/colors-bollards

Mount Options:

- Removable Receiver with Lid (see sheet 2 of 5)
- ✓ Removable Receiver with Chain (see sheet 3 of 5)
- Fixed Embedded Mount (see sheet 4 of 5)
- Fixed Flanged Mount (see sheet 5 of 5)

Removable Receiver with Chain

Notes:

- Embedment details are for reference illustration only. Minimum foundation sizes depend on local soil conditions, weather conditions, and engineering requirements.
- Bollard post is provided as shown, with material detailed in legend below. Concrete, foundation and/or installation ordered separately or provided by others.
- This drawing is not drawn to scale. Dimensions provided herein is for reference only. Please consult Reliance Foundry sales professionals if any dimension is critical to your particular installation.
- Reliance Foundry reserves the right to amend design and specifications without prior notice for product improvement.

| PARTS LIST | | | | | |
|------------|-----|-----------------------------------|---|--|---------|
| ITEM | QTY | PART NUMBER | DESCRIPTION | MATERIAL | WEIGHT |
| 1 | 1 | R7906_removable_shop_assembly | R7906 Removable Bollard Assembly | Steel Powder Coated | 40 lbs |
| 2 | 1 | R7902R Receiver | R7902R Receiver Assembly | Galvanized Steel, w/ 304 Stainless Steel Chain | 16 lbs |
| 3 | 1 | Padlock (Optional) | Optional Padlock (Brass or Stainless Steel) | Choice of Brass or Stainless Steel | 5/8 lbs |
| 4 | 1 | R7902RC Receiver Cover (Optional) | Optional R7902RC Receiver Cover | 304 Stainless Steel | 2 lbs |

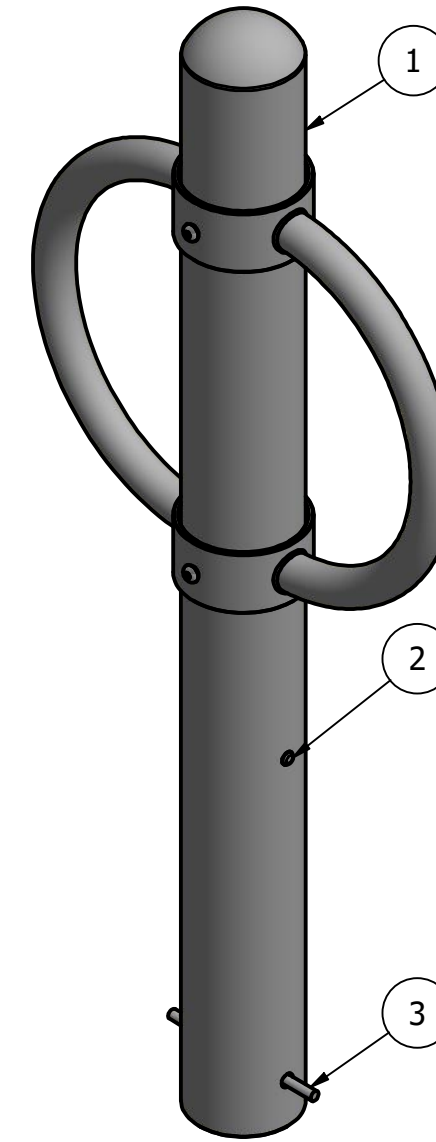
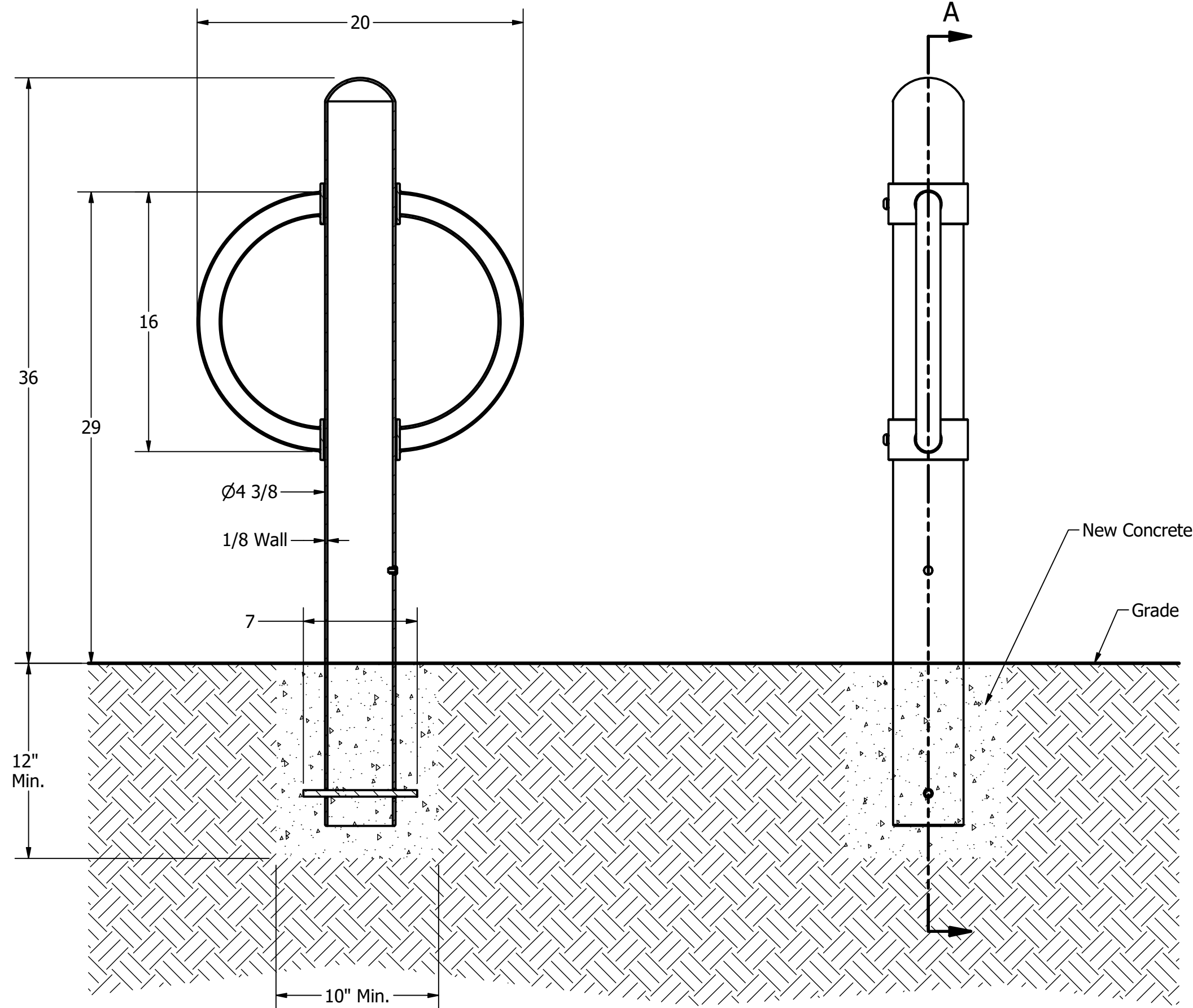
RELIANCE FOUNDRY
— SINCE 1925 —

Unit 207, 6450 - 148 Street, Surrey, BC V3S 7G7, Canada
1-877-789-3245 info@reliance-foundry.com
www.reliance-foundry.com

Bike Bollard, R-7906

| | | |
|------|--------|-----|
| SIZE | DWG NO | REV |
| C | R-7906 | C3 |

Bike Bollard, R-7906



General Description:

The R-7906 and R-7906-FL Post & Ring Bike Bollard offers versatile design and functionality. Rounded bike-locking arms are bolted internally to ensure secure storage for cyclists. Locking arms can also be used to assist in removal and transport for removable applications. R-7906 and R-7906-FL Bike Bollards are made from carbon steel and powder coated in 1 of 6 custom colors. Select from in-ground embed, removable mounting or flanged surface mounting.

For more information on bollard post installation, please visit: www.reliance-foundry.com/bollard/installation-bollards

Specifications:

Height: 36" (Above Grade)

Base Diameter: 4 3/8"

Weight: 40 lbs (Bollard Post w/ Round Arm)

Material: Steel (ASTM A36)

Finish Options:

✓ Polyester Powdercoated

See Reliance Foundry's standard color options at www.reliance-foundry.com/bollard/colors-bollards

Mount Options:

- Removable Receiver with Lid (see sheet 2 of 5)
- Removable Receiver with Chain (see sheet 3 of 5)
- ✓ Fixed Embedded Mount (see sheet 4 of 5)
- Fixed Flanged Mount (see sheet 5 of 5)

Fixed Installation in New Concrete

Notes:

- Embedment details are for reference illustration only. Minimum foundation sizes depend on local soil conditions, weather conditions, and engineering requirements.
- Bollard post is provided as shown, with material detailed in legend below. Concrete, foundation and/or installation ordered separately or provided by others.
- This drawing is not drawn to scale. Dimensions provided herein is for reference only. Please consult Reliance Foundry sales professionals if any dimension is critical to your particular installation.
- Reliance Foundry reserves the right to amend design and specifications without prior notice for product improvement.

| PARTS LIST | | | | | |
|------------|-----|------------------------|------------------------------|----------------------|---------|
| ITEM | QTY | PART NUMBER | DESCRIPTION | MATERIAL | WEIGHT |
| 1 | 1 | R7906 Fixed Bollard | R7906 Fixed Bollard Assembly | Steel Powder Coated | 40 lbs |
| 2 | 1 | Polyethylene Plug 1/2" | Polyethylene Plug 1/2" | Polyethylene Plastic | |
| 3 | 1 | Steel Rebar | Steel Rebar 10 mm x 7" | Steel Epoxy Coated | 3/8 lbs |

RELIANCE FOUNDRY
SINCE 1925

Unit 207, 6450 - 148 Street, Surrey, BC V3S 7G7, Canada
1-877-789-3245 info@reliance-foundry.com
www.reliance-foundry.com

TITLE

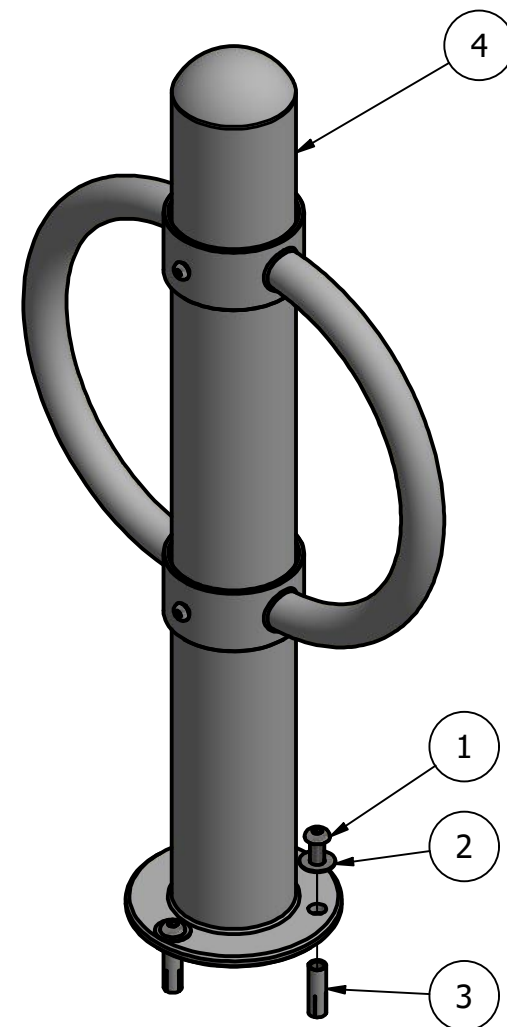
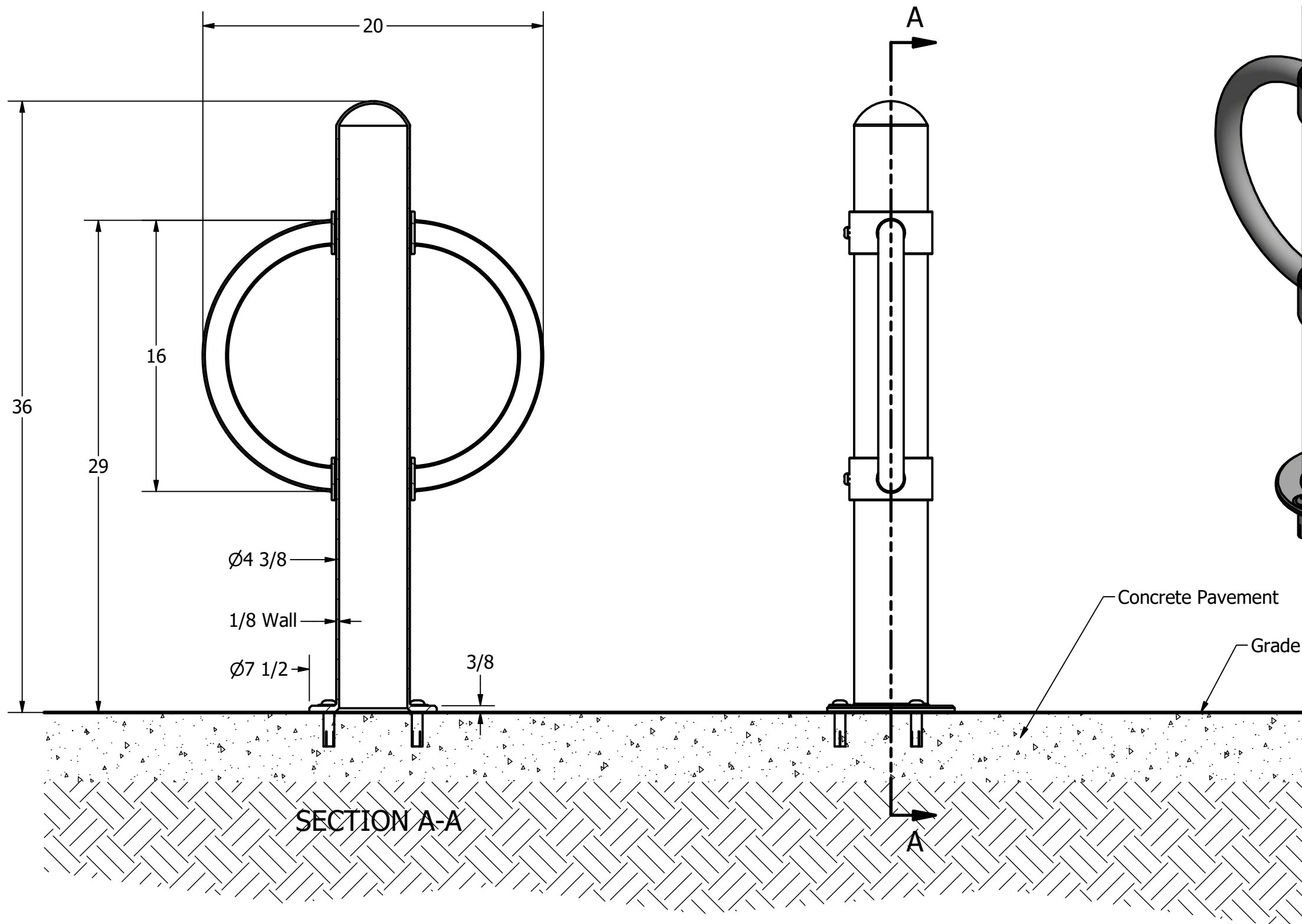
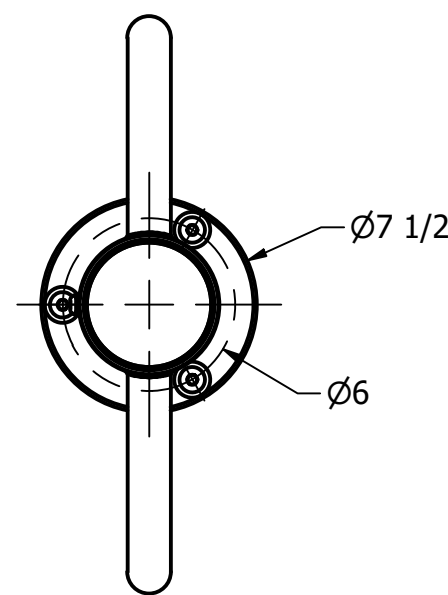
Bike Bollard, R-7906

SIZE
C

DWG NO
R-7906

REV
C3

Bike Bollard, R-7906-FL



General Description:

The R-7906 and R-7906-FL Post & Ring Bike Bollard offers versatile design and functionality. Rounded bike-locking arms are bolted internally to ensure secure storage for cyclists. Locking arms can also be used to assist in removal and transport for removable applications. R-7906 and R-7906-FL Bike Bollards are made from carbon steel and powder coated in 1 of 6 custom colors. Select from in-ground embed, removable mounting or flanged surface mounting.

For more information on bollard post installation, please visit: www.reliance-foundry.com/bollard/installation-bollards

Specifications:

- Height: 36" (Above Grade)
- Base Diameter: 4 3/8"
- Weight: 40 lbs (Bollard Post w/ Round Arm)
- Material: Steel (ASTM A36)

Finish Options:
 Polyester Powdercoated
 See Reliance Foundry's standard color options at www.reliance-foundry.com/bollard/colors-bollards

Mount Options:

- Removable Receiver with Lid (see sheet 2 of 5)
- Removable Receiver with Chain (see sheet 3 of 5)
- Fixed Embedded Mount (see sheet 4 of 5)
- Fixed Flanged Mount (see sheet 5 of 5)

Notes:

- Embedment details are for reference illustration only. Minimum foundation sizes depend on local soil conditions, weather conditions, and engineering requirements.
- Bollard post is provided as shown, with material detailed in legend below. Concrete, foundation and/or installation ordered separately or provided by others.
- This drawing is not drawn to scale. Dimensions provided herein is for reference only. Please consult Reliance Foundry sales professionals if any dimension is critical to your particular installation.
- Reliance Foundry reserves the right to amend design and specifications without prior notice for product improvement.

Flanged / Surface Mount

PARTS LIST

| ITEM | QTY | PART NUMBER | DESCRIPTION | MATERIAL | WEIGHT |
|------|-----|--------------------------------|--|---------------------|---------|
| 1 | 3 | Button Head Bolt 1/2" x 1 1/4" | Hexagon Socket Button Head Cap Bolt 1/2" x 1 1/4" - requires 5/16" hex key | Stainless Steel | 1/8 lbs |
| 2 | 3 | Stainless Steel Washer 1/2" | Stainless Steel Washer 1/2" OD 1 1/4" Thick .05" | Stainless Steel | |
| 3 | 3 | Drop-in Concrete Insert 1/2" | Drop-in Concrete Insert 1/2" - requires 5/8" x 2" hole (dia. x depth) | Steel Plated | 1/8 lbs |
| 4 | 1 | R7906 Flanged Bollard | R7906 Flanged Bollard Assembly | Steel Powder Coated | 30 lbs |



Unit 207, 6450 - 148 Street, Surrey, BC V3S 7G7, Canada
 1-877-789-3245 info@reliance-foundry.com
www.reliance-foundry.com

| | | | |
|--------------------------------|--------|--------------|--|
| TITLE | | | |
| Bike Bollard, R-7906-FL | | | |
| SIZE | DWG NO | REV | |
| C | R-7906 | C3 | |
| NOT TO SCALE | | SHEET 5 OF 5 | |