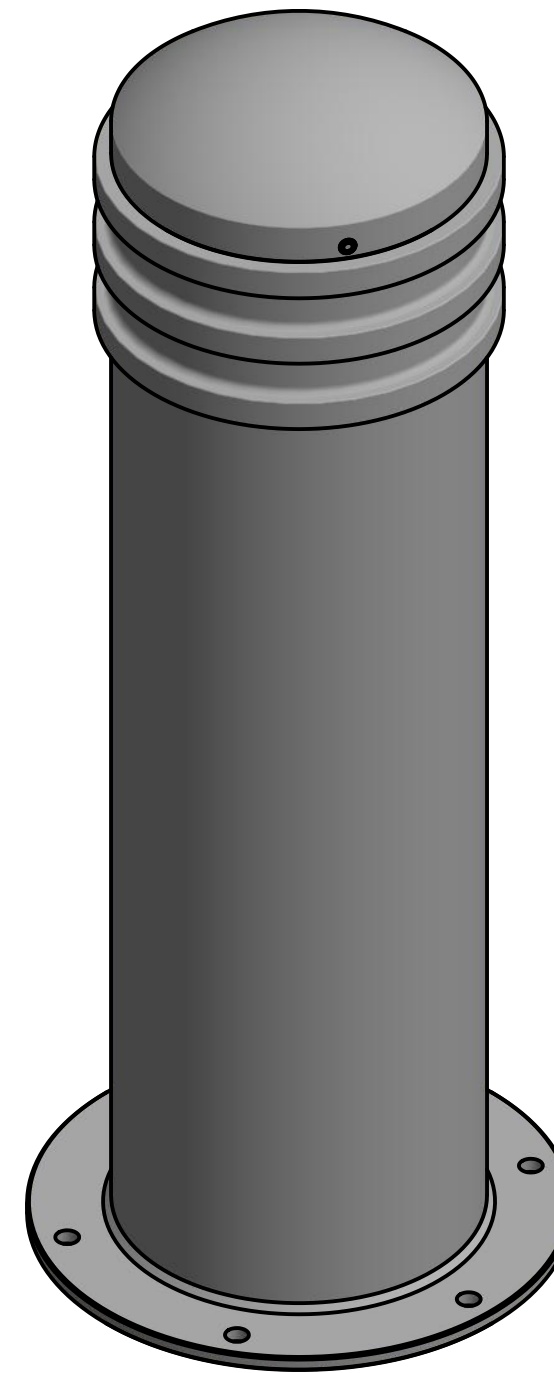
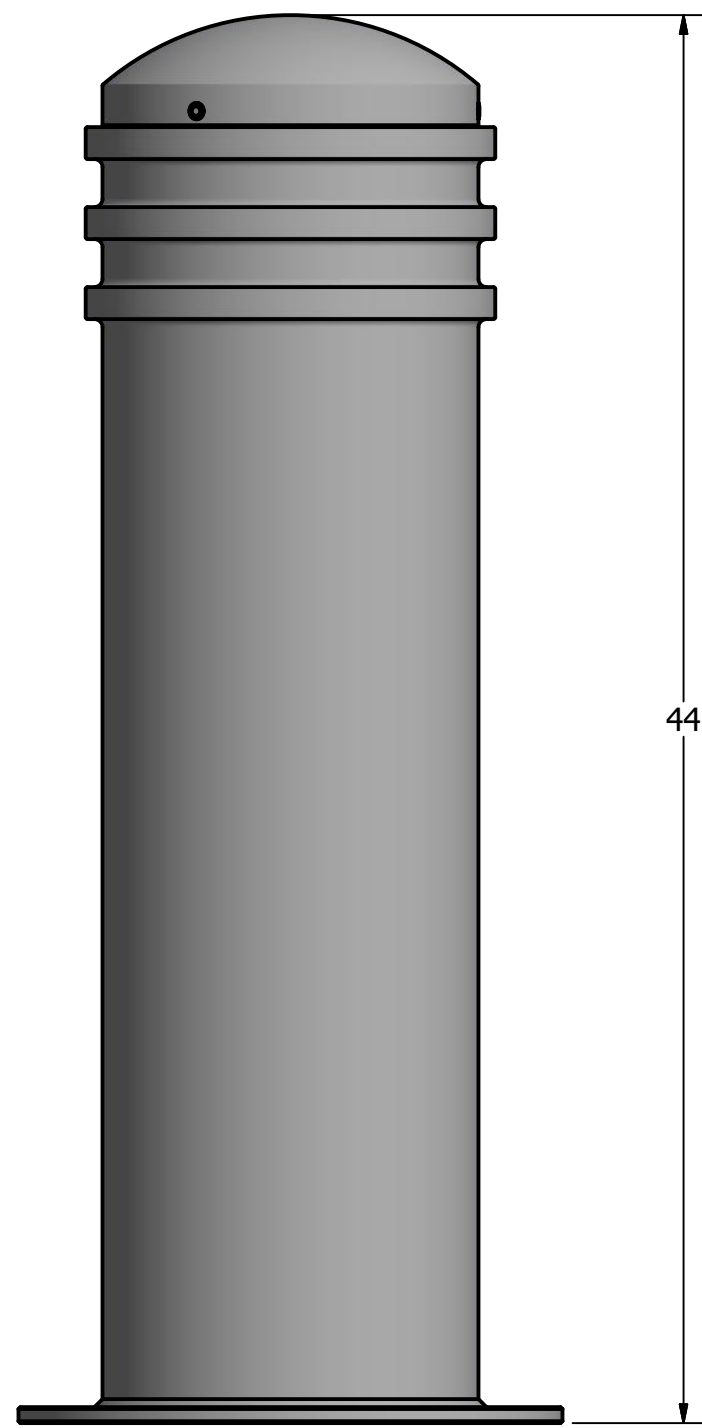
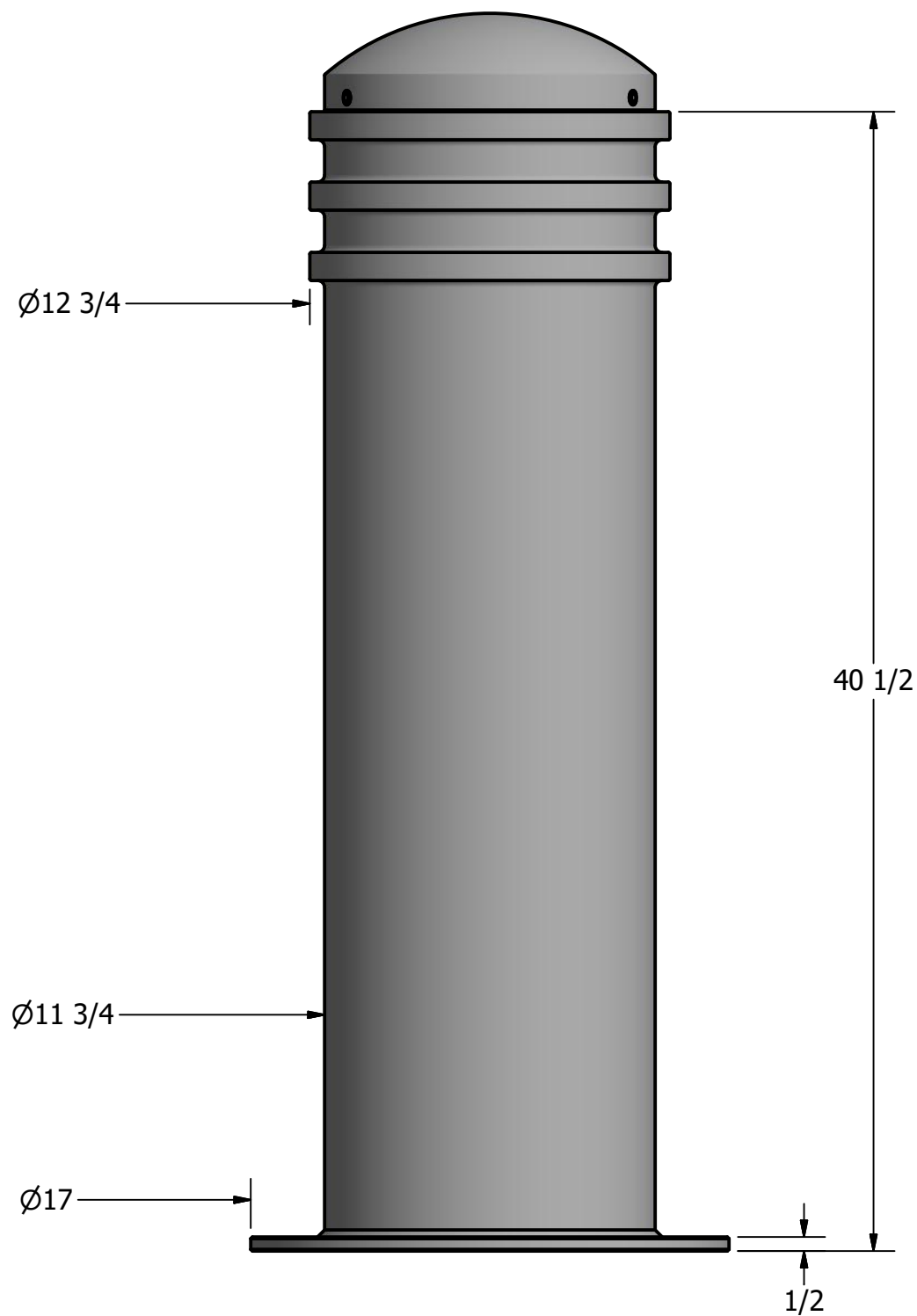
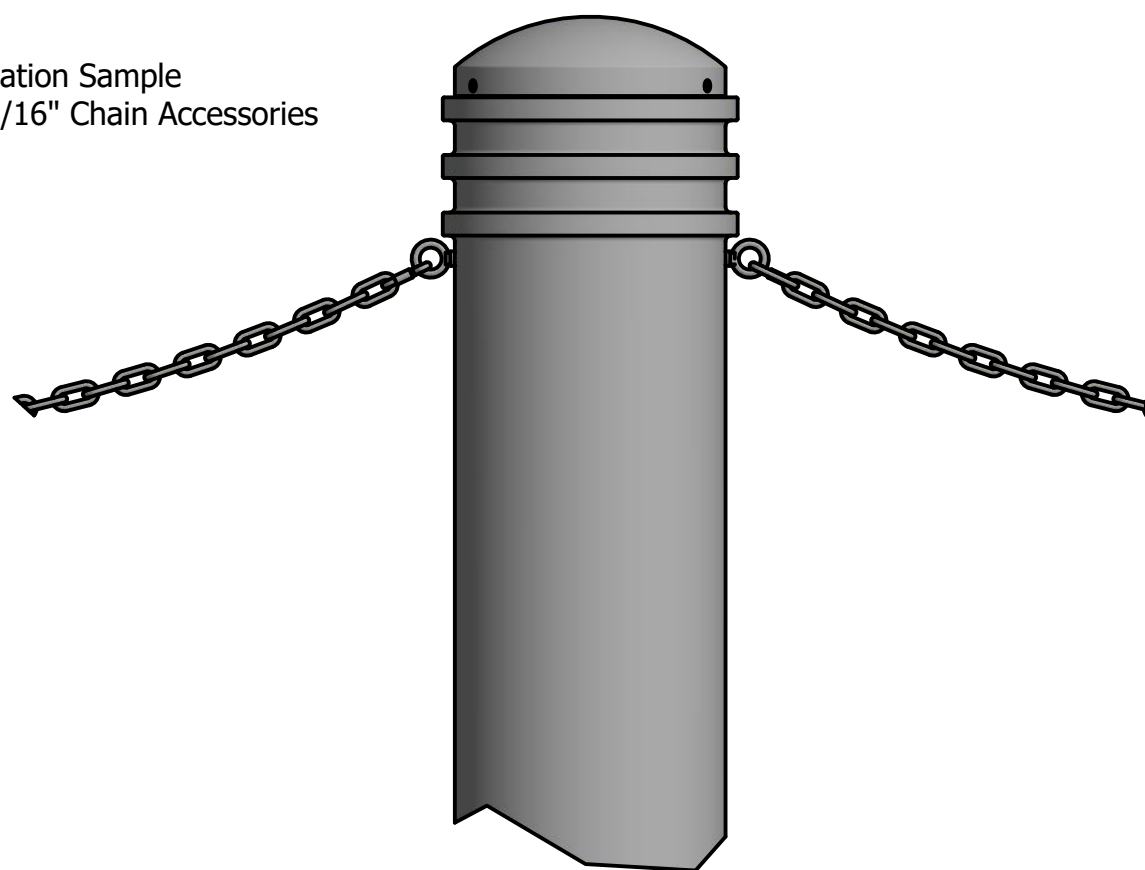


Bollard R-7743-FL

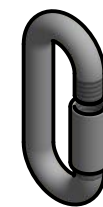
D
C
B
A



Installation Sample with 5/16" Chain Accessories



Bollard Chain Eye 3/8" (Powder Coated)



Quick Link Connector 5/16" (Powder Coated)



Bollard Chain 5/16" (Powder Coated)

Optional Accessories:

- Chain Eye 3/8"
- Quick link 5/16"
- Chain 5/16"

See Reliance Foundry's optional accessories at: www.reliance-foundry.com/bollard/accessories-bollards

General Description:

The R-7743-FL Decorative Bollard offers a clean, simple design suitable for any location. Made from resilient carbon steel, its wide body suits larger pipe reinforcement (up to 10-3/4" diameter) for better impact protection. Bollard surfaces are protected by a durable powder coating, available in 6 standard colors, to prevent wear and corrosion. Use as fixed, stand-alone bollards or cover impact-resistant security posts.

Specifications:

Height: 44"
 Body Diameter: 11 3/4"
 Base Diameter: 17"
 Weight: 170 lbs (Bollard Only)
 Material: Steel Body with Ductile Iron Cap
 Max. Interior Security Post Size:
 10 3/4" x 39" (Diameter x Height)

Finish Options:

Polyester Powdercoated

See Reliance Foundry's standard color options at: www.reliance-foundry.com/bollard/colors-bollards

Installation Options:

Flanged - With or Without Post in Existing Concrete (see sheet 2 of 2)

For more information on bollard post installation, please visit: www.reliance-foundry.com/bollard/installation-bollards

Care and Maintenance:

Reliance's line of bollards are finished with a long-lasting powder-coating. Proper care and maintenance are required. Regularly-performed inspections and routine cleaning will ensure that a bollard retains its aesthetic appeal and does not become damaged by the elements.

See Reliance Foundry's maintenance guide at: www.reliance-foundry.com/bollard/maintenance-bollards

RELIANCE FOUNDRY
 SINCE 1925

Unit 207, 6450 - 148 Street, Surrey, BC V3S 7G7, Canada
 1-888-735-5680 info@reliance-foundry.com
www.reliance-foundry.com

TITLE

Bollard R-7743-FL

SIZE	DWG NO	REV
C	R7743FL	C2

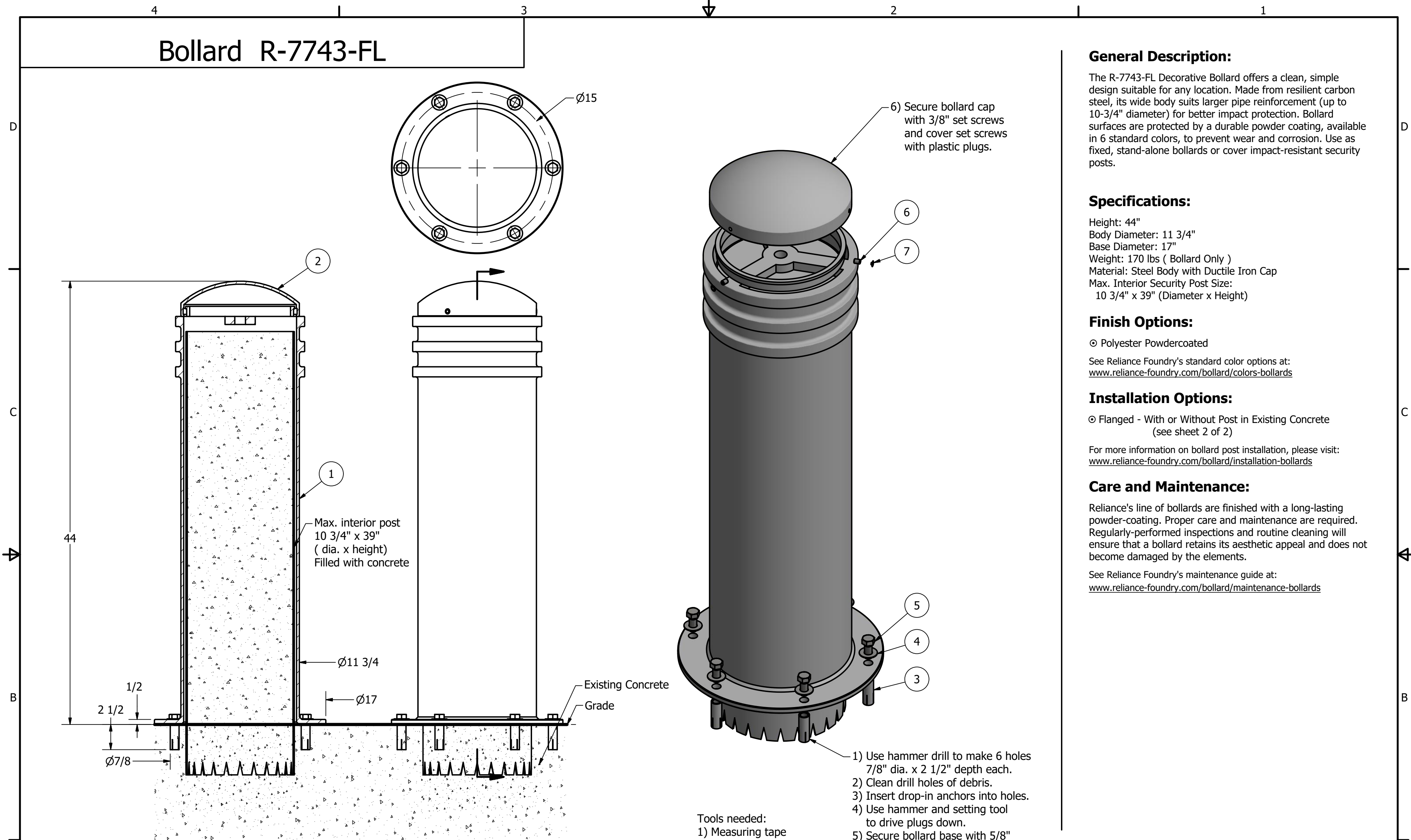
4

3

2

1

Bollard R-7743-FL



General Description:
 The R-7743-FL Decorative Bollard offers a clean, simple design suitable for any location. Made from resilient carbon steel, its wide body suits larger pipe reinforcement (up to 10-3/4" diameter) for better impact protection. Bollard surfaces are protected by a durable powder coating, available in 6 standard colors, to prevent wear and corrosion. Use as fixed, stand-alone bollards or cover impact-resistant security posts.

Specifications:
 Height: 44"
 Body Diameter: 11 3/4"
 Base Diameter: 17"
 Weight: 170 lbs (Bollard Only)
 Material: Steel Body with Ductile Iron Cap
 Max. Interior Security Post Size:
 10 3/4" x 39" (Diameter x Height)

Finish Options:
 ☉ Polyester Powdercoated
 See Reliance Foundry's standard color options at:
www.reliance-foundry.com/bollard/colors-bollards

Installation Options:
 ☉ Flanged - With or Without Post in Existing Concrete (see sheet 2 of 2)
 For more information on bollard post installation, please visit:
www.reliance-foundry.com/bollard/installation-bollards

Care and Maintenance:
 Reliance's line of bollards are finished with a long-lasting powder-coating. Proper care and maintenance are required. Regularly-performed inspections and routine cleaning will ensure that a bollard retains its aesthetic appeal and does not become damaged by the elements.
 See Reliance Foundry's maintenance guide at:
www.reliance-foundry.com/bollard/maintenance-bollards

- Notes:**
 1) Bollard post is provided as shown. Concrete, foundation and/or installation ordered separately or provided by others.
 2) Minimum foundation sizes depend on local soil conditions, weather conditions, and engineering requirements.
 3) Dimensions provided herein is for reference only. Please consult Reliance Foundry sales professionals if any dimension is critical to your particular installation.
 4) Reliance Foundry reserves the right to amend design and specifications without prior notice for product improvement.

- Tools needed:**
 1) Measuring tape
 2) 3/16" hex keys
 3) 15/16" wrench
 4) Hammer drill
 5) 7/8" masonry drill bit
 6) Hammer
 7) Drop-in concrete insert setting tool

PARTS LIST

ITEM	QTY	PART NUMBER	DESCRIPTION	MATERIAL	WEIGHT
1	1	R7743FB	R7743 Flanged Base	Steel Powder Coated	158 lbs
2	1	R7743C	R7743 Cap	Ductile Iron Powder Coated	12 lbs
3	6	Drop-in Concrete Insert 5/8"	Drop-in Concrete Insert 5/8" - requires 7/8" x 2 1/2" hole (dia. x depth)	Steel Plated	1/4 lbs
4	6	Stainless Steel Washer 5/8"	Stainless Steel Washer 5/8" OD 1 1/2" Thick .06"	Stainless Steel	
5	6	Hex Bolt 5/8" x 1 1/2"	Hex Bolt 5/8" x 1 1/2" - requires 15/16" wrench	Stainless Steel	1/4 lbs
6	3	Hexagon Socket Set Screw 3/8" x 7/16"	Hexagon Socket Set Screw 3/8" x 7/16" - requires 3/16" hex key	Stainless Steel	
7	3	Polyethylene Plug 3/8"	Polyethylene Plug 3/8"	LDPE Black	

RELIANCE FOUNDRY
SINCE 1925

Unit 207, 6450 - 148 Street, Surrey, BC V3S 7G7, Canada
 1-888-735-5680 info@reliance-foundry.com
www.reliance-foundry.com

Bollard R-7743-FL

SIZE	DWG NO	REV
C	R7743FL	C2

NOT TO SCALE SHEET 2 OF 2