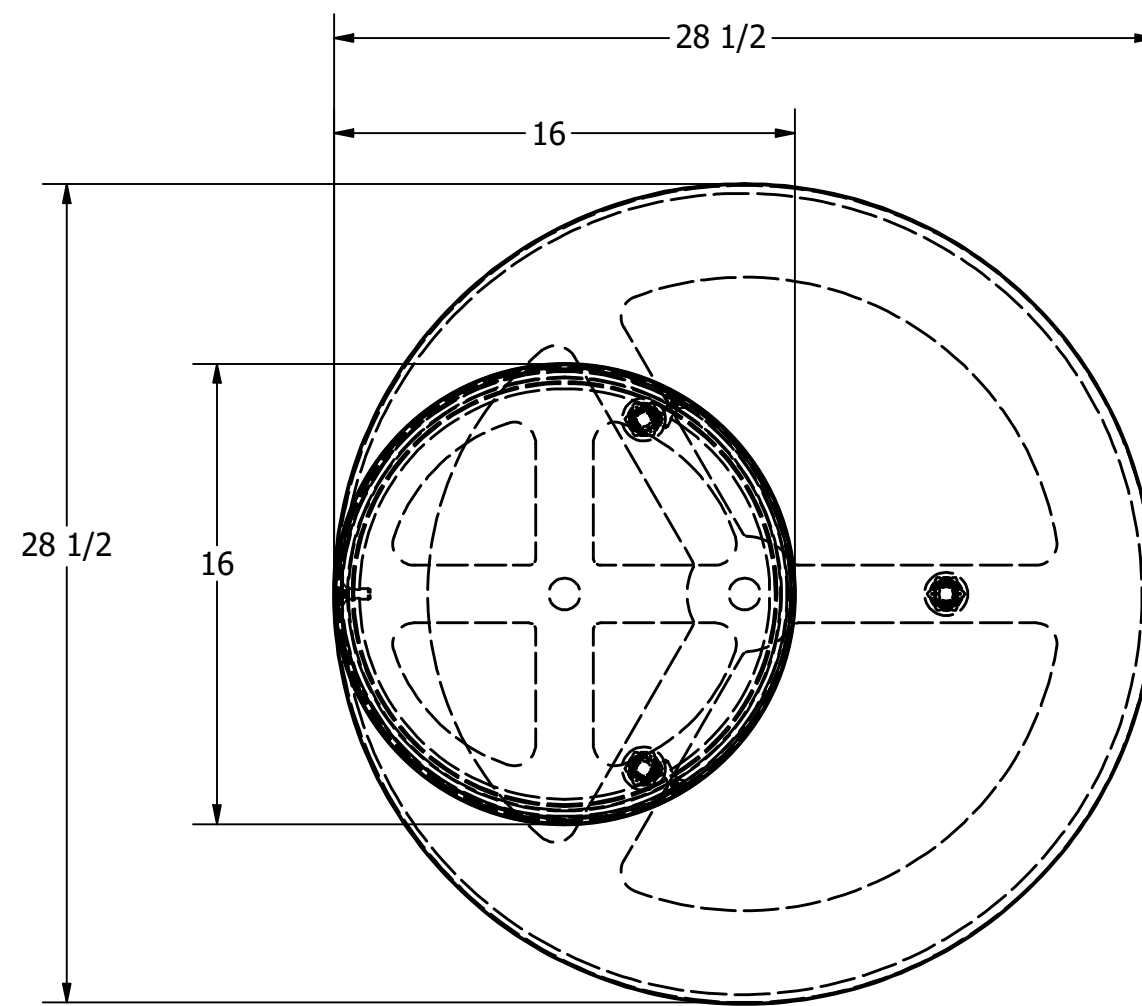


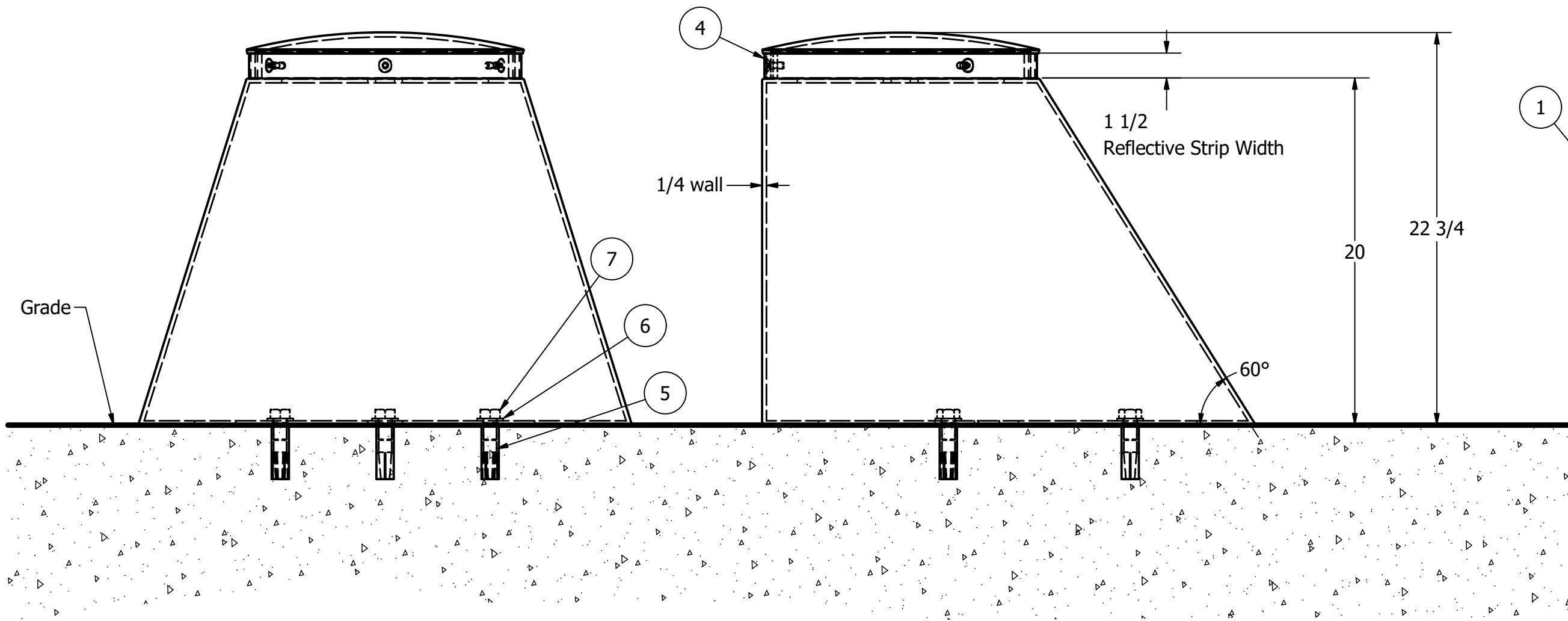
Align holes on Cap and Base, secure Cap with 3/8" countersunk screws, then cover with self-adhesive reflective tape



Top View

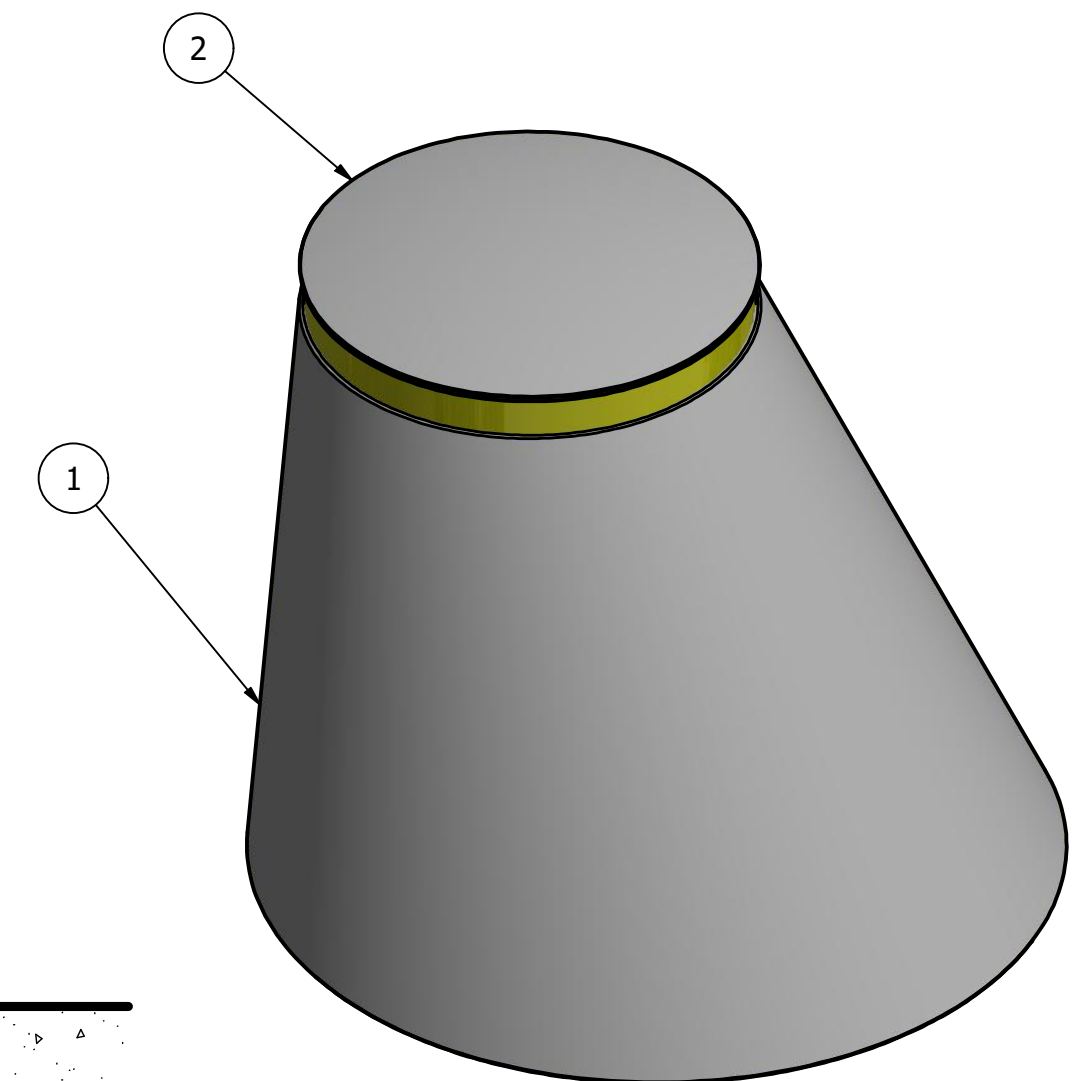
## R-7661 Surface Mount Martello Bollard

The R-7661 Martello Bollard offers a unique blend of functionality and aesthetics--designed to draw vehicle attention and protect pedestrian areas. Conceptualized by Billings Jackson Design, its obtuse shape is modeled after historic Martello towers once prized as defensive outposts due to their solid form and construction. R-7661 bollards are surface mounted for easy installation. They define perimeters that are solely visual and offer little impact resistance. Steel construction comes powder coated in 1 of 6 standard colors. Copyright Billings Jackson Design.



Front View

Side View



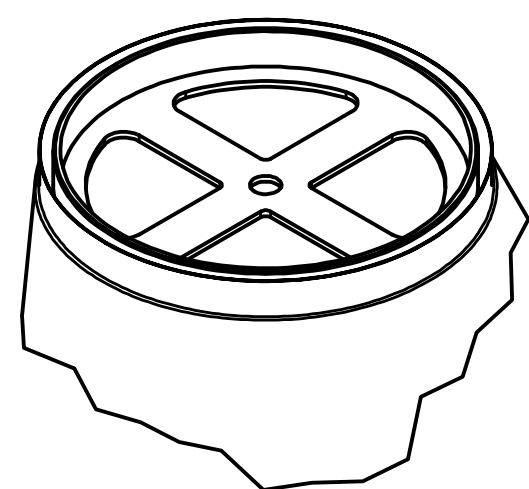
Isometric View

PARTS LIST						
ITEM	QTY	PART NUMBER	DESCRIPTION	MATERIAL	WEIGHT	
1	1	R7661B	Bollard Base	Steel A36	140 lbs	
2	1	R7661C	Bollard Cap	Steel A36	20 lbs	
3	3	Hexagon Socket Flat Countersunk Screw 3/8" x 1"	Hexagon Socket Flat Countersunk Screw 3/8" x 1" - requires 5/16" hex key	Stainless Steel		
4	1	Self-adhesive Reflective Tape 1 1/2"	Self-adhesive Reflective Tape 1 1/2"			
5	3	Drop-in Concrete Insert 3/4"	Drop-in Concrete Insert 3/4" - requires 1" x 3 1/8" hole (dia. x depth)	Steel Plated	1/2 lbs	
6	3	Washer 3/4" OD 1 1/2"	Washer 3/4" OD 1 1/2" Thick 1/8"	Steel Plated		
7	3	Hex Bolt 3/4" x 1 1/4"	Hex Bolt 3/4" x 1 1/4" - requires 1 1/8" wrench	Steel Plated	1/4 lbs	

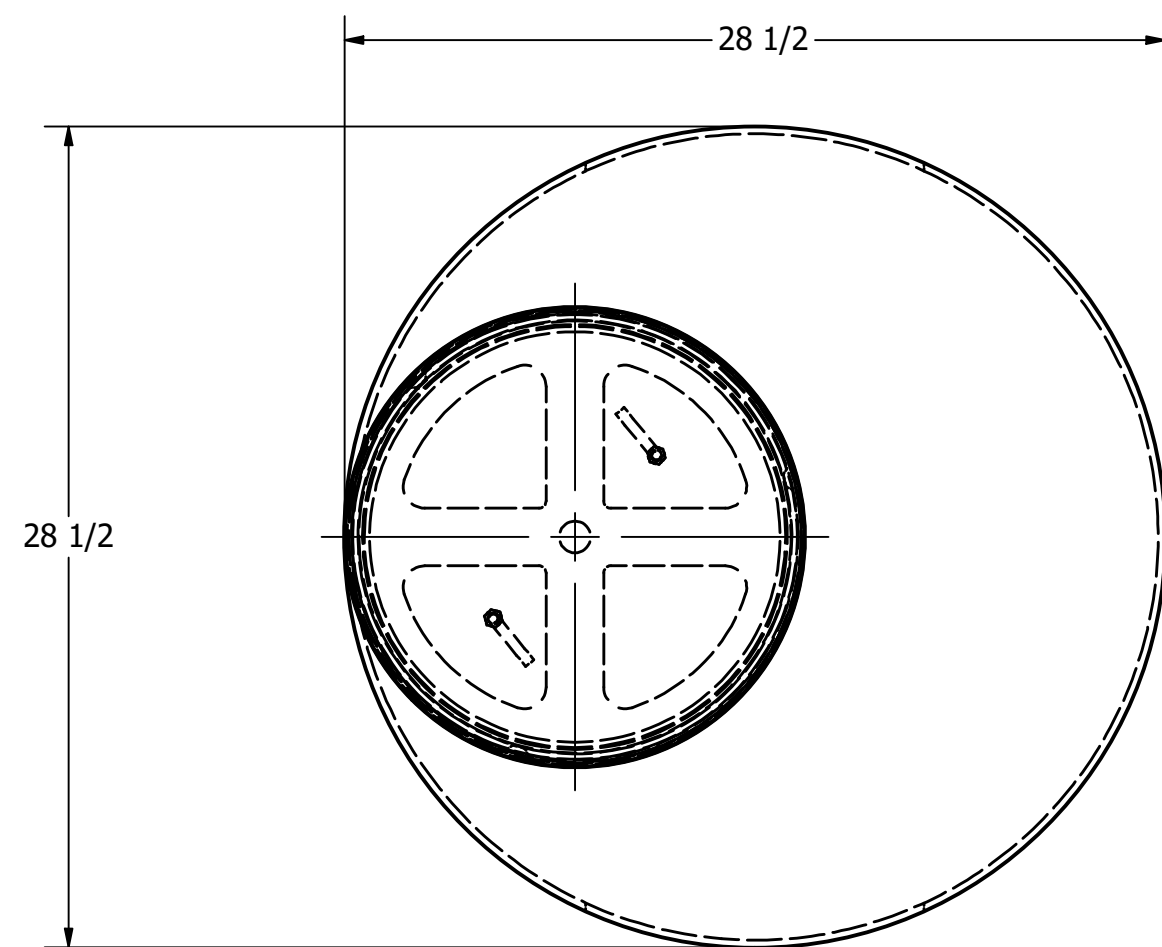
**RELIANCE FOUNDRY**  
SINCE 1925

Unit 207, 6450 - 148 Street, Surrey, BC V3S 7G7, Canada  
1-877-789-3245 info@reliance-foundry.com  
www.reliance-foundry.com

TITLE			
<b>Martello Bollard R-7661</b>			
SIZE	DWG NO	REV	
C	R7661	D3	



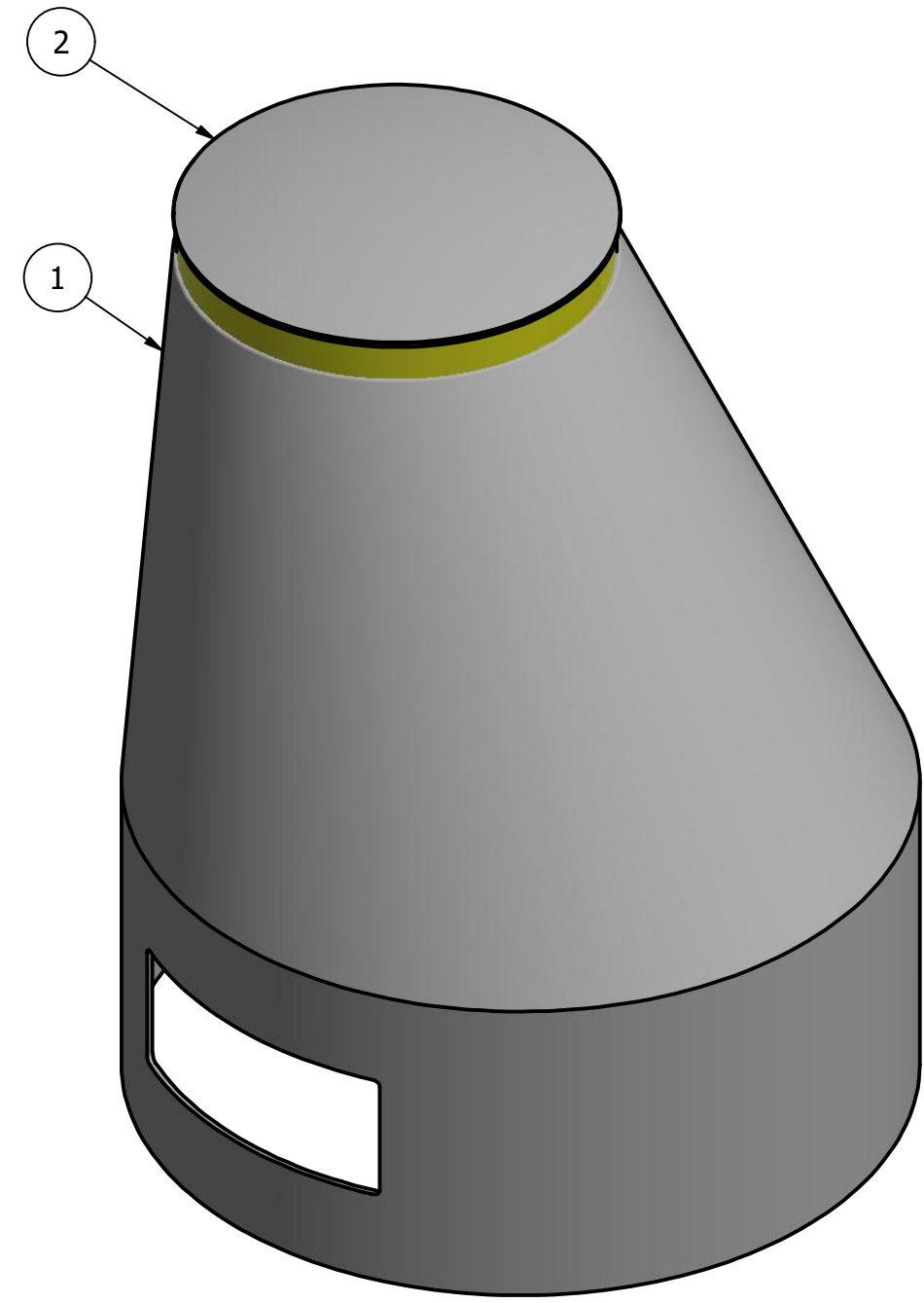
Isometric Top View Without Cover



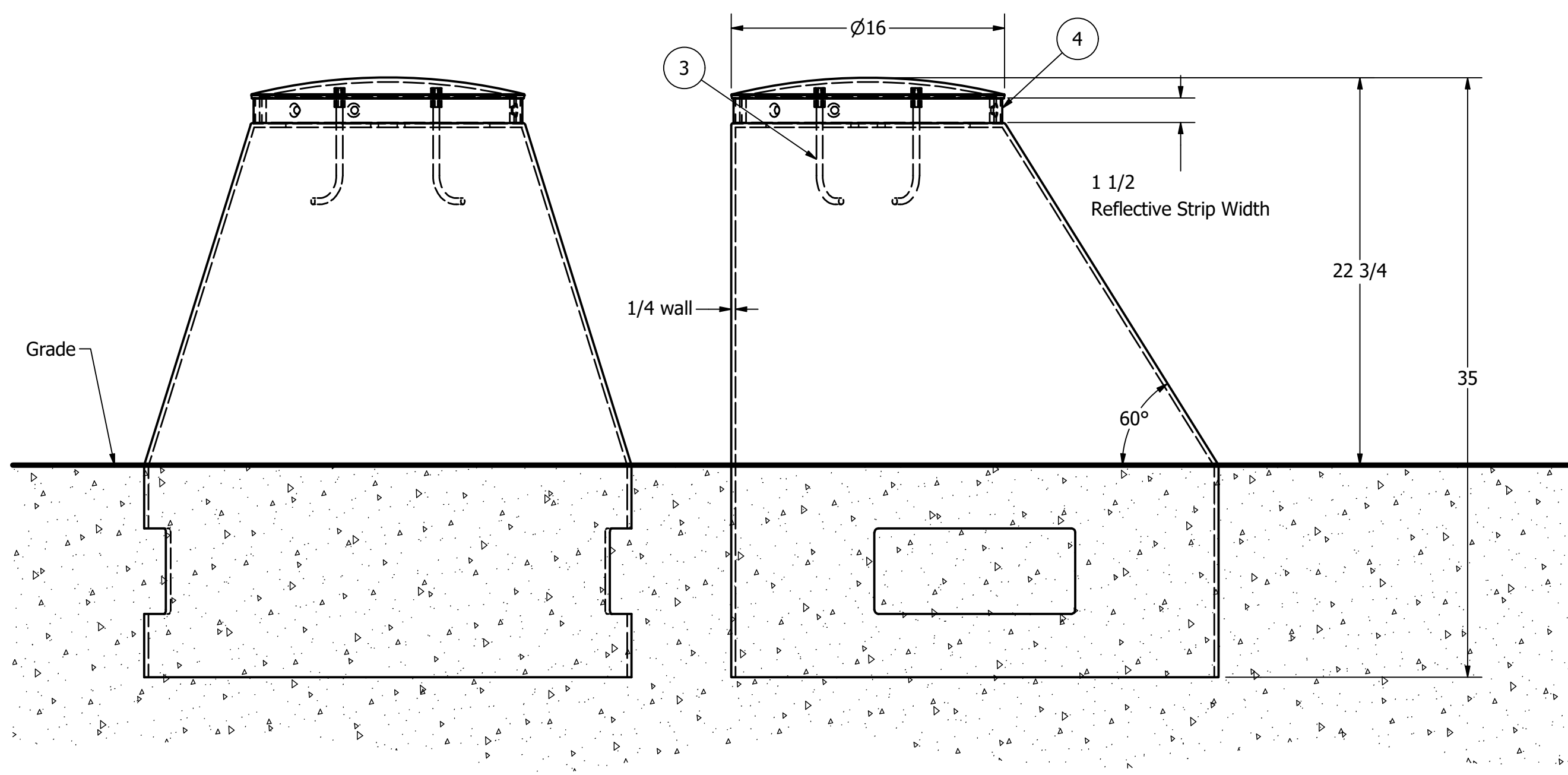
Top View

### R-7661-EM Embedded Mount Martello Bollard

The R-7661-EM Martello Bollard offers a unique blend of functionality and aesthetics--designed to draw vehicle attention and protect pedestrian areas. Conceptualized by Billings Jackson Design, its obtuse shape is modelled after historic Martello towers once prized as defensive outposts due to their solid form and construction. R-7661-EM bollards are embedded in ground to ensure a high level of impact protection. Steel construction comes powder coated in 1 of 6 standard colors. Copyright Billings Jackson Design.



Isometric View



Front View

Side View

- How to install:
- 1) Attach concrete anchor to bollard cover
  - 2) Fill bollard with concrete
  - 3) Fit bollard cover onto bollard body and set anchor in wet concrete
  - 4) Install reflective strip

PARTS LIST					
ITEM	QTY	PART NUMBER	DESCRIPTION	MATERIAL	WEIGHT
1	1	R7661EMB	Bollard Base	Steel A36	190 lbs
2	1	R7661EMC	Bollard Cap	Steel A36	20 lbs
3	2	J Bolt 3/8" x 6 1/2"	J Bolt 3/8" x 6 1/2"	Steel	1/4 lbs
4	1	Self-adhesive Reflective Tape 1 1/2"	Self-adhesive Reflective Tape 1 1/2"		

**RELIANCE FOUNDRY**  
— SINCE 1925 —

Unit 207, 6450 - 148 Street, Surrey, BC V3S 7G7, Canada  
1-877-789-3245 info@reliance-foundry.com  
www.reliance-foundry.com

TITLE: **Martello Bollard R-7661-EM**

SIZE <b>C</b>	DWG NO <b>R7661EM</b>	REV <b>D3</b>
------------------	--------------------------	------------------