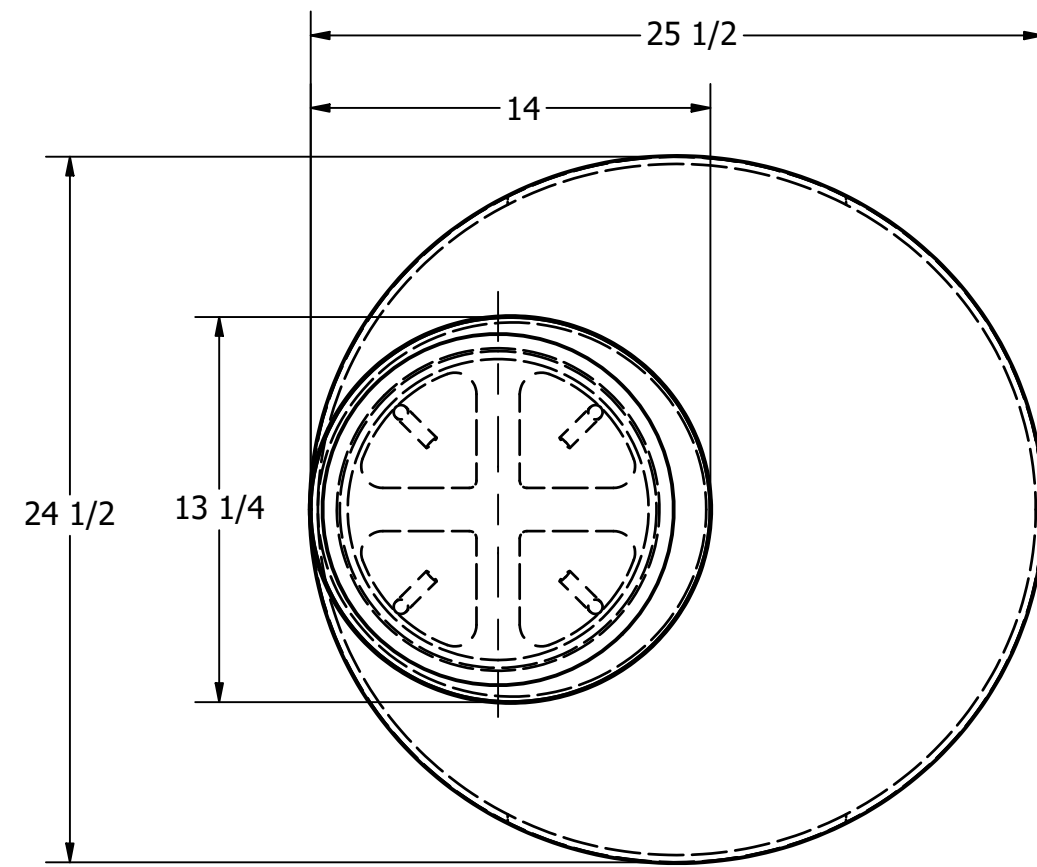


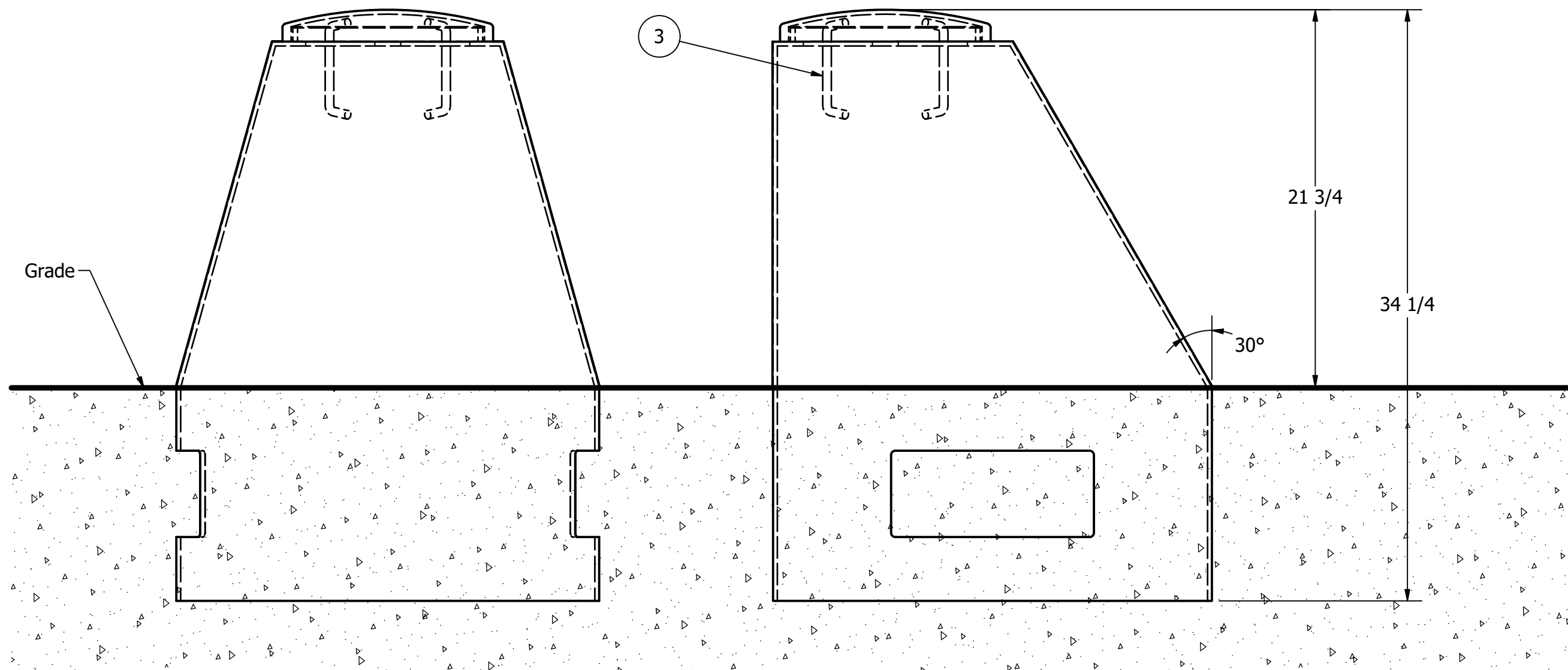
Isometric Top View
Without Cover



Top View

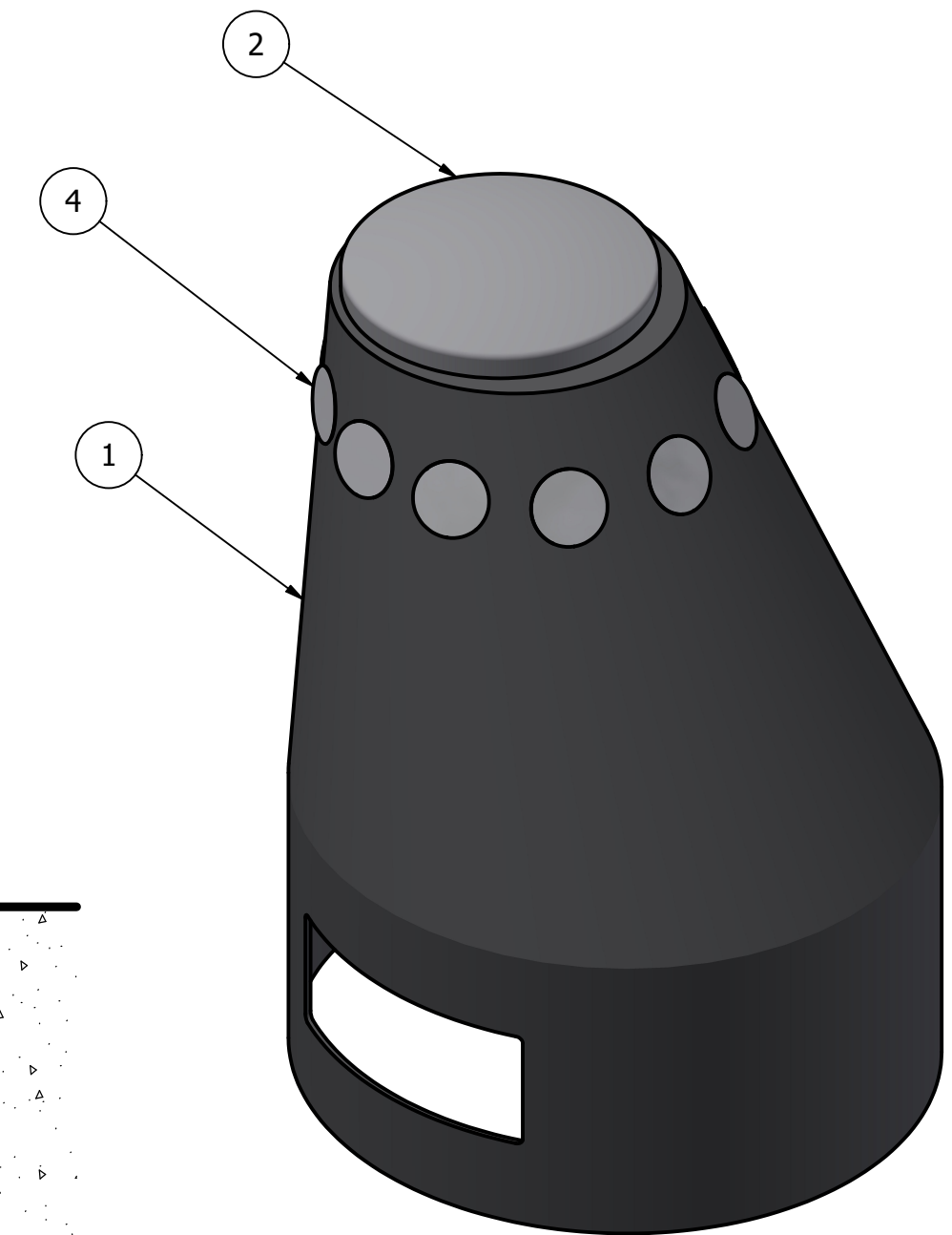
R-7651-EM Embedded Mount Martello Bollard™

The R-7651-EM Martello Bollard™ offers a unique blend of functionality and aesthetics--designed to draw vehicle attention and protect pedestrian areas. Conceptualized by Billings Jackson Design, its obtuse shape is modeled after historic Martello towers once prized as defensive outposts due to their solid form and construction. R-7651-EM bollards are embedded in ground to ensure a high level of impact protection. Steel construction comes powder coated. Copyright Billings Jackson Design.



Front View

Side View



Isometric View

- How to install:
- 1) Fill bollard with concrete
 - 2) Fit bollard cover onto bollard body and set anchor in wet concrete

PARTS LIST					
ITEM	QTY	PART NUMBER	DESCRIPTION	MATERIAL	WEIGHT (lb)
1	1	R-7651 Body	Bollard Body - Low Profile	Steel A36	157
2	1	R-7651 Cover	Bollard Cover - Low Profile (yellow or white)	Steel A36	12.9
3			Concrete Anchor	Steel A36	0.13
4	12	R-7651 Sticker	High Visibility Stickers (yellow or white)		0.12

RELIANCE FOUNDRY
— SINCE 1925 —

Unit 207, 6450 - 148 Street, Surrey, BC V3S 7G7, Canada
1-877-789-3245 info@reliance-foundry.com
www.reliance-foundry.com

TITLE
R-7651-EM Embedded Martello Bollard™

SIZE C	DWG NO R7651EM_public	REV E05
-----------	--------------------------	------------