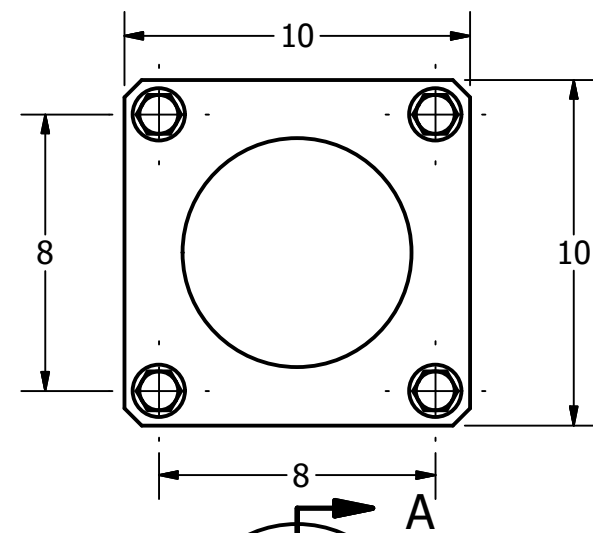


Bollard R-7648



- 1) Use hammer drill to make hole 1" dia. x 3 1/8" depth.
- 2) Clean drill hole of debris.
- 3) Insert drop-in anchor into hole to drive plug down.
- 4) Use hammer and setting tool to drive plug down.
- 5) Secure bollard base with 3/4" washer and 3/4" bolt.

General Description:

The R-7648 Bolt Down Bollard is a larger sized bollard at 48" tall for added visibility and security. Easy to install and relocate-both indoors and out. Made from powder-coated steel, it features a wide surface flange for effective stability. Pre-drill holes in existing concrete and bolt flange onto secured drop-in anchors. Select from 6 color options.

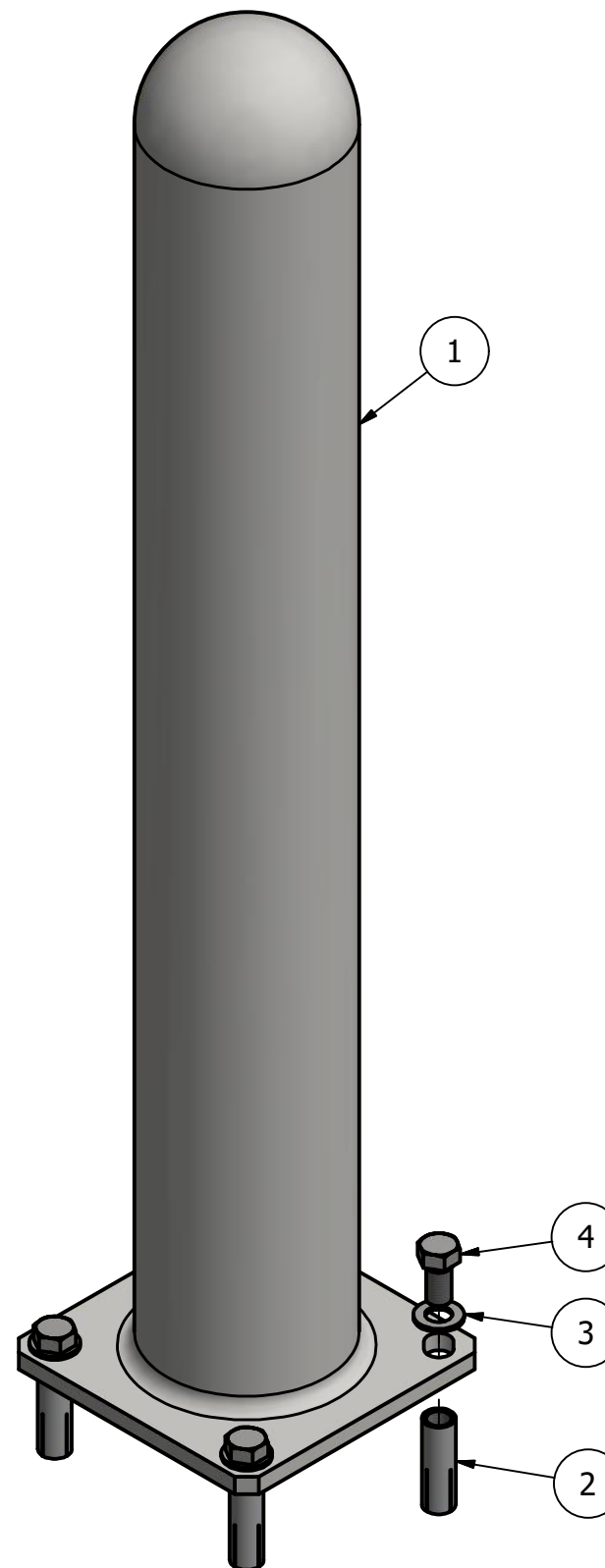
Specifications:

Height: 48"
 Diameter: 6 5/8"
 Weight: 87 lbs
 Material: Steel (ASTM A36)

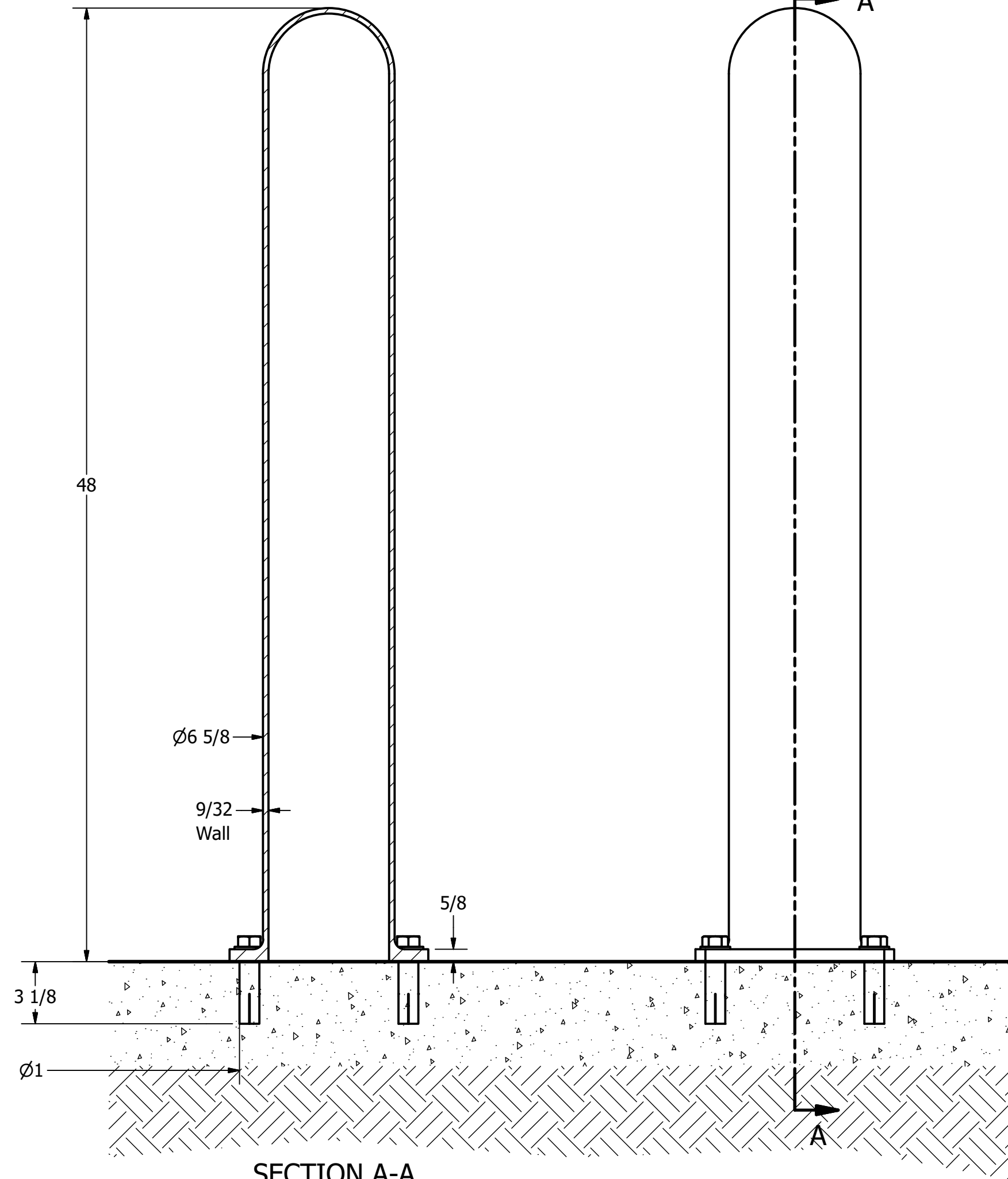
Finish Options:

- ⊙ Polyester Powdercoated

See Reliance Foundry's standard color options at: www.reliance-foundry.com/bollard/colors-bollards



- Tools needed:
- 1) Measuring tape
 - 2) 1 1/8" wrench
 - 3) Hammer drill
 - 4) 1" Masonry drill bit
 - 5) Hammer
 - 6) Drop-in concrete insert setting tool



SECTION A-A

PARTS LIST

ITEM	QTY	PART NUMBER	DESCRIPTION	MATERIAL	WEIGHT
1	1	R-7648	R7648 Bollard	Steel Powder Coated	87 lbs
2	4	Drop-in Concrete Insert 3/4"	Drop-in Concrete Insert 3/4" - requires 1" x 3 1/8" hole (dia. x depth)	Steel Plated	1/2 lbs
3	4	Stainless Steel Washer 3/4"	Stainless Steel Washer 3/4" OD 1 1/2" Thick .12"	Stainless Steel	
4	4	Hex Bolt 3/4" x 1 1/2"	Hex Bolt 3/4" x 1 1/2" - requires 1 1/8" wrench	Stainless Steel	1/4 lbs

RELIANCE FOUNDRY
 SINCE 1925

Unit 207, 6450 - 148 Street, Surrey, BC V3S 7G7, Canada
 1-877-789-3245 info@reliance-foundry.com
www.reliance-foundry.com

TITLE

Bollard R-7648

SIZE
C

DWG NO
R7648

REV
C1

COPYRIGHT RESERVED THIS PLAN DRAWING AND DESIGN ARE, AND AT ALL TIMES REMAIN, THE EXCLUSIVE PROPERTY OF RELIANCE FOUNDRY CO. LTD.

NOT TO SCALE

SHEET 1 OF 1