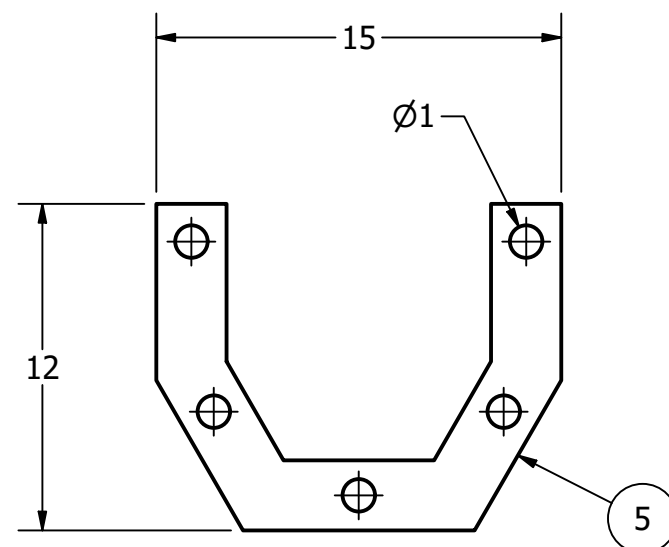
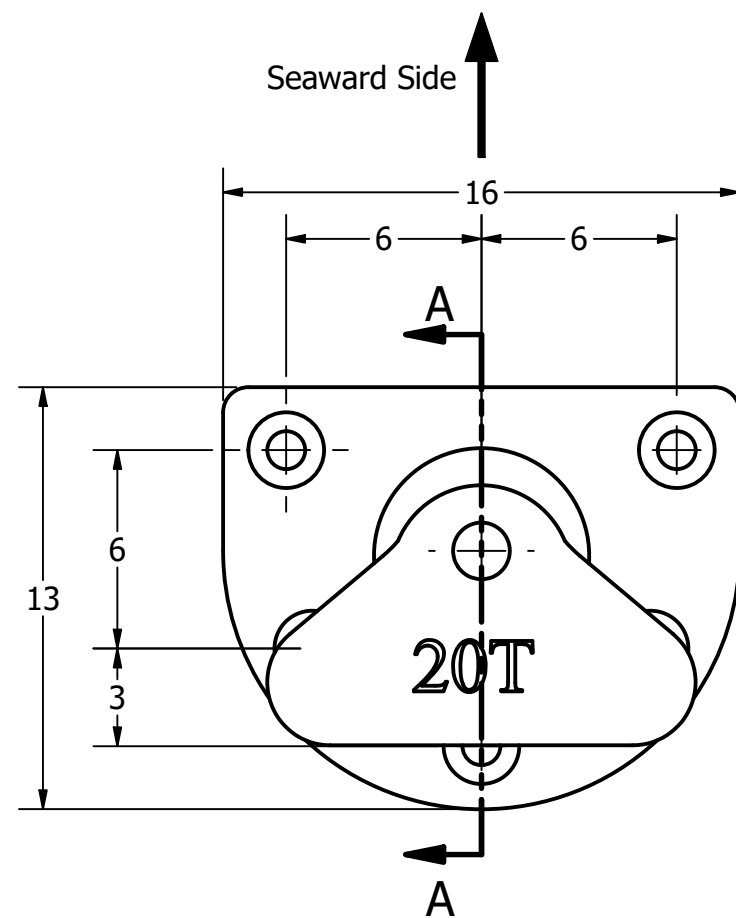
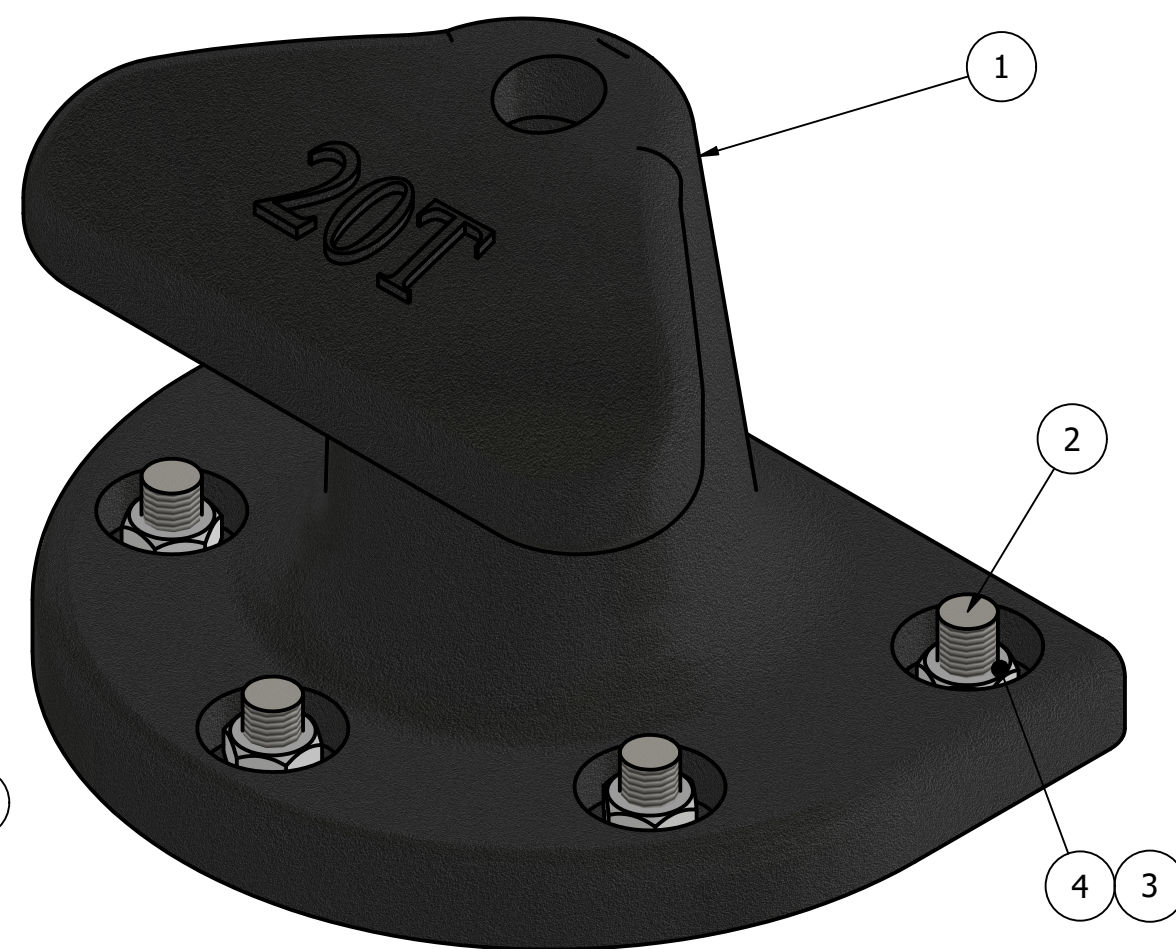


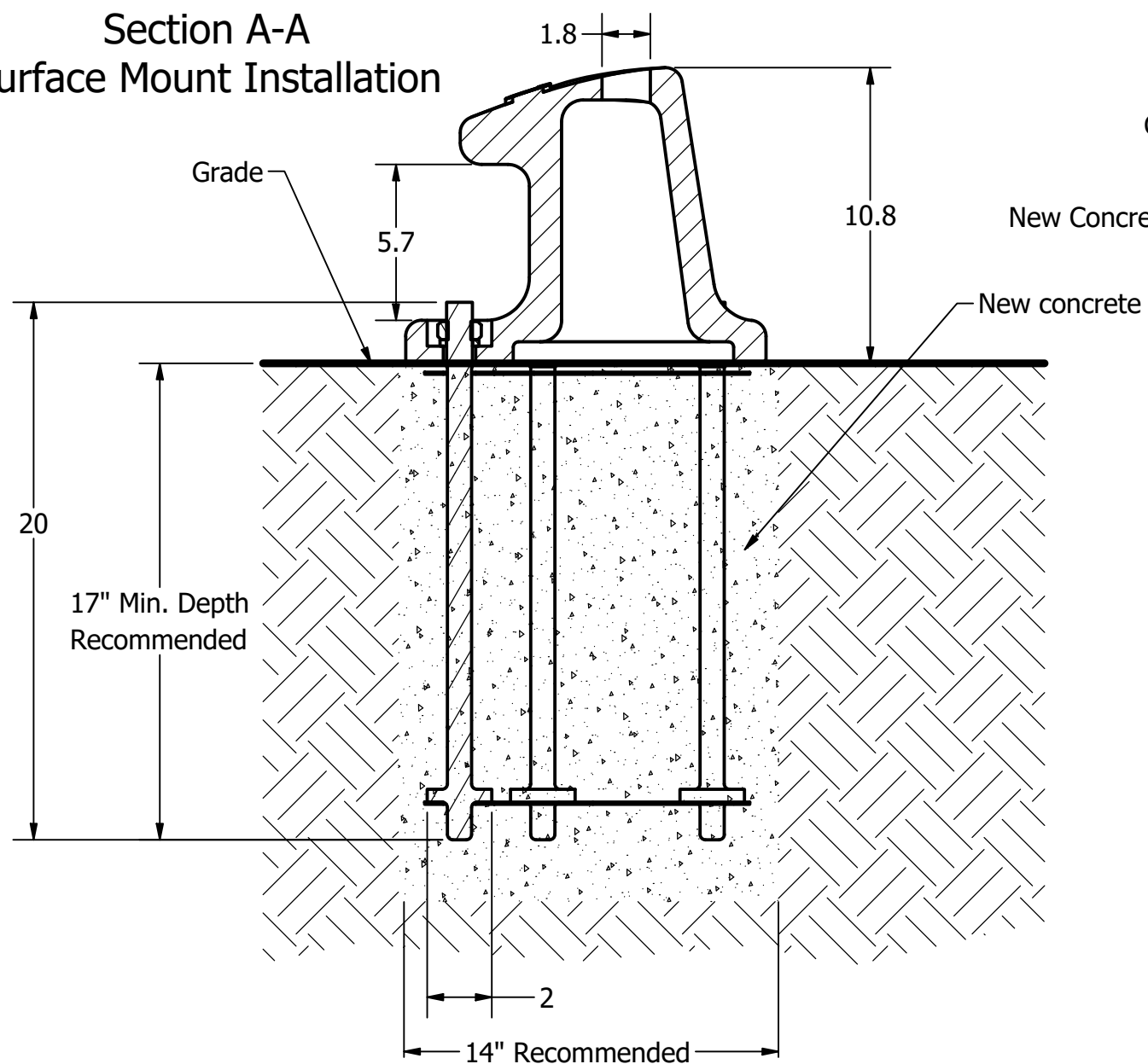
R-7512 T-Head Mooring Bollard



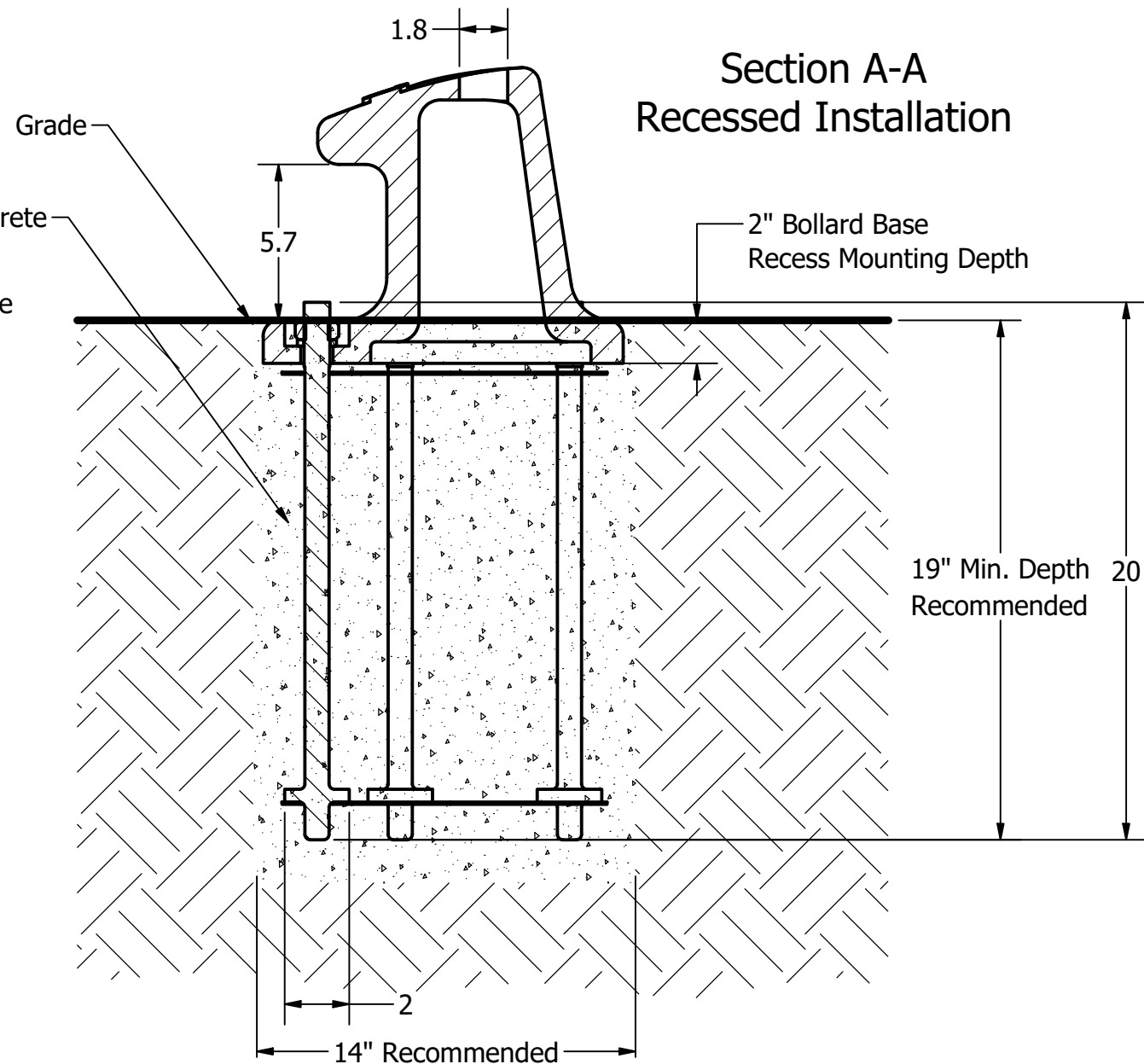
Bolt Template
Use two bolt templates to locate and align the Bolts vertically straight.
0.08" Thickness



Section A-A
Surface Mount Installation



Section A-A
Recessed Installation



General Description:

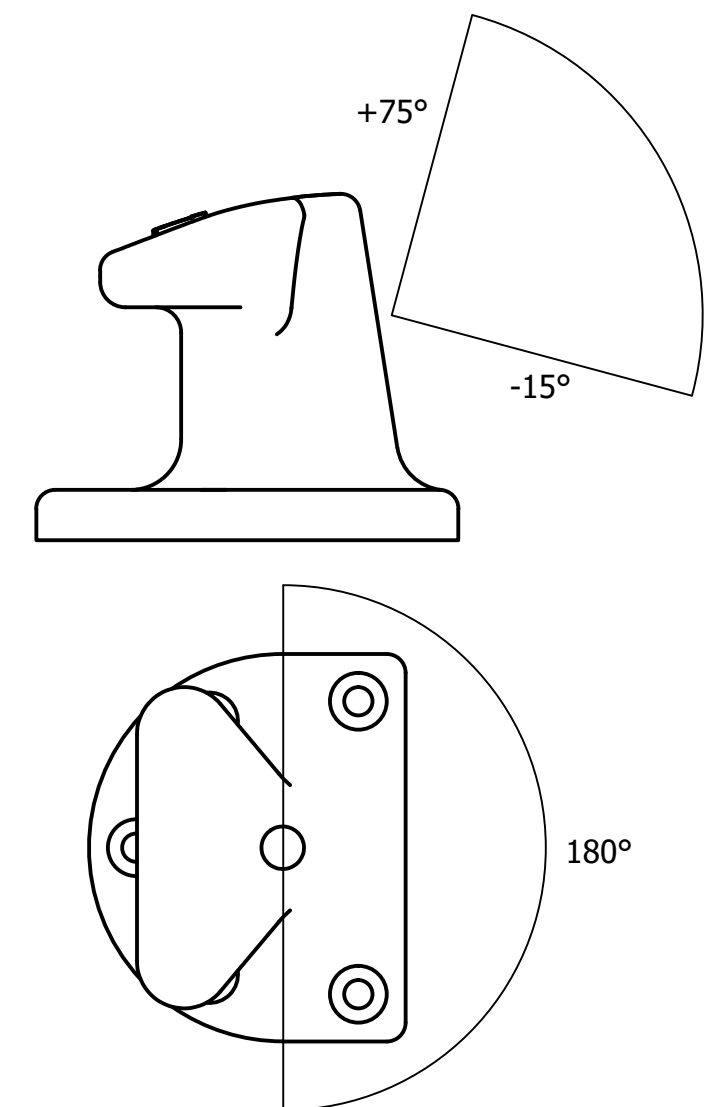
The R-7512 T-Head Mooring Bollard is a specially-designed marine bollard for carrying wire ropes. The bollard has a "T" shaped top, a simple and efficient shape for securing marine vessels up to 20 metric tonnes to a wharf, and is suitable for steeper rope angles. This bollard is suitable for rope angles from +75° to -15° (see diagram below).

For more information on bollard post installation, please visit: www.reliance-foundry.com/bollard/installation-bollards

Specifications:

- Height: 10.8"
- Base Dimension: 16" x 13"
- Weight: 205 lbs
- Material: Cast Steel ZG230-450
- Finish: IronArmor Black

Recommended Line Angle



Notes:

- Embedment details are for reference illustration only. Minimum foundation sizes depend on local conditions, weather conditions, and engineering requirements.
- Bollard is provided as shown, with parts listed below. Concrete foundation and/or installation not provided by Reliance Foundry.
- This drawing is not drawn to scale. Dimensions provided herein is for reference only. Please consult Reliance Foundry sales professionals if any dimension is critical to your particular installation.
- Reliance Foundry reserves the right to amend design and specifications without prior notice for product improvement.

PARTS LIST

ITEM	QTY	PART NUMBER	DESCRIPTION	MATERIAL	WEIGHT
1	1	R7512-001	20 Tonne T-Head Mooring Bollard Base	Cast Steel ZG230-450	180 lbs
2	5	R7512-002	Bolt M24 , Bolt length 19.7"	Steel 45, Grade 8.8	4.2 lbs
3	5	R7512-003	Spilt Lock Washer M24, OD 1.44" x ID .97"	Steel 45, Grade 8.8	0.05 lbs
4	5	R7512-004	Hex Nut M24	Steel 45, Grade 8.8	0.1 lbs
5	2	R7512-005	Bolt Template, 0.08" Thickness	Q235	1.5 lbs

RELIANCE FOUNDRY
SINCE 1925

Unit 207, 6450 - 148 Street, Surrey, BC V3S 7G7, Canada
1-877-789-3245 info@reliance-foundry.com
www.reliance-foundry.com

TITLE

R-7512 T-Head Mooring Bollard

SIZE
C

DWG NO
R7512_public

REV
A03