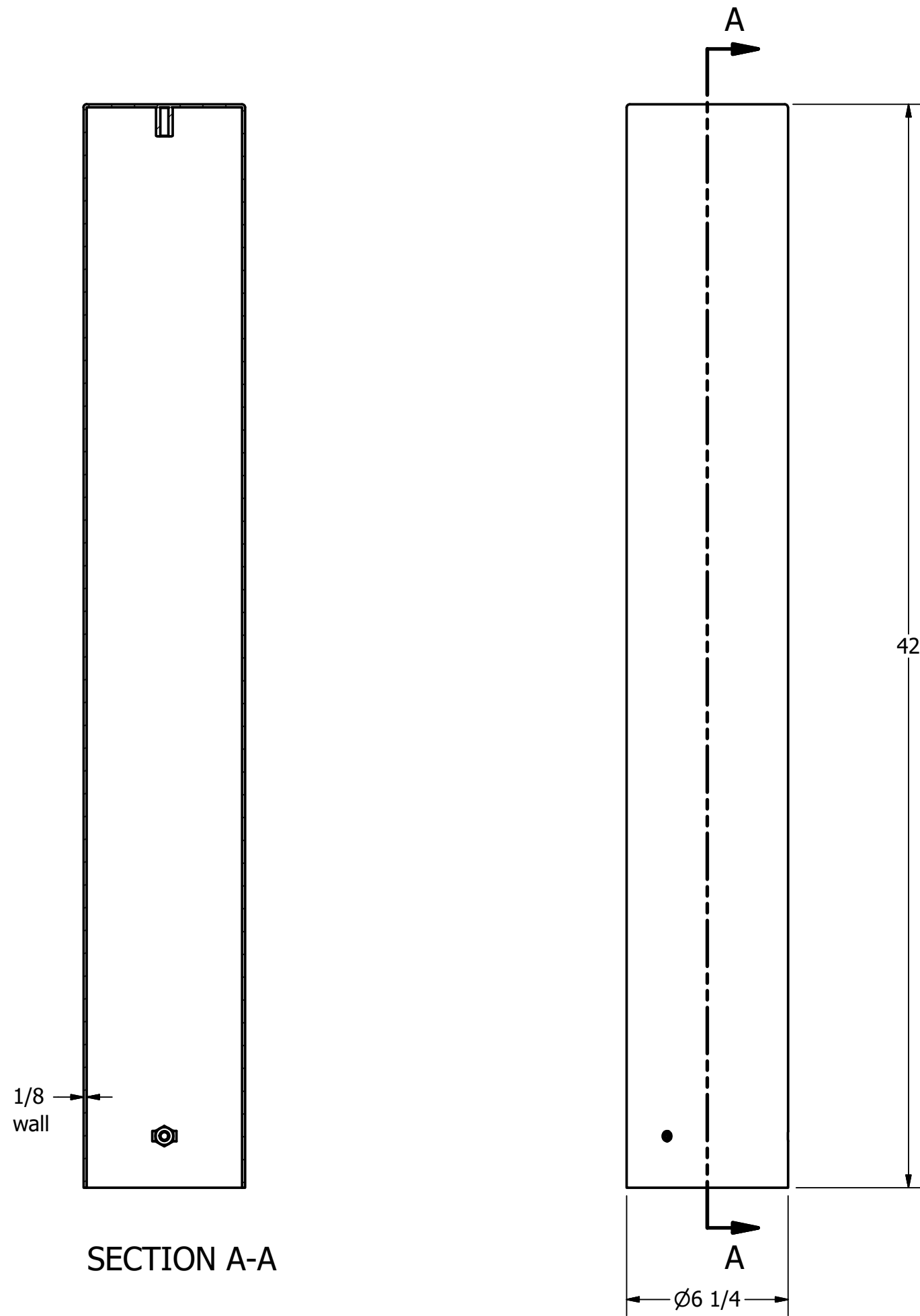


Bollard Cover R-7303-EX



General Description:

R-7303-EX Stainless Steel Bollard Covers offer the most versatile protection for posts under 4-1/2 inches in diameter. This is a taller model in comparison with the R-7303 with a height of 42 inches and features a flat top. Increase visibility and aesthetics of steel pipe security posts, while ensuring protection from wear and corrosion. 4 installation types available: Spray foam adhesive, set screws, top hanger, or J hanger. Covers are made from corrosion-resistant 316 stainless steel. Optional powder coating is available in 1 of 6 custom colors.

Specifications:

Height: 42"
 Base Diameter: 6 1/4"
 Weight: 30 lbs (Bollard Only)
 Material: Stainless Steel 316
 Max. Interior Security Post Size:
 4 1/2" x 40" (Diameter x Height)

Finish Options:

- Satin #6 Buffed
- Polyester Powdercoated (Additional service charge)

See Reliance Foundry's standard color options at:
www.reliance-foundry.com/bollard/colors-bollards

Installation Options:

- Set Screw Installation Option
(see sheet 2 of 5)
- Adhesive Foam Installation Option
(see sheet 3 of 5)
- Top Hanger Installation in Existing Concrete
(see sheet 4 of 5)
- J Hanger Installation in New Concrete
(see sheet 5 of 5)

For more information on bollard post installation, please visit:
www.reliance-foundry.com/bollard/installation-bollards

Care and Maintenance:

Despite its natural anti-corrosion properties, stainless steel may corrode if cautionary procedures are not followed, or if products are neglected for extended periods of time. High-saline environments or other areas with high exposure to chlorides may increase risk of stainless steel corrosion. Regular cleaning will maintain optimal condition and appearance.

See Reliance Foundry's maintenance guide at:
www.reliance-foundry.com/bollard/stainless-steel-maintenance

RELIANCE FOUNDRY
 SINCE 1925

Unit 207, 6450 - 148 Street, Surrey, BC V3S 7G7, Canada
 1-888-735-5680 info@reliance-foundry.com
www.reliance-foundry.com

| | | | |
|--------------------------------|---------|--------------|--|
| TITLE | | | |
| Bollard Cover R-7303-EX | | | |
| SIZE | DWG NO | REV | |
| C | R7303EX | C | |
| NOT TO SCALE | | SHEET 1 OF 5 | |

Bollard Cover R-7303-EX

General Description:

R-7303-EX Stainless Steel Bollard Covers offer the most versatile protection for posts under 4-1/2 inches in diameter. This is a taller model in comparison with the R-7303 with a height of 42 inches and features a flat top. Increase visibility and aesthetics of steel pipe security posts, while ensuring protection from wear and corrosion. 4 installation types available: Spray foam adhesive, set screws, top hanger, or J hanger. Covers are made from corrosion-resistant 316 stainless steel. Optional powder coating is available in 1 of 6 custom colors.

Specifications:

Height: 42"
 Base Diameter: 6 1/4"
 Weight: 30 lbs (Bollard Only)
 Material: Stainless Steel 316
 Max. Interior Security Post Size:
 4 1/2" x 40" (Diameter x Height)

Finish Options:

- Satin #6 Buffed
- Polyester Powdercoated (Additional service charge)

See Reliance Foundry's standard color options at:
www.reliance-foundry.com/bollard/colors-bollards

Installation Options:

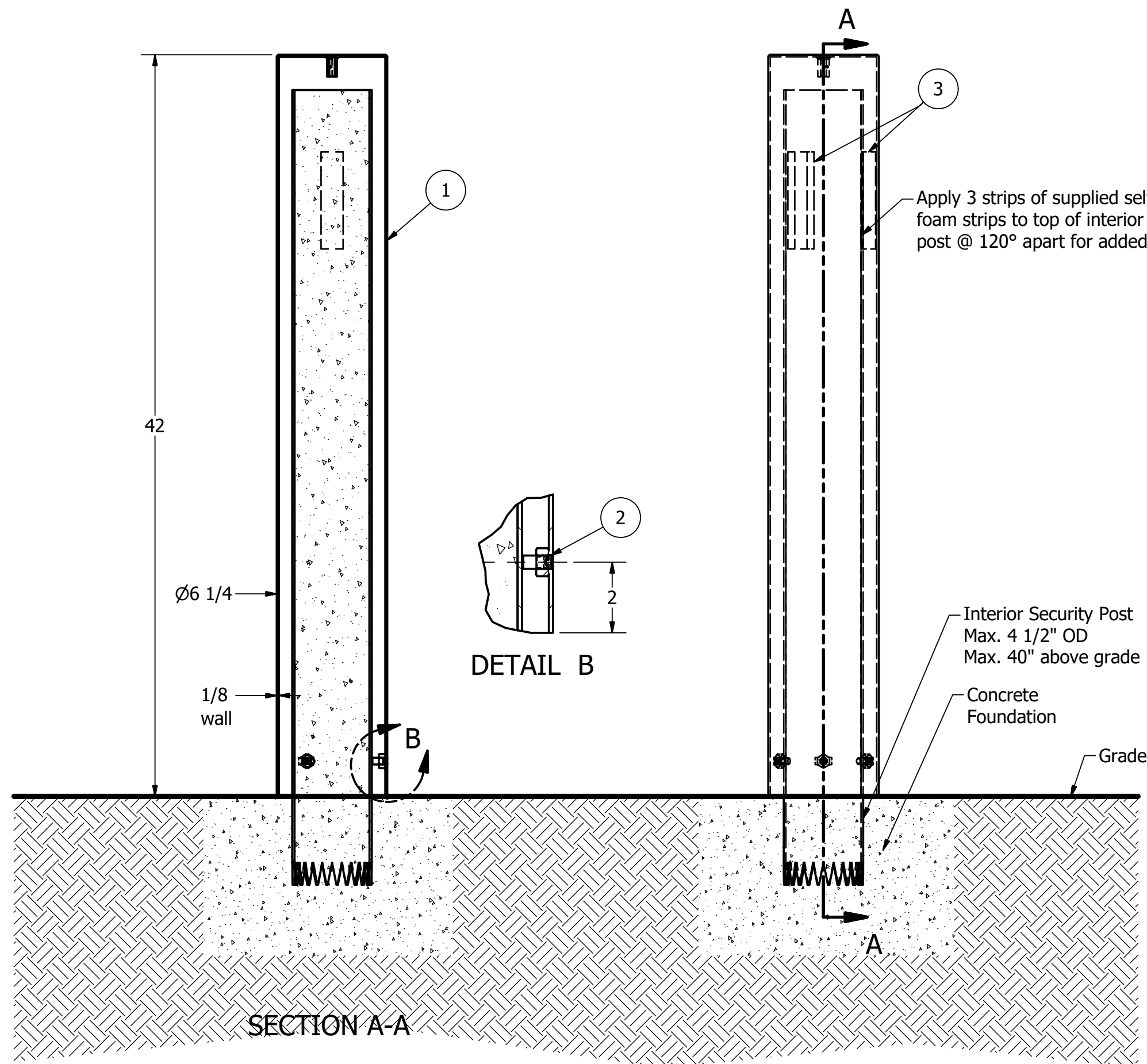
- Set Screw Installation Option (see sheet 2 of 5)
- Adhesive Foam Installation Option (see sheet 3 of 5)
- Top Hanger Installation in Existing Concrete (see sheet 4 of 5)
- J Hanger Installation in New Concrete (see sheet 5 of 5)

For more information on bollard post installation, please visit:
www.reliance-foundry.com/bollard/installation-bollards

Care and Maintenance:

Despite its natural anti-corrosion properties, stainless steel may corrode if cautionary procedures are not followed, or if products are neglected for extended periods of time. High-saline environments or other areas with high exposure to chlorides may increase risk of stainless steel corrosion. Regular cleaning will maintain optimal condition and appearance.

See Reliance Foundry's maintenance guide at:
www.reliance-foundry.com/bollard/stainless-steel-maintenance



Set Screw Installation Option

Notes:

- 1) Bollard cover is provided as shown. Concrete, foundation and/or installation ordered separately or provided by others.
- 2) Minimum foundation sizes depend on local soil conditions, weather conditions, and engineering requirements.
- 3) Dimensions provided herein is for reference only. Please consult Reliance Foundry sales professionals if any dimension is critical to your particular installation.
- 4) Reliance Foundry reserves the right to amend design and specifications without prior notice for product improvement.

PARTS LIST

| ITEM | QTY | PART NUMBER | DESCRIPTION | MATERIAL | WEIGHT |
|------|-----|--------------------------------------|---|---------------------|--------|
| 1 | 1 | R7303EX Bollard Cover | R7303EX Stainless Steel Bollard Cover | Stainless Steel 316 | 30 lbs |
| 2 | 3 | Hexagon Socket Set Screw 3/8" x 7/8" | Hexagon Socket Set Screw 3/8" x 7/8" - requires 3/16" hex key | Stainless Steel | |
| 3 | 3 | Foam Strip | Self-adhesive Neoprene Foam Strip | Synthetic Rubber | |

RELIANCE FOUNDRY
 SINCE 1925

Unit 207, 6450 - 148 Street, Surrey, BC V3S 7G7, Canada
 1-888-735-5680 info@reliance-foundry.com
www.reliance-foundry.com

TITLE

Bollard Cover R-7303-EX

SIZE
C

DWG NO
R7303-EX

REV
C

Bollard Cover R-7303-EX

General Description:

R-7303-EX Stainless Steel Bollard Covers offer the most versatile protection for posts under 4-1/2 inches in diameter. This is a taller model in comparison with the R-7303 with a height of 42 inches and features a flat top. Increase visibility and aesthetics of steel pipe security posts, while ensuring protection from wear and corrosion. 4 installation types available: Spray foam adhesive, set screws, top hanger, or J hanger. Covers are made from corrosion-resistant 316 stainless steel. Optional powder coating is available in 1 of 6 custom colors.

Specifications:

Height: 42"
 Base Diameter: 6 1/4"
 Weight: 30 lbs (Bollard Only)
 Material: Stainless Steel 316
 Max. Interior Security Post Size:
 4 1/2" x 40" (Diameter x Height)

Finish Options:

- Satin #6 Buffed
- Polyester Powdercoated (Additional service charge)

See Reliance Foundry's standard color options at:
www.reliance-foundry.com/bollard/colors-bollards

Installation Options:

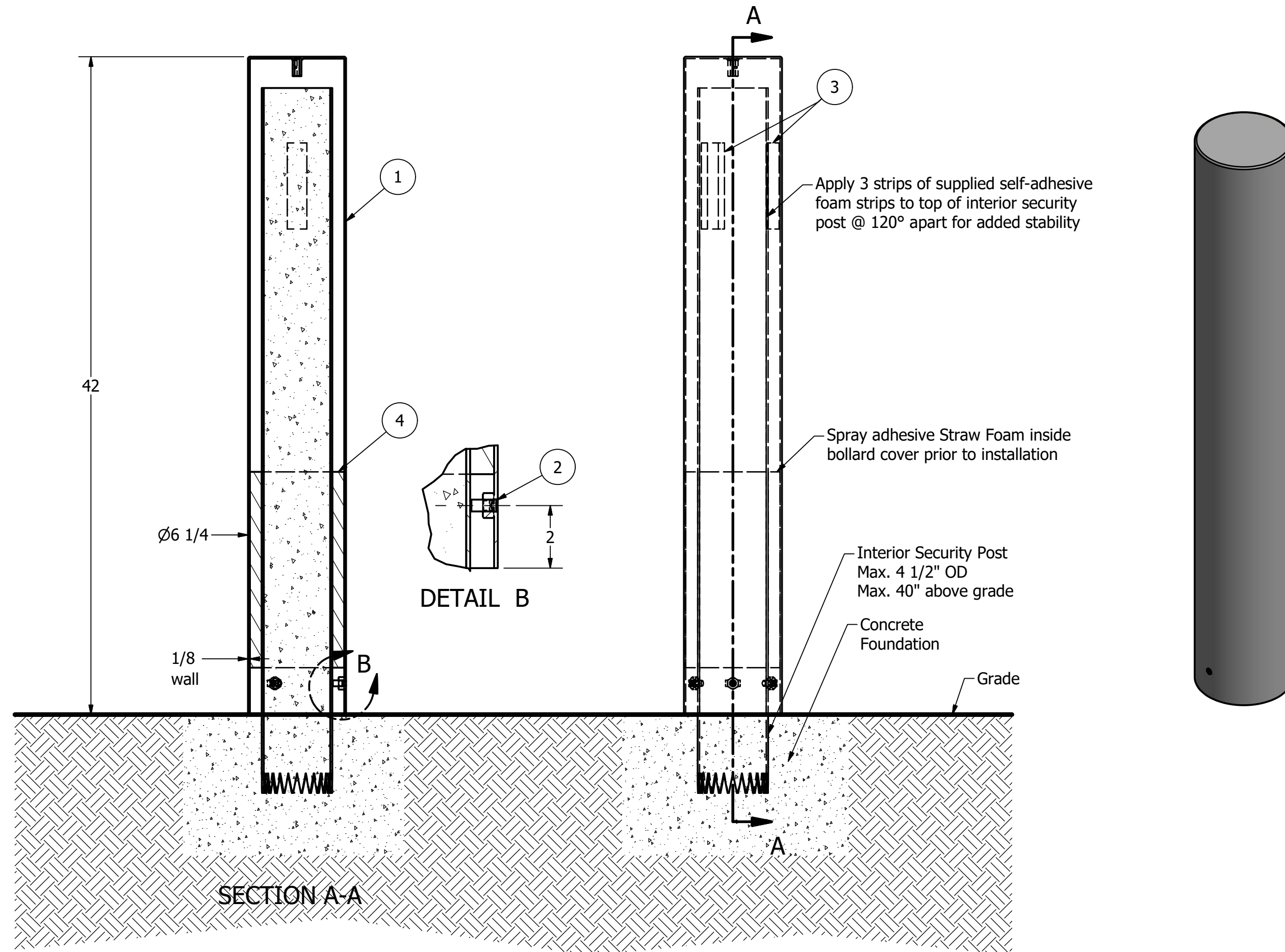
- Set Screw Installation Option
(see sheet 2 of 5)
- Adhesive Foam Installation Option
(see sheet 3 of 5)
- Top Hanger Installation in Existing Concrete
(see sheet 4 of 5)
- J Hanger Installation in New Concrete
(see sheet 5 of 5)

For more information on bollard post installation, please visit:
www.reliance-foundry.com/bollard/installation-bollards

Care and Maintenance:

Despite its natural anti-corrosion properties, stainless steel may corrode if cautionary procedures are not followed, or if products are neglected for extended periods of time. High-saline environments or other areas with high exposure to chlorides may increase risk of stainless steel corrosion. Regular cleaning will maintain optimal condition and appearance.

See Reliance Foundry's maintenance guide at:
www.reliance-foundry.com/bollard/stainless-steel-maintenance



Adhesive Foam Installation Option

Notes:

- 1) Bollard cover is provided as shown. Concrete, foundation and/or installation ordered separately or provided by others.
- 2) Minimum foundation sizes depend on local soil conditions, weather conditions, and engineering requirements.
- 3) Dimensions provided herein is for reference only. Please consult Reliance Foundry sales professionals if any dimension is critical to your particular installation.
- 4) Reliance Foundry reserves the right to amend design and specifications without prior notice for product improvement.

PARTS LIST

| ITEM | QTY | PART NUMBER | DESCRIPTION | MATERIAL | WEIGHT |
|------|-----|--------------------------------------|---|---------------------|--------|
| 1 | 1 | R7303EX Bollard Cover | R7303EX Stainless Steel Bollard Cover | Stainless Steel 316 | 30 lbs |
| 2 | 3 | Hexagon Socket Set Screw 3/8" x 7/8" | Hexagon Socket Set Screw 3/8" x 7/8" - requires 3/16" hex key | Stainless Steel | |
| 3 | 3 | Foam Strip | Self-adhesive Neoprene Foam Strip | Synthetic Rubber | |
| 4 | 1 | Straw Foam | PF-50 UltraSeal Straw Foam | Polyurethane Foam | |

COPYRIGHT RESERVED THIS PLAN DRAWING AND DESIGN ARE, AND AT ALL TIMES REMAIN, THE EXCLUSIVE PROPERTY OF RELIANCE FOUNDRY CO. LTD.

RELIANCE FOUNDRY
 SINCE 1925

Unit 207, 6450 - 148 Street, Surrey, BC V3S 7G7, Canada
 1-888-735-5680 info@reliance-foundry.com
www.reliance-foundry.com

Bollard Cover R-7303-EX

| | | |
|-----------|---------------------------------|----------|
| SIZE C | DWG NO R7303EX Bollard Cover | REV C |
|-----------|---------------------------------|----------|

NOT TO SCALE SHEET 3 OF 5

Bollard Cover R-7303-EX

General Description:

R-7303-EX Stainless Steel Bollard Covers offer the most versatile protection for posts under 4-1/2 inches in diameter. This is a taller model in comparison with the R-7303 with a height of 42 inches and features a flat top. Increase visibility and aesthetics of steel pipe security posts, while ensuring protection from wear and corrosion. 4 installation types available: Spray foam adhesive, set screws, top hanger, or J hanger. Covers are made from corrosion-resistant 316 stainless steel. Optional powder coating is available in 1 of 6 custom colors.

Specifications:

Height: 42"
 Base Diameter: 6 1/4"
 Weight: 30 lbs (Bollard Only)
 Material: Stainless Steel 316
 Max. Interior Security Post Size:
 4 1/2" x 40" (Diameter x Height)

Finish Options:

- Satin #6 Buffed
- Polyester Powdercoated (Additional service charge)

See Reliance Foundry's standard color options at:
www.reliance-foundry.com/bollard/colors-bollards

Installation Options:

- Set Screw Installation Option
(see sheet 2 of 5)
- Adhesive Foam Installation Option
(see sheet 3 of 5)
- Top Hanger Installation in Existing Concrete
(see sheet 4 of 5)
- J Hanger Installation in New Concrete
(see sheet 5 of 5)

For more information on bollard post installation, please visit:
www.reliance-foundry.com/bollard/installation-bollards

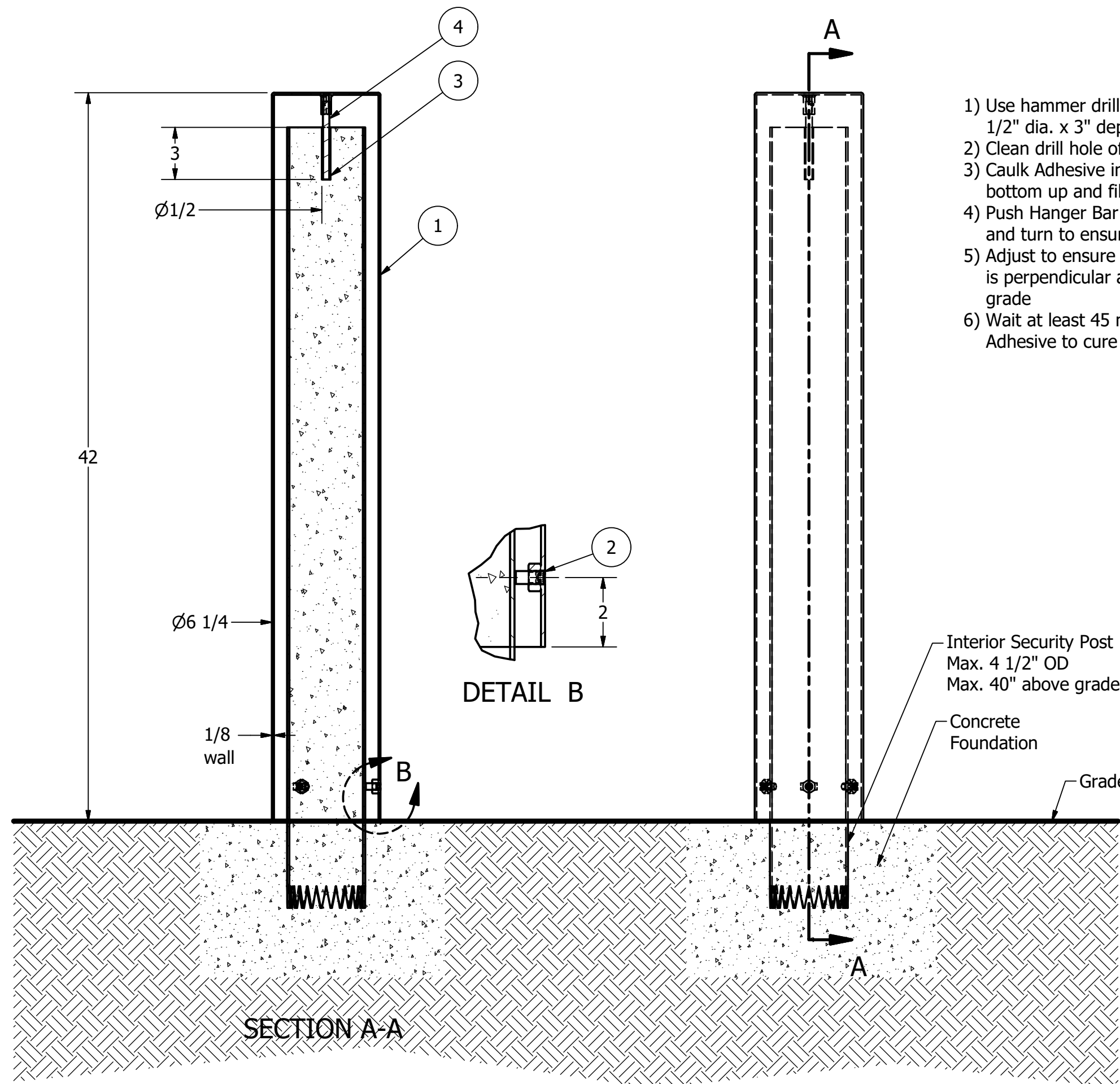
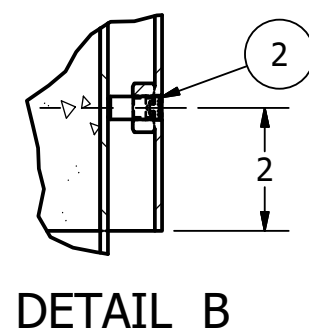
Care and Maintenance:

Despite its natural anti-corrosion properties, stainless steel may corrode if cautionary procedures are not followed, or if products are neglected for extended periods of time. High-saline environments or other areas with high exposure to chlorides may increase risk of stainless steel corrosion. Regular cleaning will maintain optimal condition and appearance.

See Reliance Foundry's maintenance guide at:
www.reliance-foundry.com/bollard/stainless-steel-maintenance



- 1) Use hammer drill to make hole 1/2" dia. x 3" depth
- 2) Clean drill hole of debris
- 3) Caulk Adhesive into hole from bottom up and fill 2/3 full
- 4) Push Hanger Bar into Adhesive and turn to ensure bonding
- 5) Adjust to ensure bollard cover is perpendicular and flush to grade
- 6) Wait at least 45 minutes for Adhesive to cure



Top Hanger Installation in Existing Concrete

Notes:

- 1) Bollard cover is provided as shown. Concrete, foundation and/or installation ordered separately or provided by others.
- 2) Minimum foundation sizes depend on local soil conditions, weather conditions, and engineering requirements.
- 3) Dimensions provided herein is for reference only. Please consult Reliance Foundry sales professionals if any dimension is critical to your particular installation.
- 4) Reliance Foundry reserves the right to amend design and specifications without prior notice for product improvement.

PARTS LIST

| ITEM | QTY | PART NUMBER | DESCRIPTION | MATERIAL | WEIGHT |
|------|-----|--------------------------------------|---|----------------------------|---------|
| 1 | 1 | R7303EX Bollard Cover | R7303EX Stainless Steel Bollard Cover | Stainless Steel 316 | 30 lbs |
| 2 | 3 | Hexagon Socket Set Screw 3/8" x 7/8" | Hexagon Socket Set Screw 3/8" x 7/8" - requires 3/16" hex key | Stainless Steel | |
| 3 | 1 | Adhesive Anchor | AC100+ Gold Adhesive Anchoring System | Vinylester Adhesive Mortar | 5/8 lbs |
| 4 | 1 | R7300 HANGER 3/8" | R7300 Top Hanger 3/8" Custom Order Length | Steel | 1/8 lbs |

COPYRIGHT RESERVED THIS PLAN DRAWING AND DESIGN ARE, AND AT ALL TIMES REMAIN, THE EXCLUSIVE PROPERTY OF RELIANCE FOUNDRY CO. LTD.

RELIANCE FOUNDRY
 SINCE 1925

Unit 207, 6450 - 148 Street, Surrey, BC V3S 7G7, Canada
 1-888-735-5680 info@reliance-foundry.com
www.reliance-foundry.com

Bollard Cover R-7303-EX

| | | |
|------------------|---------------------------|-----------------|
| SIZE C | DWG NO R7303-EX | REV C |
|------------------|---------------------------|-----------------|

NOT TO SCALE SHEET 4 OF 5

Bollard Cover R-7303-EX

General Description:

R-7303-EX Stainless Steel Bollard Covers offer the most versatile protection for posts under 4-1/2 inches in diameter. This is a taller model in comparison with the R-7303 with a height of 42 inches and features a flat top. Increase visibility and aesthetics of steel pipe security posts, while ensuring protection from wear and corrosion. 4 installation types available: Spray foam adhesive, set screws, top hanger, or J hanger. Covers are made from corrosion-resistant 316 stainless steel. Optional powder coating is available in 1 of 6 custom colors.

Specifications:

Height: 42"
 Base Diameter: 6 1/4"
 Weight: 30 lbs (Bollard Only)
 Material: Stainless Steel 316
 Max. Interior Security Post Size:
 4 1/2" x 40" (Diameter x Height)

Finish Options:

- Satin #6 Buffed
- Polyester Powdercoated (Additional service charge)

See Reliance Foundry's standard color options at:
www.reliance-foundry.com/bollard/colors-bollards

Installation Options:

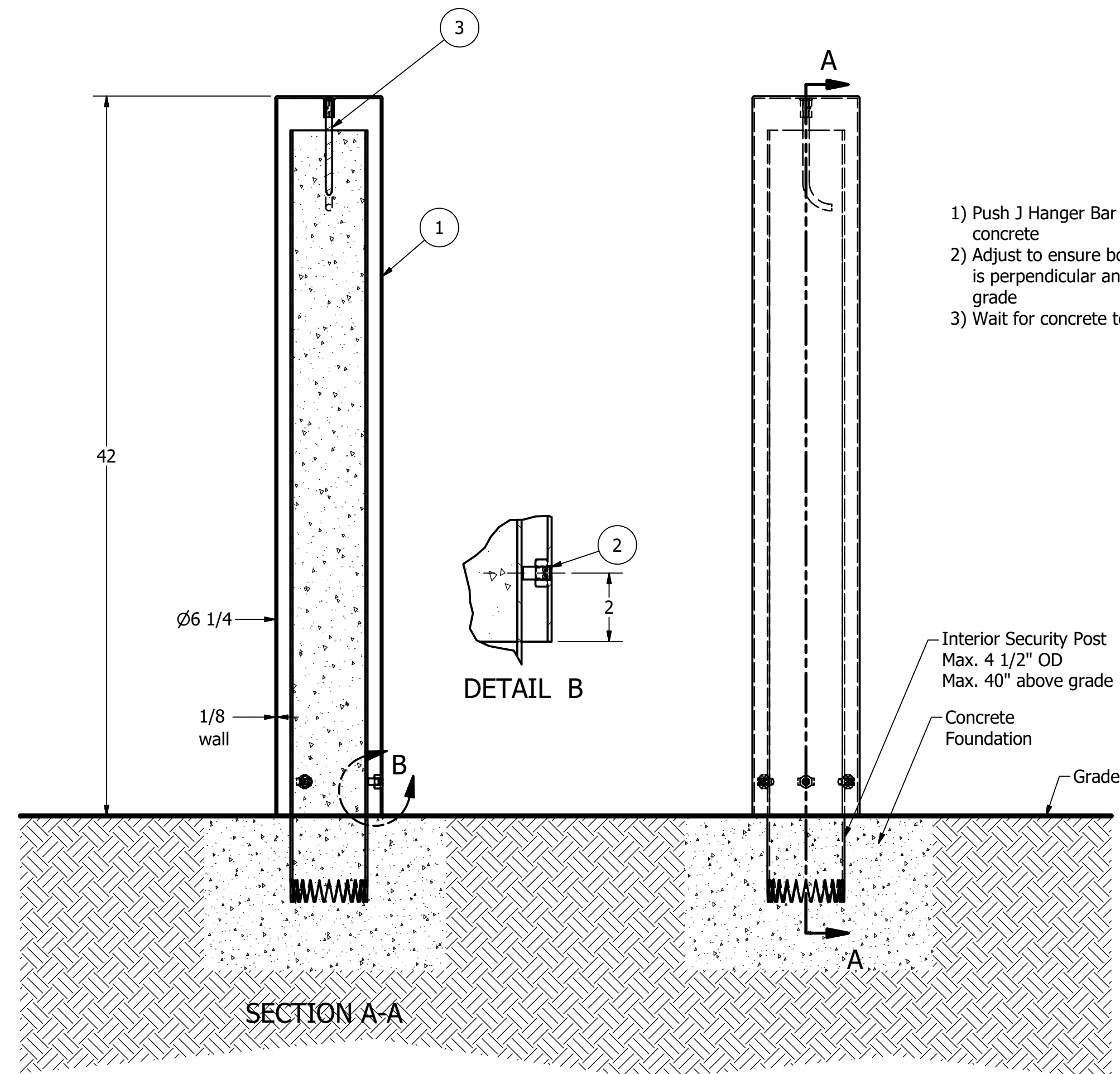
- Set Screw Installation Option (see sheet 2 of 5)
- Adhesive Foam Installation Option (see sheet 3 of 5)
- Top Hanger Installation in Existing Concrete (see sheet 4 of 5)
- J Hanger Installation in New Concrete (see sheet 5 of 5)

For more information on bollard post installation, please visit:
www.reliance-foundry.com/bollard/installation-bollards

Care and Maintenance:

Despite its natural anti-corrosion properties, stainless steel may corrode if cautionary procedures are not followed, or if products are neglected for extended periods of time. High-saline environments or other areas with high exposure to chlorides may increase risk of stainless steel corrosion. Regular cleaning will maintain optimal condition and appearance.

See Reliance Foundry's maintenance guide at:
www.reliance-foundry.com/bollard/stainless-steel-maintenance



- 1) Push J Hanger Bar into wet concrete
- 2) Adjust to ensure bollard cover is perpendicular and flush to grade
- 3) Wait for concrete to cure

J Hanger Installation in New Concrete

Notes:

- 1) Bollard cover is provided as shown. Concrete, foundation and/or installation ordered separately or provided by others.
- 2) Minimum foundation sizes depend on local soil conditions, weather conditions, and engineering requirements.
- 3) Dimensions provided herein is for reference only. Please consult Reliance Foundry sales professionals if any dimension is critical to your particular installation.
- 4) Reliance Foundry reserves the right to amend design and specifications without prior notice for product improvement.

PARTS LIST

| ITEM | QTY | PART NUMBER | DESCRIPTION | MATERIAL | WEIGHT |
|------|-----|--------------------------------------|---|---------------------|---------|
| 1 | 1 | R7303EX Bollard Cover | R7303EX Stainless Steel Bollard Cover | Stainless Steel 316 | 30 lbs |
| 2 | 3 | Hexagon Socket Set Screw 3/8" x 7/8" | Hexagon Socket Set Screw 3/8" x 7/8" - requires 3/16" hex key | Stainless Steel | |
| 3 | 1 | R7300 J HANGER 3/8" | R7300 Top J Hanger 3/8" Custom Order Length | Steel | 1/4 lbs |

COPYRIGHT RESERVED THIS PLAN DRAWING AND DESIGN ARE, AND AT ALL TIMES REMAIN, THE EXCLUSIVE PROPERTY OF RELIANCE FOUNDRY CO. LTD.

RELIANCE FOUNDRY
 SINCE 1925

Unit 207, 6450 - 148 Street, Surrey, BC V3S 7G7, Canada
 1-888-735-5680 info@reliance-foundry.com
www.reliance-foundry.com

Bollard Cover R-7303-EX

| | | |
|------------------|---------------------------|-----------------|
| SIZE C | DWG NO R7303-EX | REV C |
|------------------|---------------------------|-----------------|

NOT TO SCALE SHEET 5 OF 5