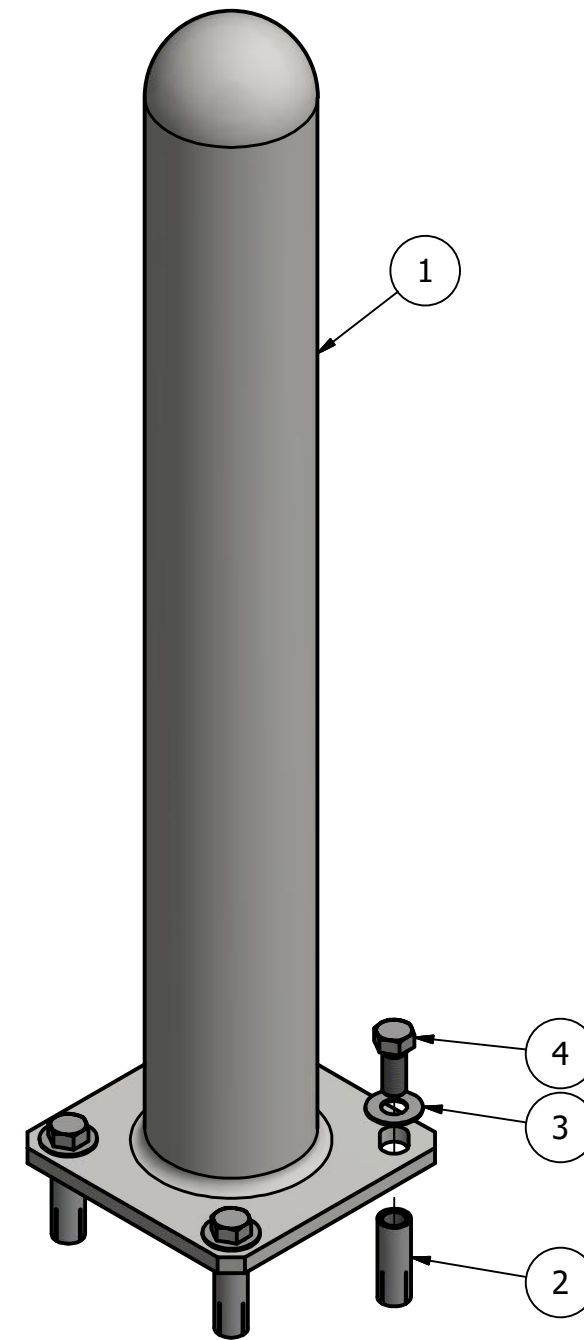
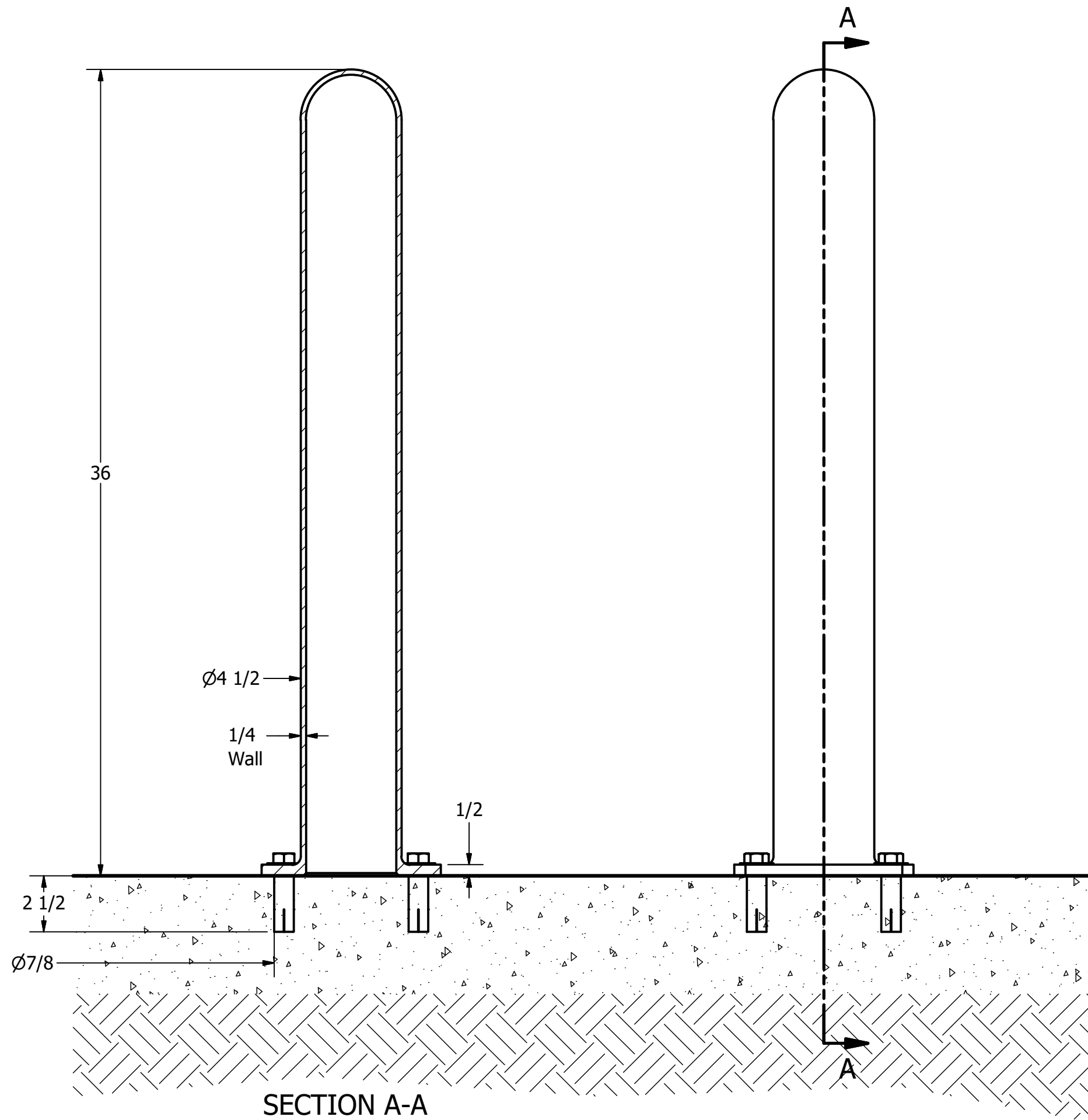
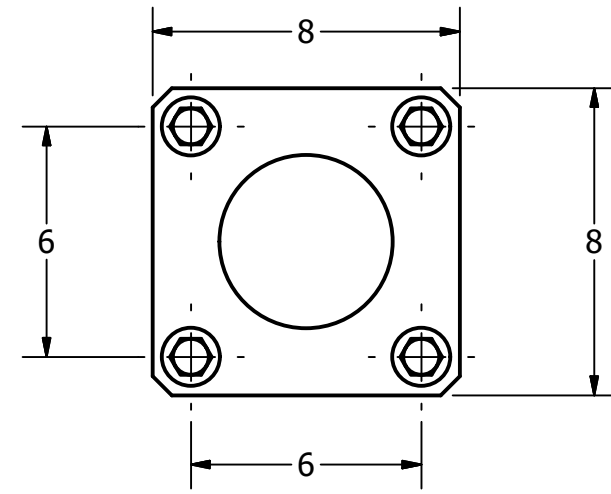


# Bollard R-7236



- Tools needed:
- 1) Measuring tape
  - 2) 15/16" wrench
  - 3) Hammer drill
  - 4) 7/8" Masonry drill bit
  - 5) Hammer
  - 6) Drop-in concrete insert setting tool

## General Description:

The R-7236 Bolt Down Bollard is easy to install and relocate-both indoors and out. Made from powder-coated steel, it features a wide surface flange for effective stability. Pre-drill holes in existing concrete and bolt flange into secured drop-in anchors. Select from 6 color options.

## Specifications:

Height: 36"  
 Diameter: 4 1/2"  
 Weight: 40 lbs  
 Material: Steel ( ASTM A36 )

## Finish Options:

- ☉ Polyester Powdercoated

See Reliance Foundry's standard color options at:  
[www.reliance-foundry.com/bollard/colors-bollards](http://www.reliance-foundry.com/bollard/colors-bollards)

**RELIANCE FOUNDRY**  
SINCE 1925

Unit 207, 6450 - 148 Street, Surrey, BC V3S 7G7, Canada  
 1-888-735-5680 info@reliance-foundry.com  
[www.reliance-foundry.com](http://www.reliance-foundry.com)

TITLE

**Bollard R-7236**

SIZE  
**C**

DWG NO  
**R7236**

REV  
**C2**

PARTS LIST					
ITEM	QTY	PART NUMBER	DESCRIPTION	MATERIAL	WEIGHT
1	1	R-7236	R7236 Bollard	Steel Powder Coated	40 lbs
2	4	Drop-in Concrete Insert 5/8"	Drop-in Concrete Insert 5/8" - requires 7/8" x 2 1/2" hole (dia. x depth)	Steel Plated	1/4 lbs
3	4	Stainless Steel Washer 5/8"	Stainless Steel Washer 5/8" OD 1 1/2" Thick .06"	Stainless Steel	
4	4	Hex Bolt 5/8" x 1 1/2"	Hex Bolt 5/8" x 1 1/2" - requires 15/16" wrench	Stainless Steel	1/4 lbs

COPYRIGHT RESERVED THIS PLAN DRAWING AND DESIGN ARE, AND AT ALL TIMES REMAIN, THE EXCLUSIVE PROPERTY OF RELIANCE FOUNDRY CO. LTD.

NOT TO SCALE

SHEET 1 OF 1