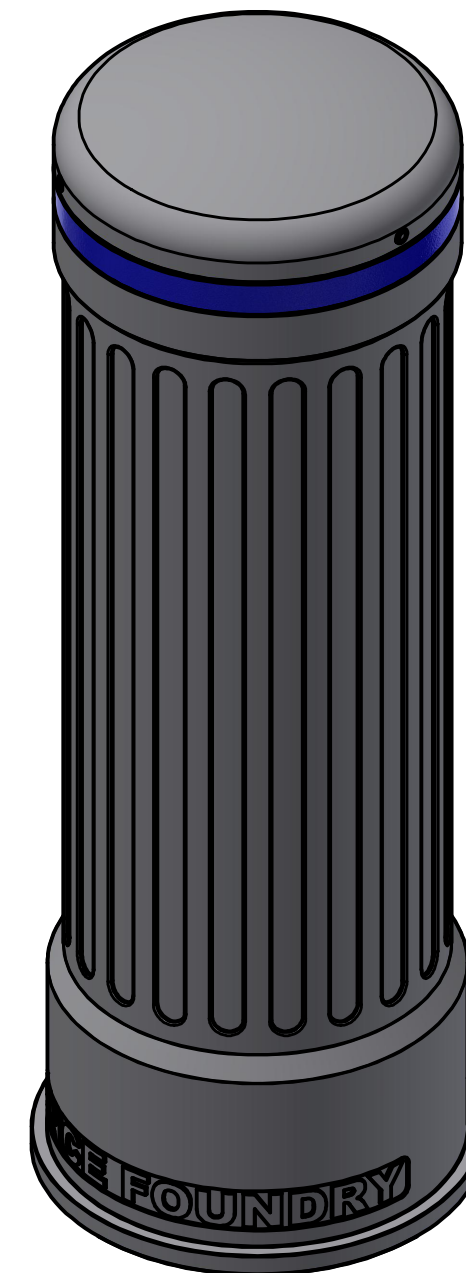
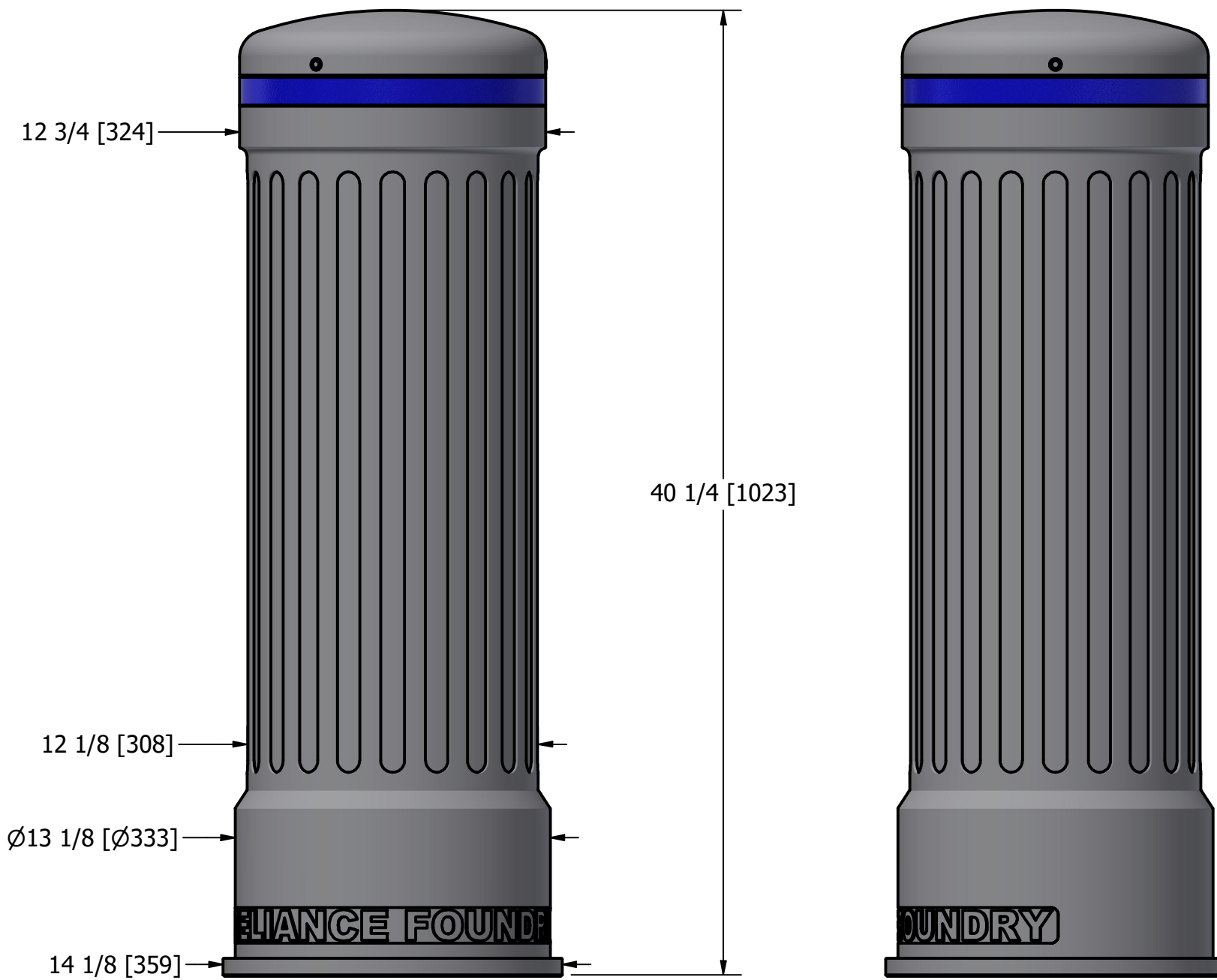
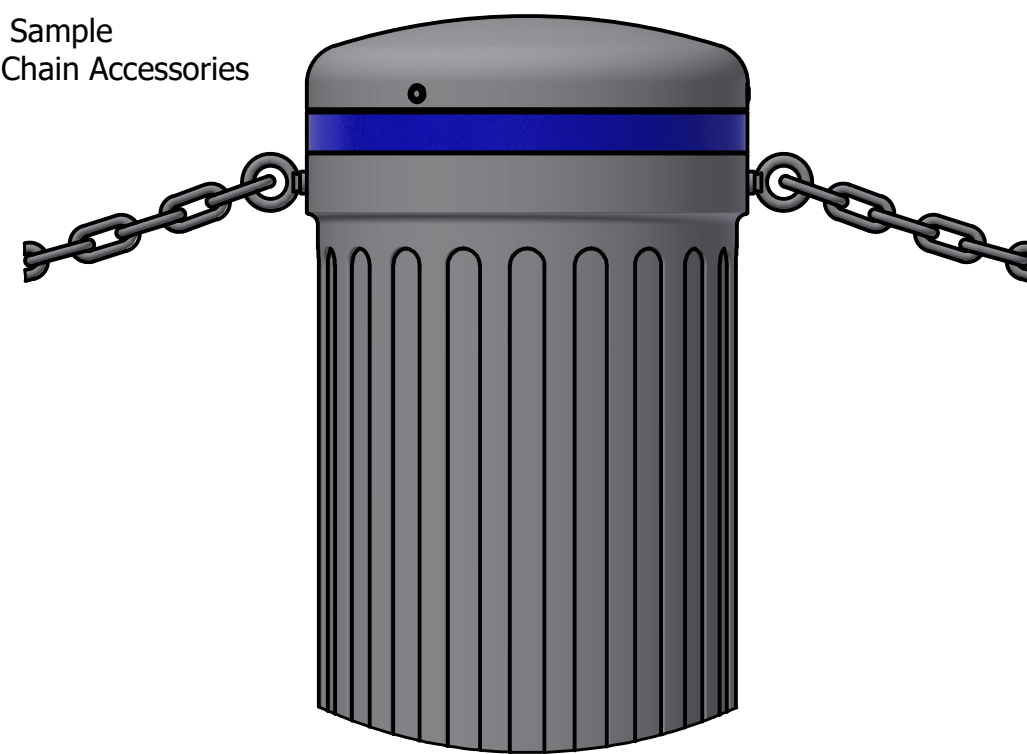


# Bollard R-6501



Installation Sample with 5/16" Chain Accessories



Bollard Chain Eye 3/8" (Powder Coated)



Quick Link Connector 5/16" (Powder Coated)



Bollard Chain 5/16" (Powder Coated)

### Optional Accessories:

- Chain Eye
- Quick link
- Chain (5/16")

See Reliance Foundry's optional accessories at: [www.reliance-foundry.com/bollard/accessories-bollards](http://www.reliance-foundry.com/bollard/accessories-bollards)

### General Description:

The Crescent Ward Lighted Bollard, part of our Heritage collection, features a sophisticated column design with vertical fluting and a rounded top, crafted from durable ductile iron for enhanced impact resistance. It supports crash-rated bollards and pipe reinforcements up to 10 3/4" in diameter and 36" high. Equipped with an LED light ring offering seven color options, this AC-powered bollard is finished with a long-lasting powder coating. Available in six colors, it serves as both a standalone lighting fixture and a decorative cover, blending aesthetics with functionality.

### Specifications:

Height: 40 1/4" [1023]  
 Base Diameter: 14 1/8" [359]  
 Weight: 187 lbs [85 kg] (Bollard Only)  
 Material: Ductile Iron  
 Max. Interior Security Post Size: 10 3/4" x 36" [914 x 273] (Diameter x Height)

### Finish Options:

- Polyester Powdercoated

See Reliance Foundry's standard color options at: [www.reliance-foundry.com/bollard/colors-bollards](http://www.reliance-foundry.com/bollard/colors-bollards)

### Light Color Options:

- Warm White (3000K)
- Red
- Green
- Blue
- Yellow
- Cyan
- Violet

### Installation Option:

- Fixed - Anchor Casting in New Concrete (see sheet 2 of 3)
- Post Cover - New Post in New Concrete (see sheet 3 of 3)

For more information on bollard post installation, please visit: [www.reliance-foundry.com/bollard/installation-bollards](http://www.reliance-foundry.com/bollard/installation-bollards)

### Care and Maintenance:

Reliance's line of bollards are finished with a long-lasting powder-coating. Proper care and maintenance are required. Regularly-performed inspections and routine cleaning will ensure that a bollard retains its aesthetic appeal and does not become damaged by the elements.

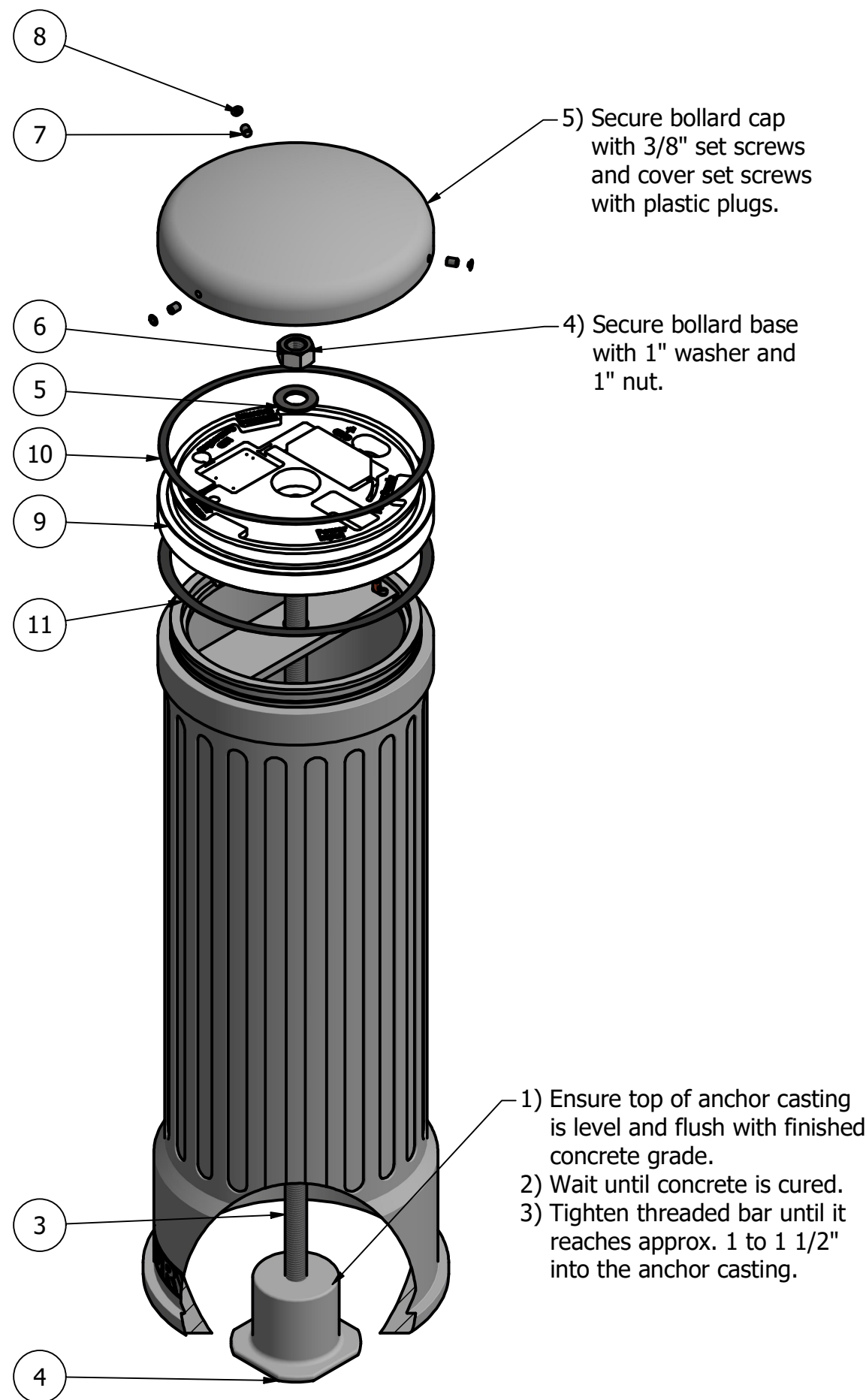
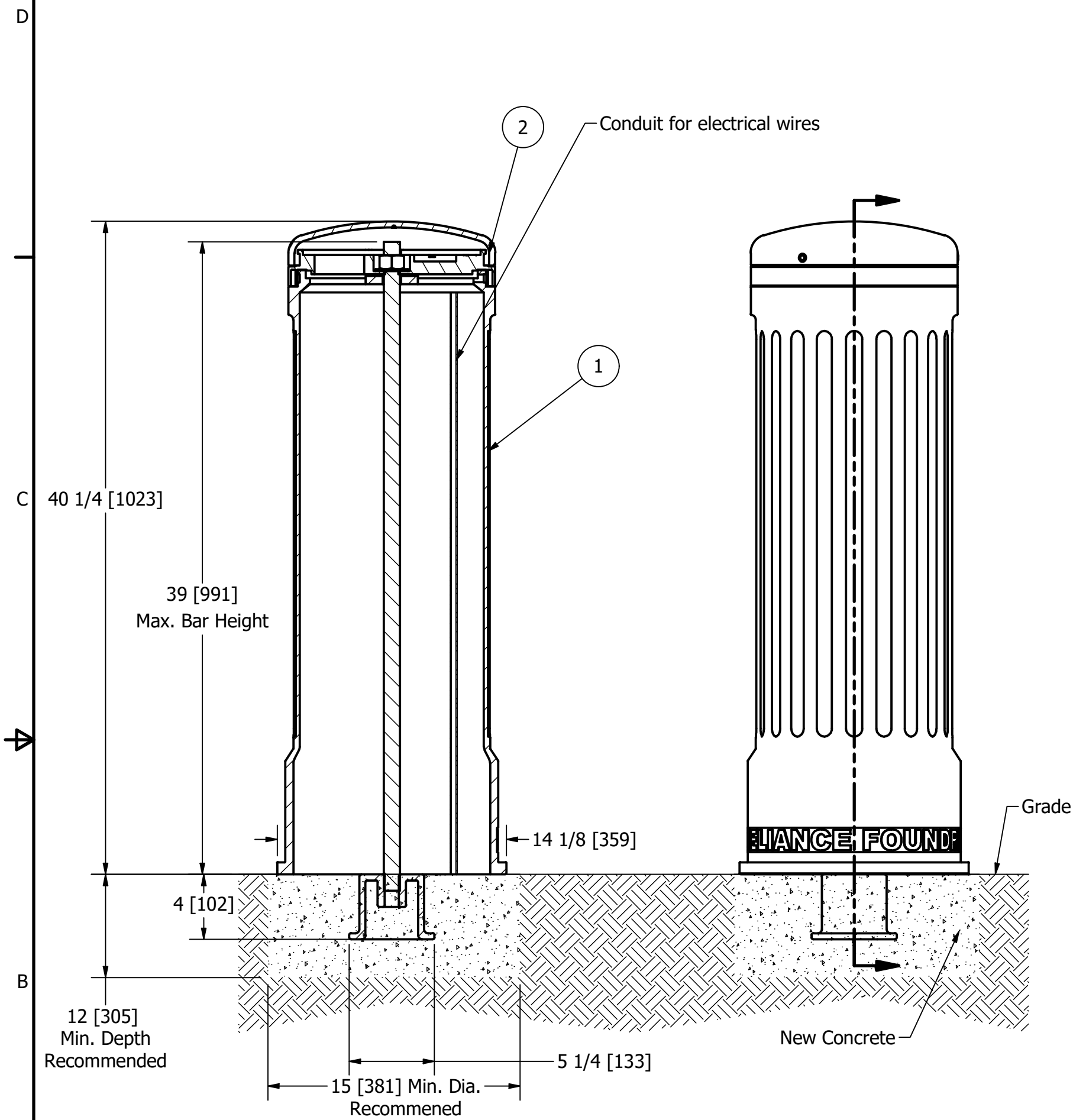
See Reliance Foundry's maintenance guide at: [www.reliance-foundry.com/bollard/maintenance-bollards](http://www.reliance-foundry.com/bollard/maintenance-bollards)

**RELIANCE FOUNDRY**  
SINCE 1925

Unit 207, 6450 - 148 Street, Surrey, BC V3S 7G7, Canada  
 1-877-789-3245 info@reliance-foundry.com  
[www.reliance-foundry.com](http://www.reliance-foundry.com)

TITLE		
<b>Bollard R-6501</b>		
SIZE C	DWG NO R6501_public	REV A01
NOT TO SCALE		UNLESS OTHERWISE SPECIFIED: DIMS ARE IN INCHES (MILLIMETERS)
SHEET 1 OF 3		

# Bollard R-6501



- Tools needed:
- 1) Measuring tape
  - 2) 1 1/2" socket wrench
  - 3) 3/16" hex key
  - 4) Screw driver for electrical connections

## General Description:

The Crescent Ward Lighted Bollard, part of our Heritage collection, features a sophisticated column design with vertical fluting and a rounded top, crafted from durable ductile iron for enhanced impact resistance. It supports crash-rated bollards and pipe reinforcements up to 10 3/4" in diameter and 36" high. Equipped with an LED light ring offering seven color options, this AC-powered bollard is finished with a long-lasting powder coating. Available in six colors, it serves as both a standalone lighting fixture and a decorative cover, blending aesthetics with functionality.

## Specifications:

Height: 40 1/4" [1023]  
 Base Diameter: 14 1/8" [359]  
 Weight: 187 lbs [85 kg] (Bollard Only)  
 Material: Ductile Iron  
 Max. Interior Security Post Size:  
 10 3/4" x 36" [914 x 273] (Diameter x Height)

## Finish Options:

- Polyester Powdercoated

See Reliance Foundry's standard color options at:  
[www.reliance-foundry.com/bollard/colors-bollards](http://www.reliance-foundry.com/bollard/colors-bollards)

## Light Color Options:

- Warm White (3000K)
- Red
- Green
- Blue
- Yellow
- Cyan
- Violet

## Installation Option:

- ⊗ Fixed - Anchor Casting in New Concrete (see sheet 2 of 3)
- Post Cover - New Post in New Concrete (see sheet 3 of 3)

For more information on bollard post installation, please visit:  
[www.reliance-foundry.com/bollard/installation-bollards](http://www.reliance-foundry.com/bollard/installation-bollards)

## Care and Maintenance:

Reliance's line of bollards are finished with a long-lasting powder-coating. Proper care and maintenance are required. Regularly-performed inspections and routine cleaning will ensure that a bollard retains its aesthetic appeal and does not become damaged by the elements.

See Reliance Foundry's maintenance guide at:  
[www.reliance-foundry.com/bollard/maintenance-bollards](http://www.reliance-foundry.com/bollard/maintenance-bollards)

- Notes:
- 1) Bollard post is provided as shown. Concrete, foundation and/or installation ordered separately or provided by others.
  - 2) Minimum foundation sizes depend on local soil conditions, weather conditions, and engineering requirements.
  - 3) Dimensions provided herein is for reference only. Please consult Reliance Foundry sales professionals if any dimension is critical to your particular installation.
  - 4) Reliance Foundry reserves the right to amend design and specifications without prior notice for product improvement.
  - 5) For the electrical conduit, consult an electrician for proper connection.

PARTS LIST					
ITEM	QTY	PART NUMBER	DESCRIPTION	MATERIAL	WEIGHT (lbs)
1	1	R7535B	R7535 Base	Ductile Iron Powder Coated	168
2	1	R7535C	R7535 Cap	Ductile Iron Powder Coated	19
3	1	R7500AN 1"	R7500 Anchor Casting 1"	Ductile Iron Hot Dip Galvanized	8.4
4	1	R7500BAR 1"	R7500 Threaded Bar 1" x 43"	Steel Plated	7.8
5	1	Washer 1" OD 2"	Washer 1" OD 2" Thick 1/8"	Steel Plated	0.1
6	1	Hex Nut 1"	Hex Nut 1" - requires 1 1/2" socket wrench	Steel Plated	0.3
7	3	Hexagon Socket Set Screws 3/8" x 1/2"	Hexagon Socket Set Screw 3/8" x 1/2" - requires 3/16" Hex Key	Stainless Steel	-
8	3	Polyethylene Plug 3/8"	Polyethylene Plug 3/8"	LDPE Black	-
9	1	LENS_Assembly	UHMW Polyethylene Lens	UHMW Polyethylene White	6.2
10	1	R7535_lit_top_gasket	Top Gasket	Rubber	-
11	1	R7535_lit_bottom_gasket	Bottom Gasket	Rubber	-

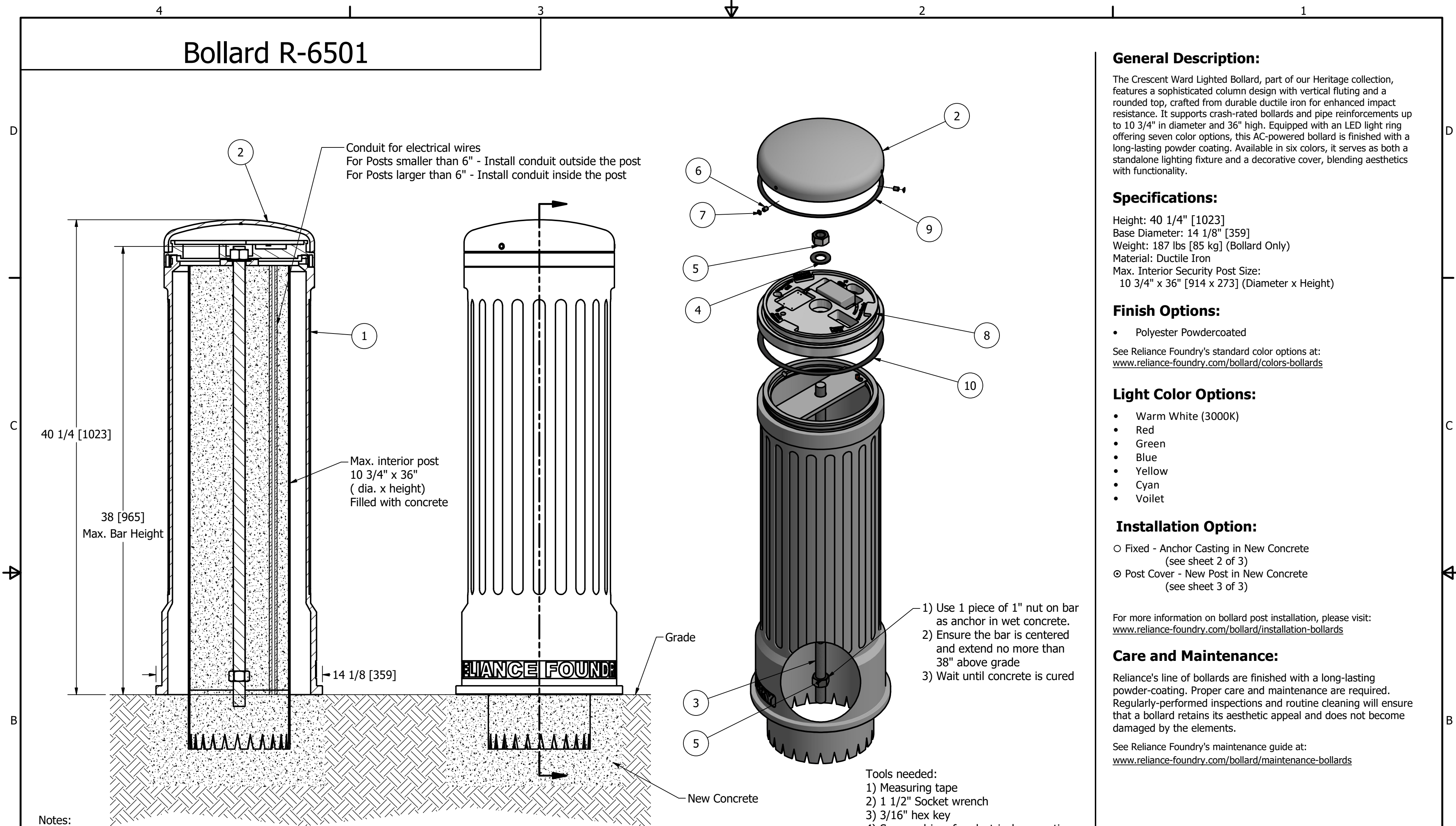
**RELIANCE FOUNDRY**  
 SINCE 1925

Unit 207, 6450 - 148 Street, Surrey, BC V3S 7G7, Canada  
 1-877-789-3245 info@reliance-foundry.com  
[www.reliance-foundry.com](http://www.reliance-foundry.com)

## Bollard R-6501

SIZE C DWG NO R6501\_public REV A01

# Bollard R-6501



- Notes:
- 1) Bollard post is provided as shown. Concrete, foundation and/or installation ordered separately or provided by others.
  - 2) Minimum foundation sizes depend on local soil conditions, weather conditions, and engineering requirements.
  - 3) Dimensions provided herein is for reference only. Please consult Reliance Foundry sales professionals if any dimension is critical to your particular installation.
  - 4) Reliance Foundry reserves the right to amend design and specifications without prior notice for product improvement.
  - 5) For the electrical conduit, consult an electrician for proper connection.

## General Description:

The Crescent Ward Lighted Bollard, part of our Heritage collection, features a sophisticated column design with vertical fluting and a rounded top, crafted from durable ductile iron for enhanced impact resistance. It supports crash-rated bollards and pipe reinforcements up to 10 3/4" in diameter and 36" high. Equipped with an LED light ring offering seven color options, this AC-powered bollard is finished with a long-lasting powder coating. Available in six colors, it serves as both a standalone lighting fixture and a decorative cover, blending aesthetics with functionality.

## Specifications:

Height: 40 1/4" [1023]  
Base Diameter: 14 1/8" [359]  
Weight: 187 lbs [85 kg] (Bollard Only)  
Material: Ductile Iron  
Max. Interior Security Post Size:  
10 3/4" x 36" [914 x 273] (Diameter x Height)

## Finish Options:

- Polyester Powdercoated

See Reliance Foundry's standard color options at:  
[www.reliance-foundry.com/bollard/colors-bollards](http://www.reliance-foundry.com/bollard/colors-bollards)

## Light Color Options:

- Warm White (3000K)
- Red
- Green
- Blue
- Yellow
- Cyan
- Violet

## Installation Option:

- Fixed - Anchor Casting in New Concrete (see sheet 2 of 3)
- ⊙ Post Cover - New Post in New Concrete (see sheet 3 of 3)

For more information on bollard post installation, please visit:  
[www.reliance-foundry.com/bollard/installation-bollards](http://www.reliance-foundry.com/bollard/installation-bollards)

## Care and Maintenance:

Reliance's line of bollards are finished with a long-lasting powder-coating. Proper care and maintenance are required. Regularly-performed inspections and routine cleaning will ensure that a bollard retains its aesthetic appeal and does not become damaged by the elements.

See Reliance Foundry's maintenance guide at:  
[www.reliance-foundry.com/bollard/maintenance-bollards](http://www.reliance-foundry.com/bollard/maintenance-bollards)

## PARTS LIST

ITEM	QTY	PART NUMBER	DESCRIPTION	MATERIAL	WEIGHT (lbs)
1	1	R7535B	R7535 Base	Ductile Iron Powder Coated	168
2	1	R7535C	R7535 Cap	Ductile Iron Powder Coated	19
3	1	Drop-in Concrete Insert 3/4"	Drop-In Concrete Insert 3/4" - Requires 1" x 3 1/8" hole (dia. x depth)	Steel Plated	0.5
4	1	R7500BAR 3/4"	R7500 Threaded Bar 3/4" x 42"	Steel Plated	4.1
5	1	Washer 1" OD 2"	Washer 3/4" OD 2" Thick 1/8"	Steel Plated	0.1
6	2	Hex Nut 1"	Hex Nut 1" - requires 1 1/2" wrench	Steel Plated	0.3
7	3	Hexagon Socket Set Screws 3/8" x 1/2"	Hexagon Socket Set Screw 3/8" x 1/2" - requires 3/16" Hex Key	Stainless Steel	-
8	3	Polyethylene Plug 3/8"	Polyethylene Plug 3/8"	LDPE Black	-
9	1	LENS_Assembly	UHMW Polyethylene Lens	UHMW Polyethylene White	6.2
10	1	R7535_lit_top_gasket	Top Gasket	Rubber	-
11	1	R7535_lit_bottom_gasket	Bottom Gasket	Rubber	-

**RELIANCE FOUNDRY**  
SINCE 1925

Unit 207, 6450 - 148 Street, Surrey, BC V3S 7G7, Canada  
1-877-789-3245 info@reliance-foundry.com  
[www.reliance-foundry.com](http://www.reliance-foundry.com)

## Bollard R-6501

SIZE C DWG NO R6501\_public REV A01