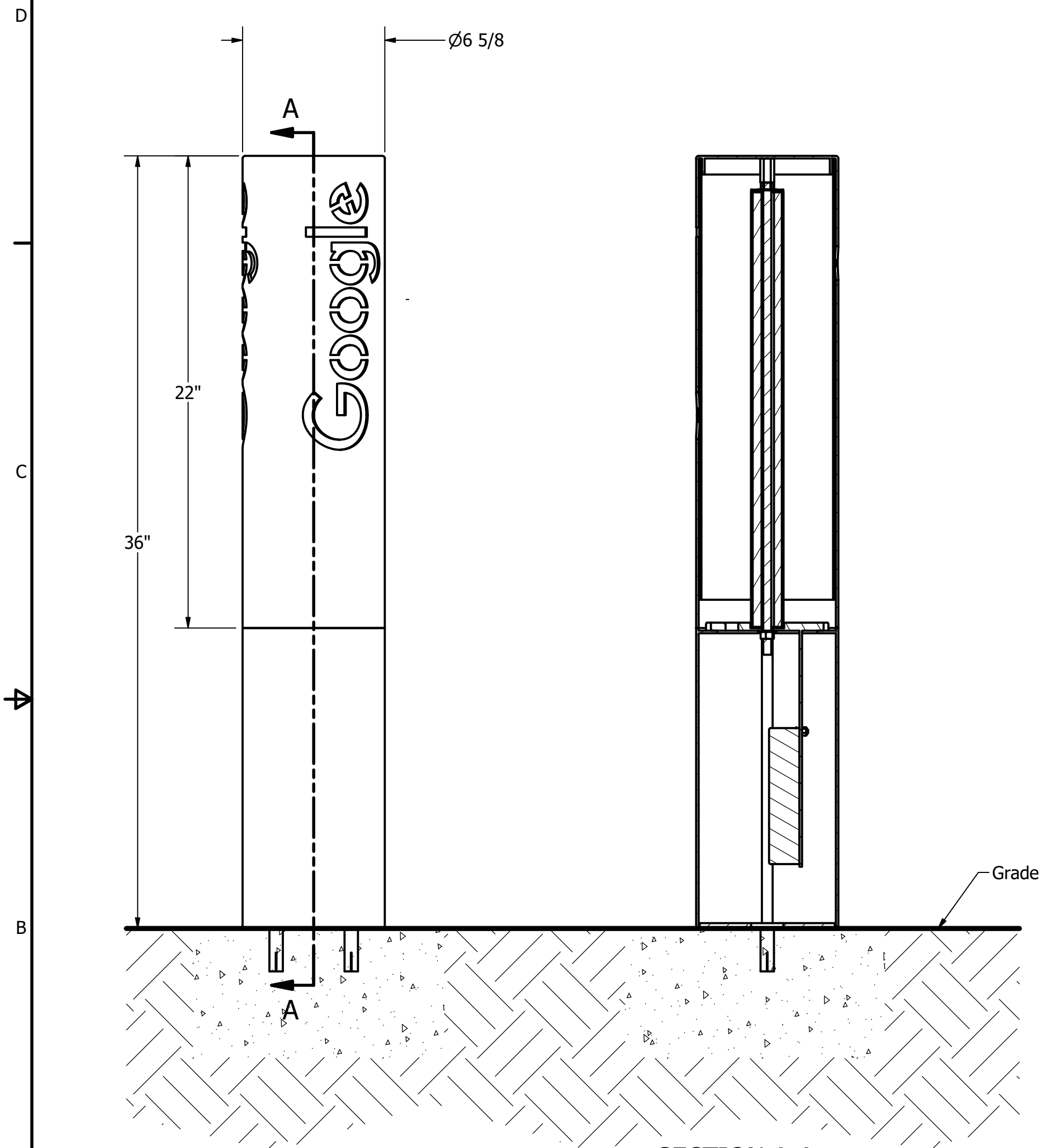
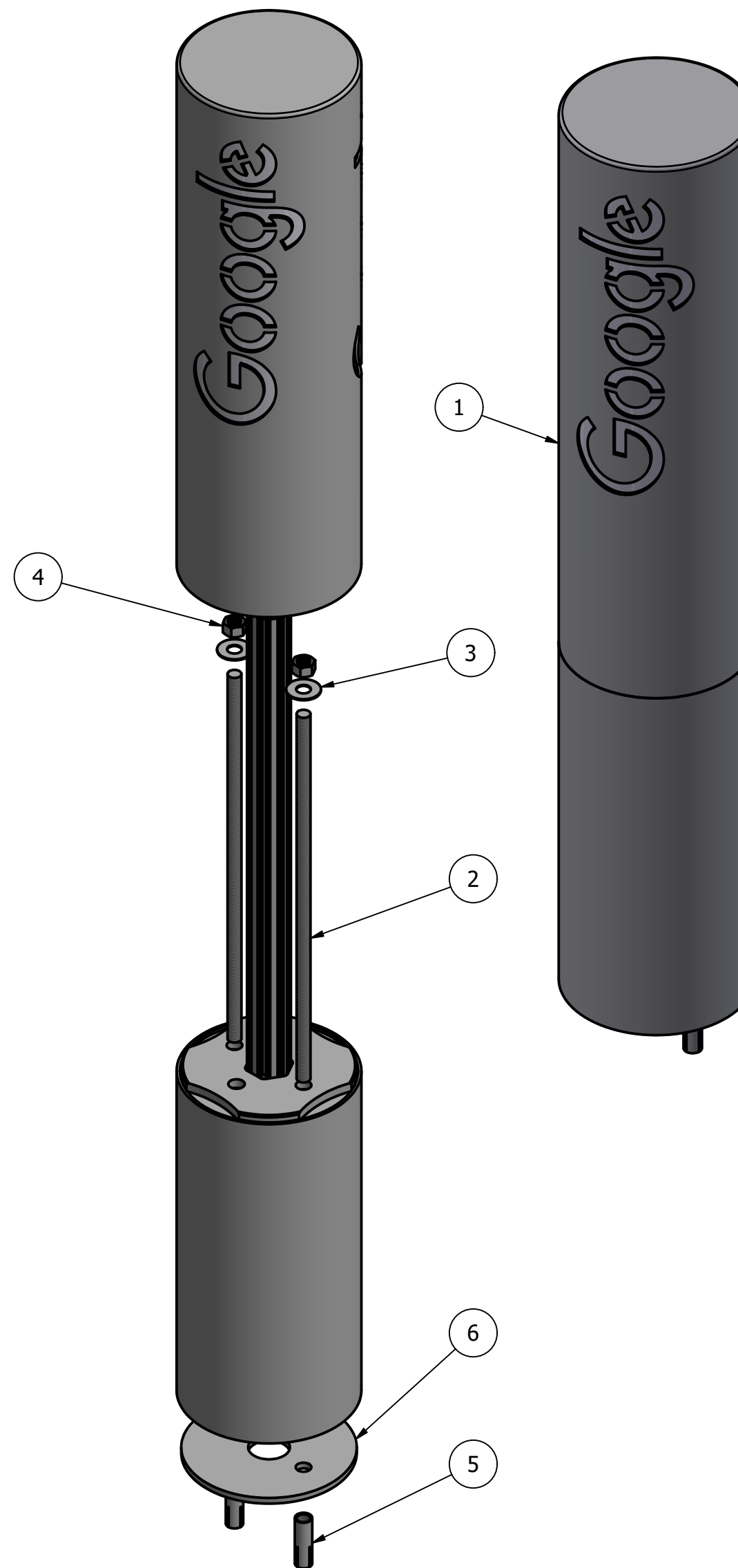


# R-6330 Custom Bollard



SECTION A-A



## General Description:

The R-6330 Custom Light Bollard is crafted from high-grade 316 stainless steel, and houses 4000 K AC-powered LEDs. The bollard body can feature custom cut-out designs (logos, patterns, or other motifs) to match your brand's aesthetic. Easy to install via bolt-down concrete inserts in existing concrete.

For more information on bollard post installation, please visit: [www.reliance-foundry.com/bollard/installation-bollards](http://www.reliance-foundry.com/bollard/installation-bollards)

## Specifications:

Total Height: 36"

Diameter: 6 5/8"

Weight: Approximately 32 lbs depending on design

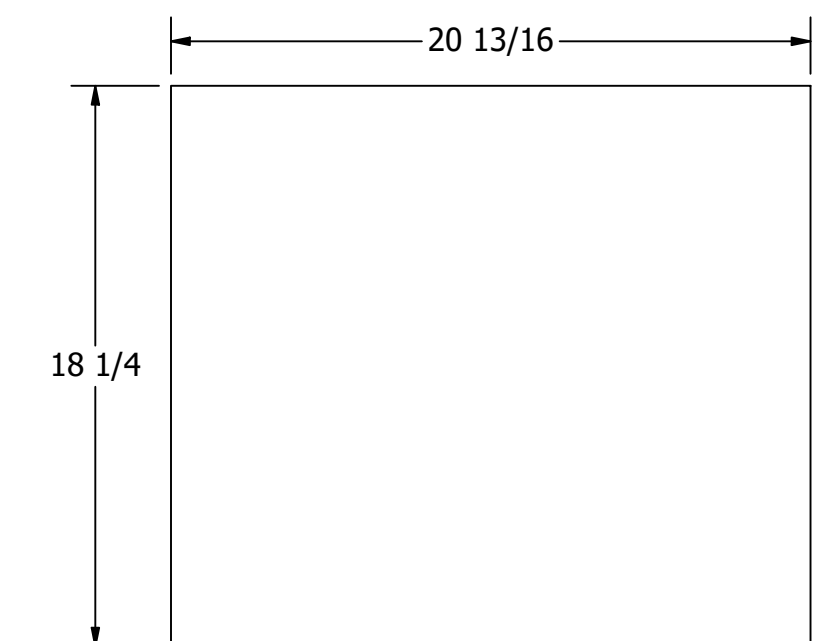
Material: Stainless Steel 316

## Finish Options:

- Satin No.6

## Guidelines:

- Custom logo(s) or patterns should fit area 20 13/16" wide by 18 1/4" long.
- Changes to the custom pattern may be necessary to make cut out work; please contact Reliance Foundry for details.



## Notes:

- Embedment details are for reference illustration only. Minimum foundation sizes depend on local soil conditions, weather conditions and engineering requirements.
- Bollard is provided as shown with parts listed below. Concrete foundation and/or installation not provided by Reliance Foundry.
- This drawing is not drawn to scale. Dimensions provided herein are for reference only. Please consult Reliance Foundry sales professionals if any dimension is critical to your particular installation.
- Reliance Foundry reserves the right to amend design and specifications without prior notice for product improvement.

PARTS LIST					
ITEM	QTY	PART NUMBER	DESCRIPTION	MATERIAL	
1	1	R6330-Google Bollard Body	Bollard Body	Stainless Steel 316	
2	2	Threaded Rod 1/2"	Threaded Rod 1/2" x 16" Long	Stainless Steel	
3	2	Stainless Steel Washer 1/2"	Stainless Steel Washer 1/2" OD 1 1/4" Thick .05"	Stainless Steel	
4	2	Hex Nut 1/2"	Hexagonal Nut 1/2"	Stainless Steel	
5	2	Drop-in Concrete Insert 1/2"	Drop-in Concrete Insert 1/2" - requires 5/8" x 2" hole (dia. x depth)	Stainless Steel	
6	1	Guide Plate	Guide Plate	Aluminum or Galvanized Steel	

**RELIANCE FOUNDRY**  
— SINCE 1925 —

Unit 207, 6450 - 148 Street, Surrey, BC V3S 7G7, Canada  
1-877-789-3245 info@reliance-foundry.com  
[www.reliance-foundry.com](http://www.reliance-foundry.com)

## R-6330 Custom Bollard

SIZE	DWG NO	REV
C	R-6330-CustomLogo_public	A05