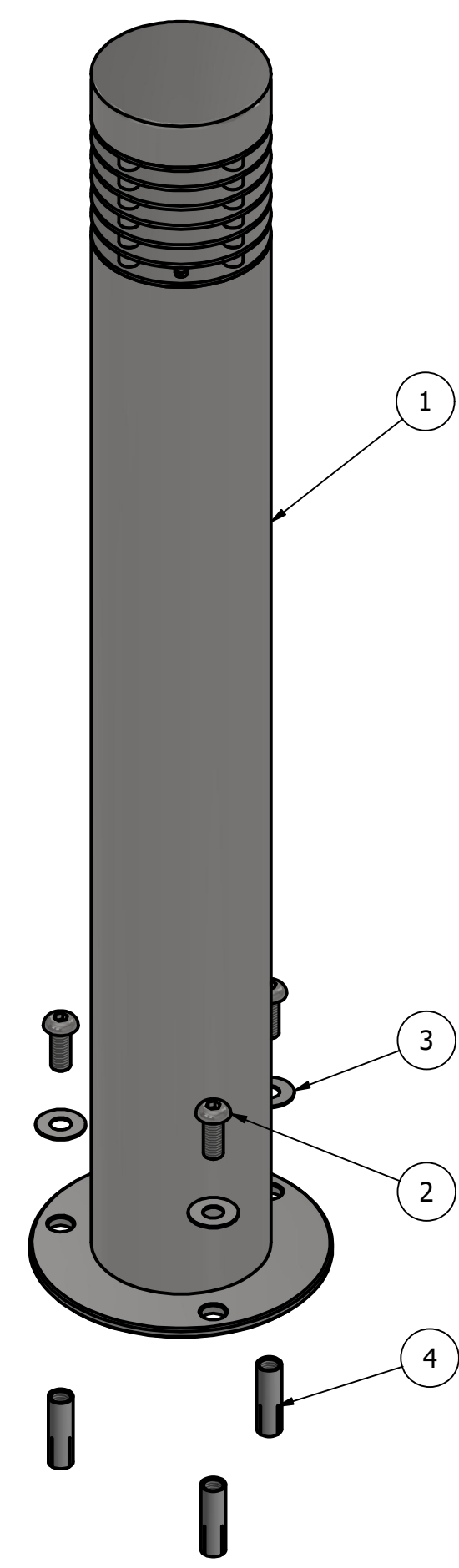
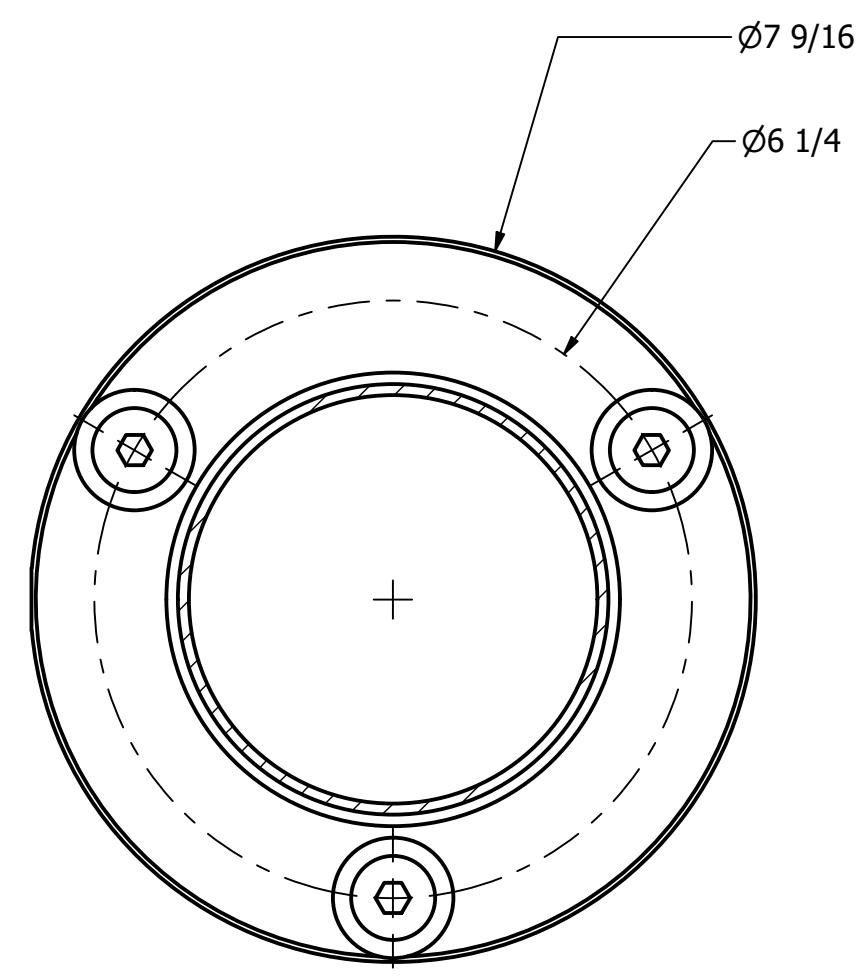
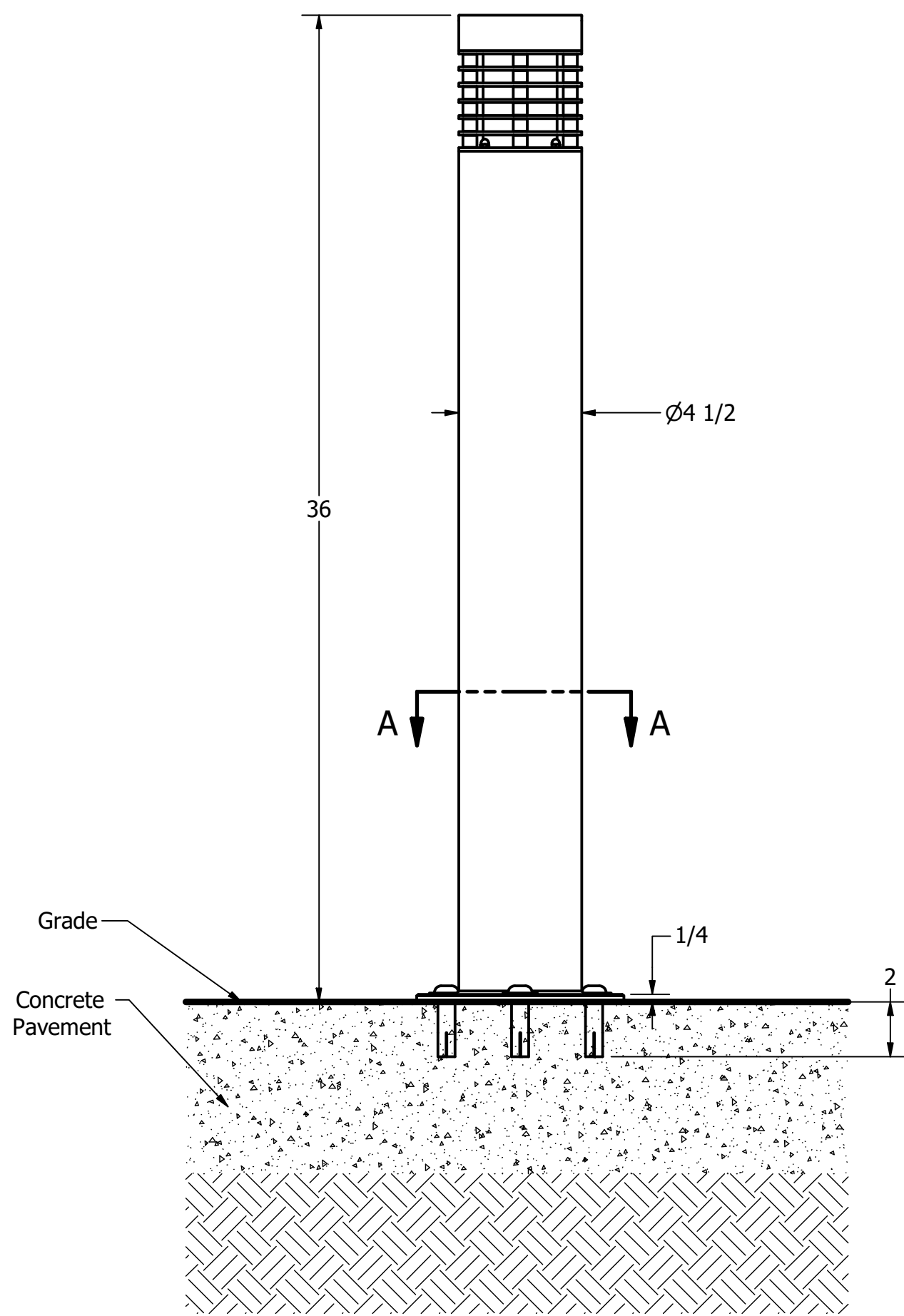


# Elysium Bollard, Model R-6321



## General Description:

The R-6321 Elysium Light Bollard provides a stylish solution to illuminate outdoor spaces. Featuring a 4000 K neutral white LED light and 316 stainless steel construction, this bollard provides excellent visibility at night, making it easier to navigate commercial spaces.

For more information on bollard post installation, please visit: [www.reliance-foundry.com/bollard/installation-bollards](http://www.reliance-foundry.com/bollard/installation-bollards)

## Specifications:

- Height: 36"
- Diameter: 4 1/2"
- Weight: 22 lbs
- Material: Stainless Steel 316

## Finish:

- ☉ Satin Surface Finish Buffed No. 6

## Mount:

- ✓ Flanged Surface Mount

## Flanged / Surface Mount

### Notes:

- Embedment details are for reference illustration only. Minimum foundation sizes depend on local soil conditions, weather conditions, and engineering requirements.
- Bollard post is provided as shown, with material detailed in legend below. Concrete, foundation and/or installation ordered separately or provided by others.
- This drawing is not drawn to scale. Dimensions provided herein is for reference only. Please consult Reliance Foundry sales professionals if any dimension is critical to your particular installation.
- Reliance Foundry reserves the right to amend design and specifications without prior notice for product improvement.

PARTS LIST				
ITEM	QTY	PART NUMBER	DESCRIPTION	MATERIAL
1	1	R-6321_Bollard	Elysium Bollard Assembly	Stainless Steel 316
2	3	Button Head Bolt 1/2" x 1 1/4"	Hexagon Socket Button Head Cap Bolt 1/2" x 1 1/4" - requires 5/16" hex key	Stainless Steel
3	3	Stainless Steel Washer 1/2"	Stainless Steel Washer 1/2" OD 1 1/4" Thick .05"	Stainless Steel
4	3	Drop-in Concrete Insert 1/2"	Drop-in Concrete Insert 1/2" - requires 5/8" x 2" hole (dia. x depth)	Steel Plated



Unit 207, 6450 - 148 Street, Surrey, BC V3S 7G7, Canada  
 1-877-789-3245 info@reliance-foundry.com  
[www.reliance-foundry.com](http://www.reliance-foundry.com)

TITLE  
**Elysium Bollard, Model R-6321**

SIZE <b>C</b>	DWG NO <b>R-6321_public</b>	REV <b>A04</b>
------------------	--------------------------------	-------------------