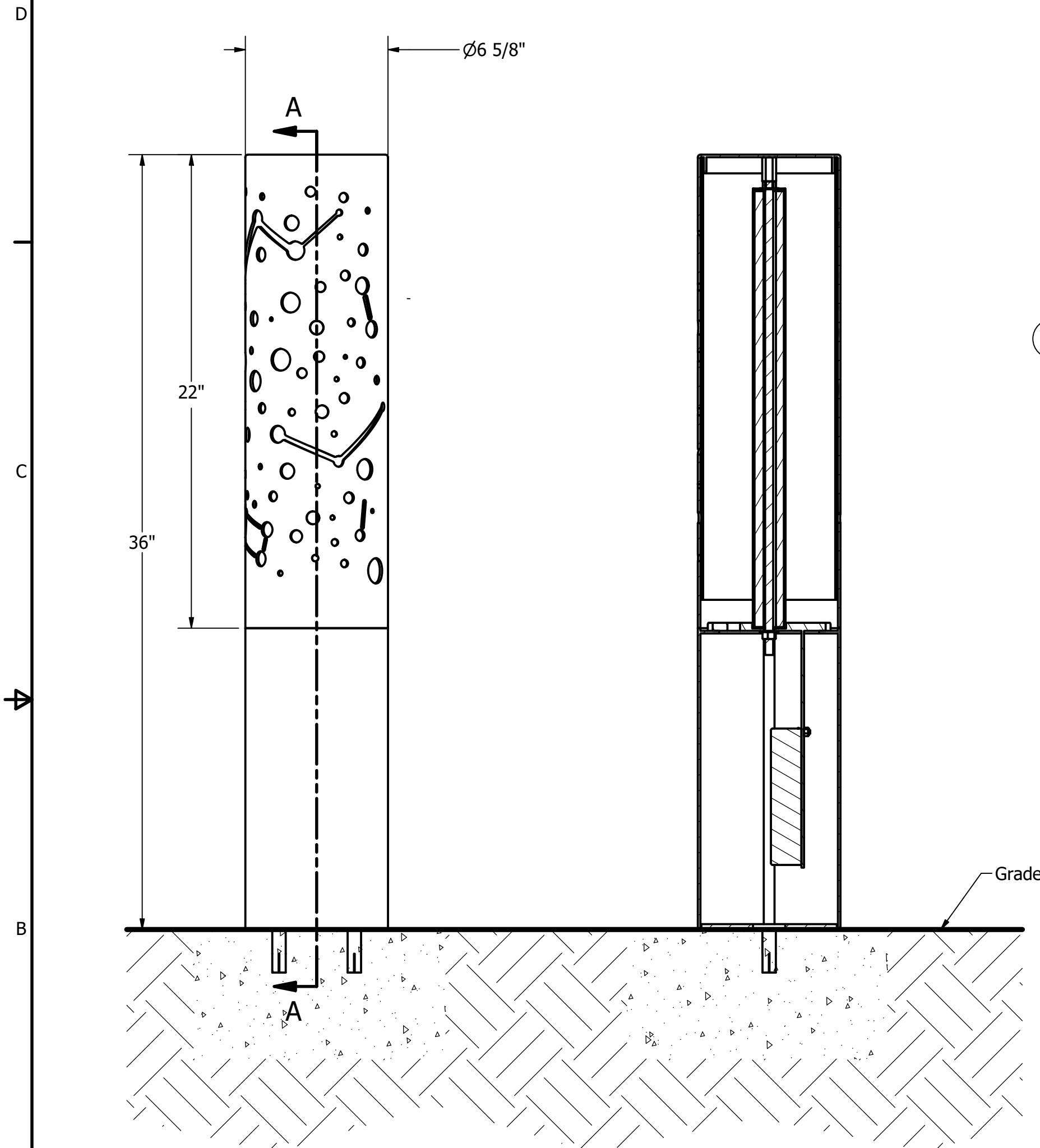


R-6304 Constellation Bollard

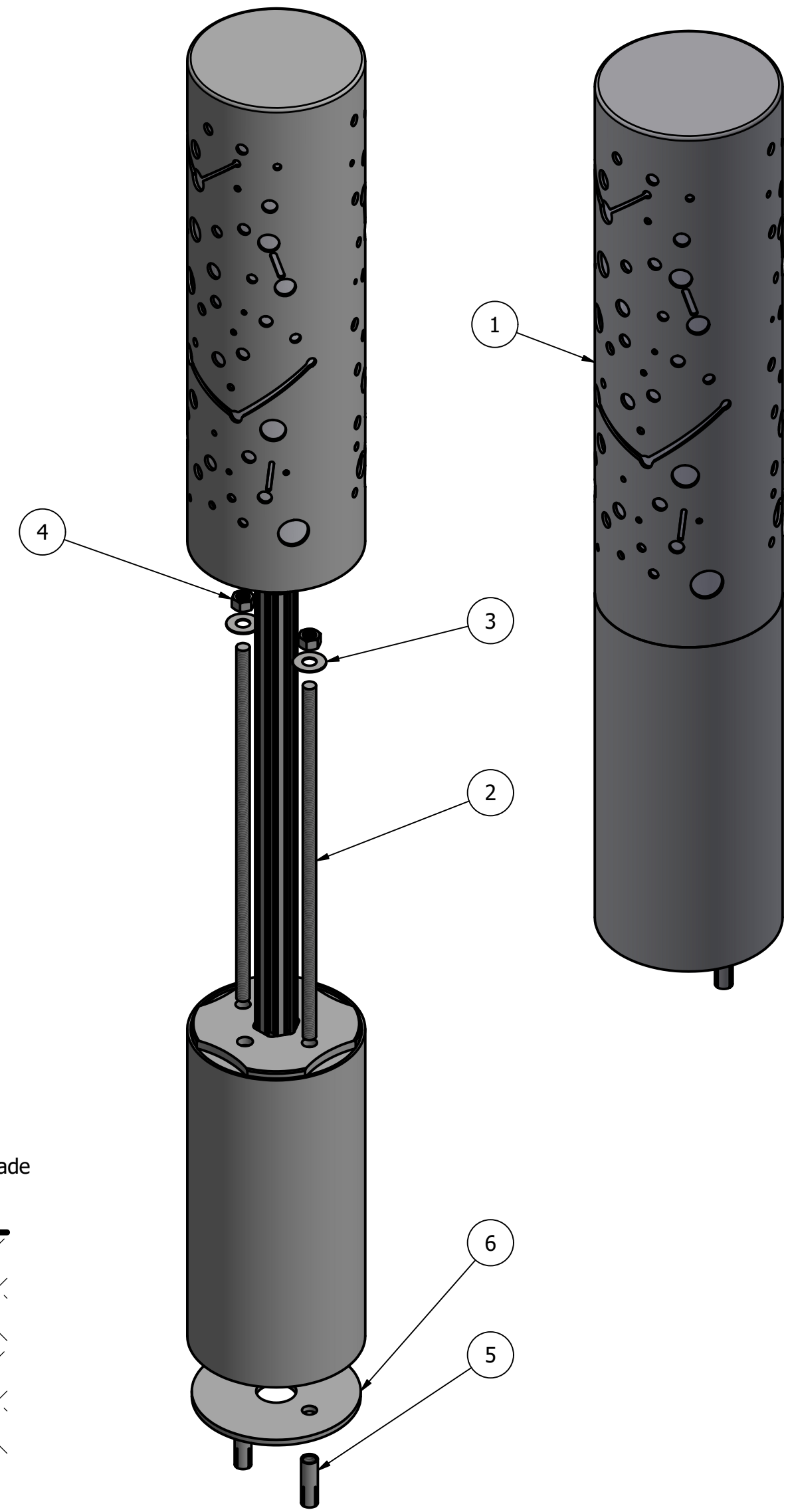


SECTION A-A

Notes:

- Embedment details are for reference illustration only. Minimum foundation sizes depend on local soil conditions, weather conditions and engineering requirements.
- Bollard is provided as shown with parts listed below. Concrete foundation and/or installation not provided by Reliance Foundry.
- This drawing is not drawn to scale. Dimensions provided herein are for reference only. Please consult Reliance Foundry sales professionals if any dimension is critical to your particular installation.
- Reliance Foundry reserves the right to amend design and specifications without prior notice for product improvement.

PARTS LIST					
ITEM	QTY	PART NUMBER	DESCRIPTION	MATERIAL	
1	1	R6304 Bollard Body	Bollard Body	Stainless Steel 316	
2	2	Threaded Rod 1/2"	Threaded Rod 1/2" x 16" Long	Stainless Steel	
3	2	Stainless Steel Washer 1/2"	Stainless Steel Washer 1/2" OD 1 1/4" Thick .05"	Stainless Steel	
4	2	Hex Nut 1/2"	Hexagonal Nut 1/2"	Stainless Steel	
5	2	Drop-in Concrete Insert 1/2"	Drop-in Concrete Insert 1/2" - requires 5/8" x 2" hole (dia. x depth)	Stainless Steel	
6	1	Guide Plate	Guide Plate	Aluminum or Galvanized Steel	



General Description:

Enhance visibility with the R-6304 Constellation Light Bollard. Crafted from premium 316-grade stainless steel, featuring 4000 K lighting, and showcasing star-inspired cut-outs. AC powered LEDs provide a reliable lighting solution with simple installation into existing concrete.

For more information on bollard post installation, please visit: www.reliance-foundry.com/bollard/installation-bollards

Specifications:

- Total Height: 36"
- Diameter: 6 5/8"
- Weight: 32.78 lbs
- Material: Stainless Steel 316

Finish Options:

- Satin No.6

RELIANCE FOUNDRY
— SINCE 1925 —

Unit 207, 6450 - 148 Street, Surrey, BC V3S 7G7, Canada
1-877-789-3245 info@reliance-foundry.com
www.reliance-foundry.com

TITLE			
R-6304 Constellation Bollard			
SIZE	DWG NO	REV	
C	R-6304_public	A05	