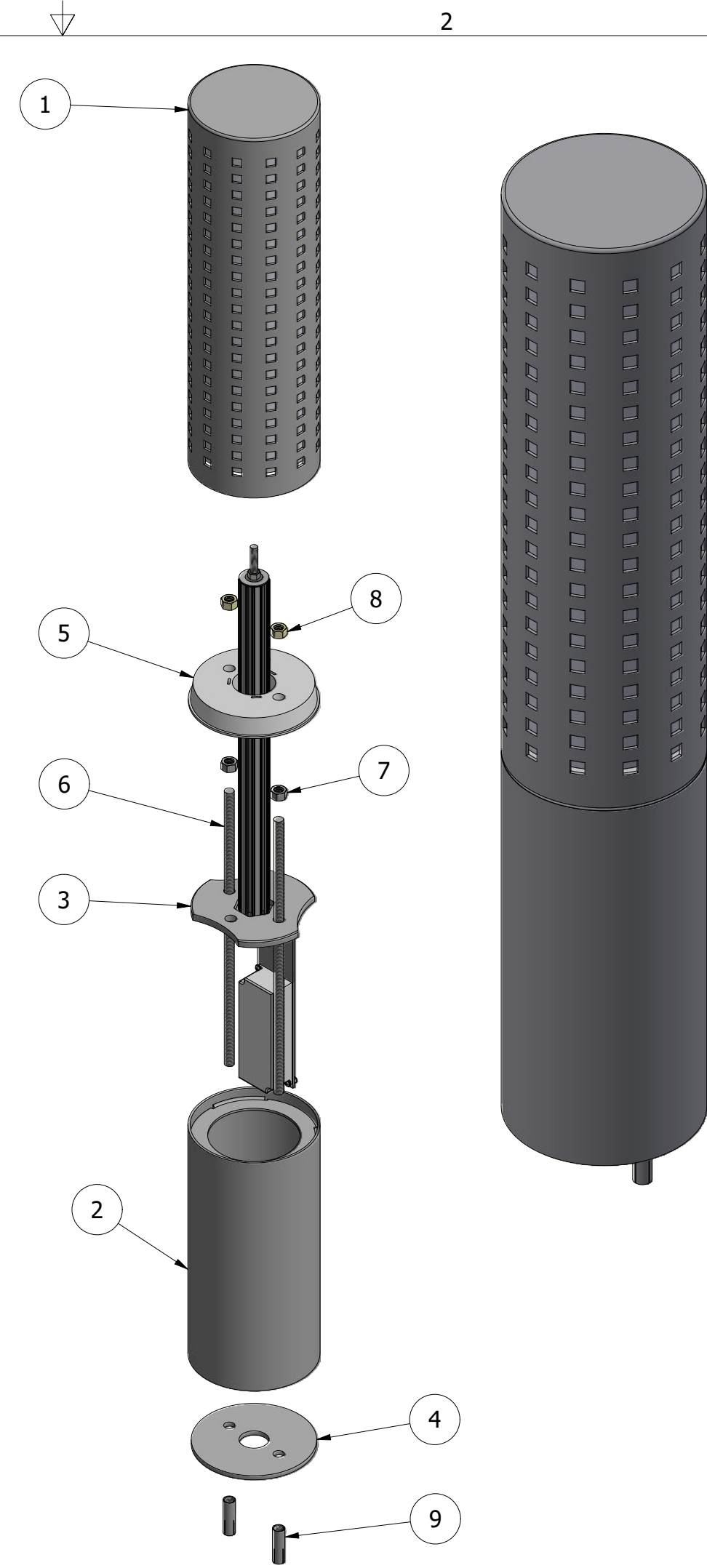
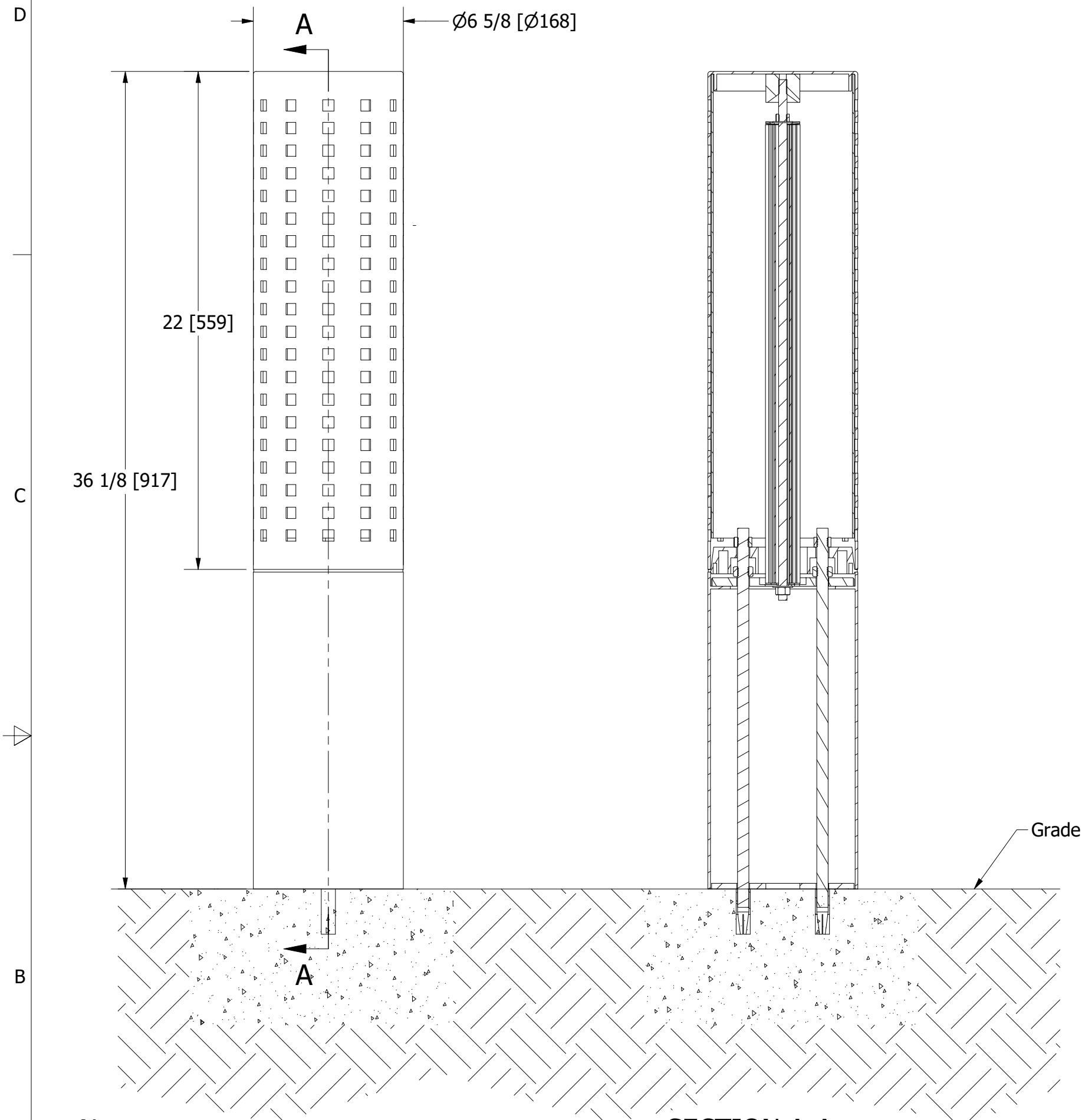


R-6302 Seattle Bollard



General Description:

Enhance your outdoor spaces with the R-6302 Seattle Light Bollard. Crafted from 316 stainless steel, it offers corrosion protection, 4000 K neutral white or 8 color lighting options for safety and ambiance, and a unique square cutout pattern to match our Seattle trash can. The AC powered LEDs provide a reliable lighting solution. Installation uses a bolt-down concrete insert.

For more information on bollard post installation, please visit: www.reliance-foundry.com/bollard/installation-bollards

Specifications:

- Total Height: 36 1/8" [917mm]
- Diameter: 6 5/8" [168mm]
- Weight: 31.8 lbs [14.4 kg]
- Material: Stainless Steel 316

Finish Options:

- Satin No.6

Light Color Options:

- Warm White (3000K)
- Neutral White (4000K)
- Red
- Green
- Blue
- Yellow
- Cyan
- Violet

Notes:

- Embedment details are for reference illustration only. Minimum foundation sizes depend on local soil conditions, weather conditions and engineering requirements.
- Bollard is provided as shown with parts listed below. Concrete foundation and/or installation not provided by Reliance Foundry.
- This drawing is not drawn to scale. Dimensions provided herein are for reference only. Please consult Reliance Foundry sales professionals if any dimension is critical to your particular installation.
- Reliance Foundry reserves the right to amend design and specifications without prior notice for product improvement.

SECTION A-A

PARTS LIST						
ITEM	QTY	PART NUMBER	DESCRIPTION	MATERIAL	WEIGHT	
1	1	R6302 Bollard Body	Bollard Body	Stainless Steel 316	15.4 lbs	
2	1	R63XX Stand	R63XX Stand	Stainless Steel 316	10.3 lbs	
3	1	R63XX Adapter Assembly	R63XX Adapter Assembly	Aluminum	3.8 lbs	
4	1	Guide Plate	Guide Plate	Aluminum or Galvanized Steel	0.7 lbs	
5	1	R63XX_Lens_Adapter	R63XX Lens Adapter	UHMWPE, White	0.4 lbs	
6	2	Threaded_rod_1_2_16.75in	Threaded_rod_1_2_16 3/4"	Stainless Steel	0.9 lbs	
7	2	Hex_nut_ss_1_2	Hexagonal Nut 1/2"	Stainless Steel	-	
8	2	hex_nut_Nylon_1_2	Hex_Nut_Nylon_1_2	Nylon	-	
9	2	Drop-in Concrete Insert 1/2"	Drop-in Concrete Insert 1/2" - requires 5/8" x 2" hole (dia. x depth)	Stainless Steel	0.1 lbs	



Unit 207, 6450 - 148 Street, Surrey, BC V3S 7G7, Canada
 1-877-789-3245 info@reliance-foundry.com
www.reliance-foundry.com

R-6302 Seattle Bollard

SIZE	DWG NO	REV
C	R-6302_public	A06