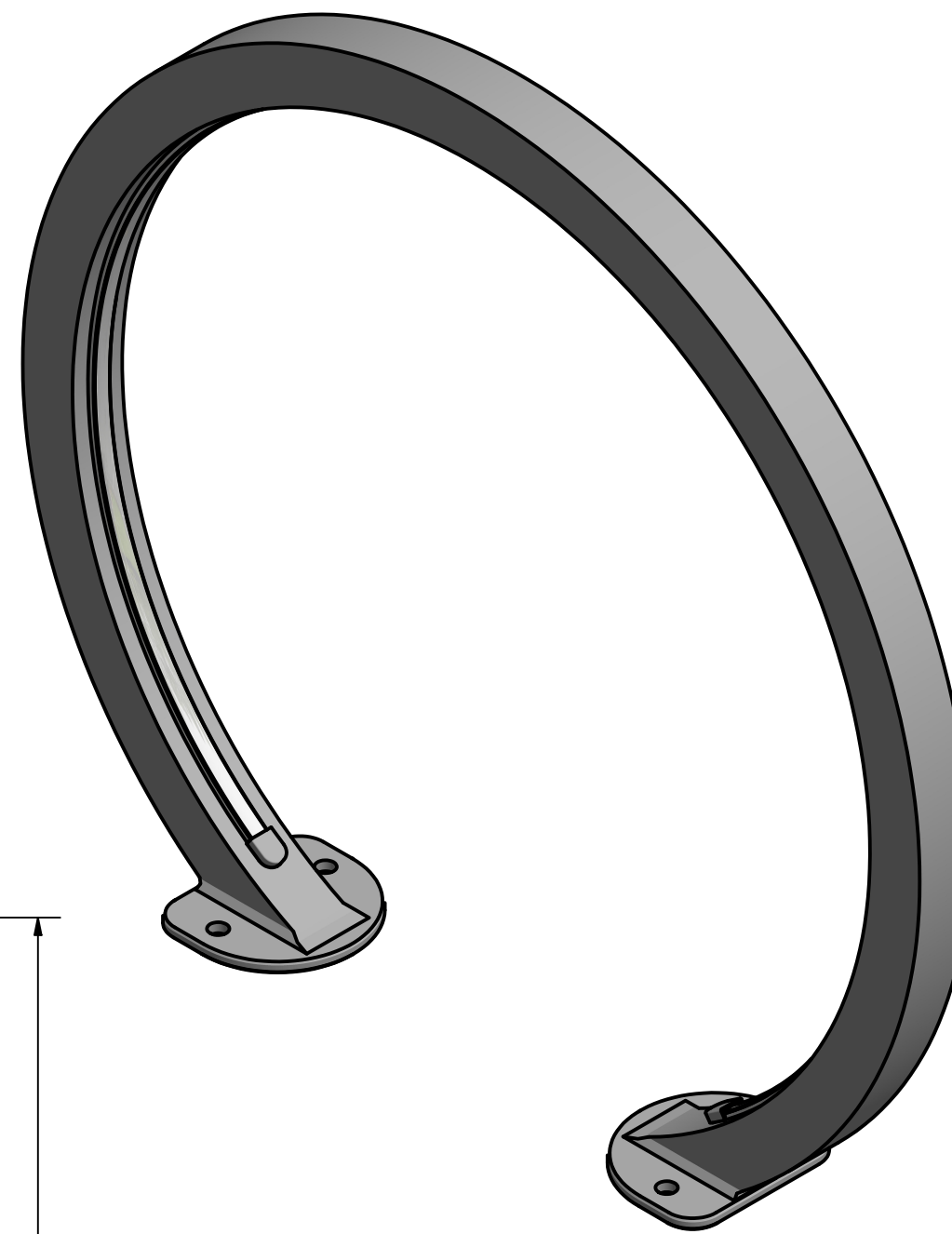
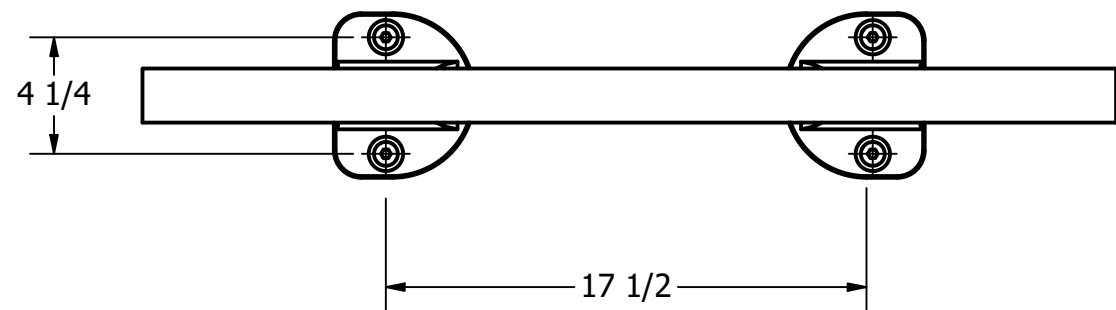
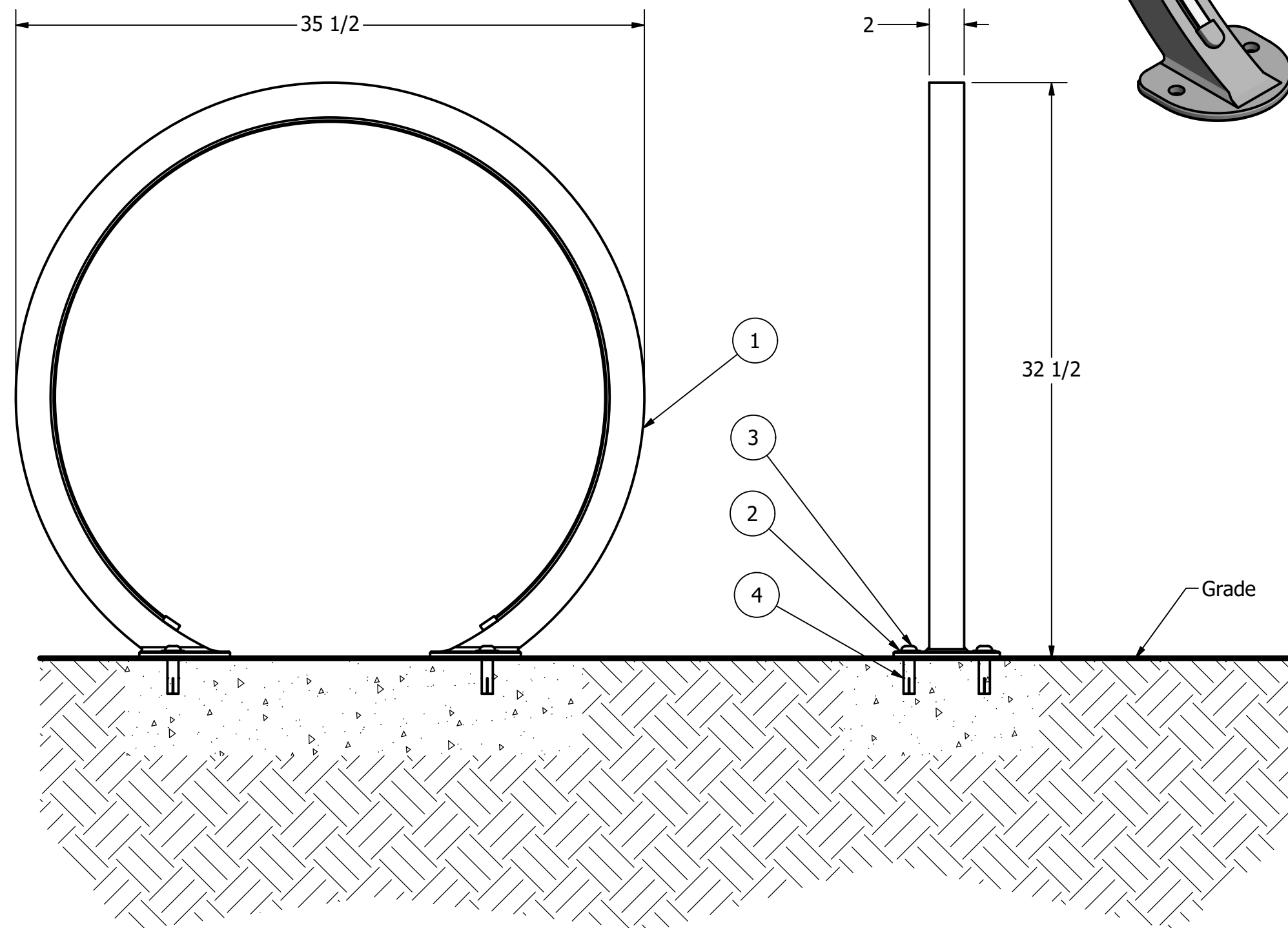


R-6234 Ferris Lit Bike Rack

D



C



B

Notes:

- Embedment details are for reference illustration only. Minimum foundation sizes depend on local soil conditions, weather conditions and engineering requirements.
- Bike rack is provided as shown with parts listed below. Concrete foundation and/or installation not provided by Reliance Foundry.
- This drawing is not drawn to scale. Dimensions provided herein are for reference only. Please consult Reliance Foundry sales professionals if any dimension is critical to your particular installation.
- Reliance Foundry reserves the right to amend design and specifications without prior notice for product improvement.

General Description:

The Ferris lit bike rack provides a modern, illuminated design suitable for building entrances, parks, and other areas. The ring-shaped steel structure of the Ferris provides optimal stability and support by offering a 2-point contact system with bike frames. The LED strip features 4000 K neutral white AC lighting. Easy to install using bolt-down flanges in existing concrete.

Specifications:

- Height: 32 1/2"
- Cross Span: 35 1/2"
- Weight: 27 lbs
- Material: Steel
- Color Temperature: 4000 K (Neutral White)
- Nominal Input Voltage: 100-240 VAC 50/60 Hz
- Power Use: 12 W

Finish Options:

- Polyester Powdercoated
- FrameSafe

See Reliance Foundry's standard color options at www.reliance-foundry.com/bollard/colors-bollards

RELIANCE FOUNDRY
SINCE 1925

Unit 207, 6450 - 148 Street, Surrey, BC V3S 7G7, Canada
1-877-789-3245 info@reliance-foundry.com
www.reliance-foundry.com

TITLE

R-6234 Ferris Lit Bike Rack

SIZE
C

DWG NO
Ferris_public

REV
A04

COPYRIGHT RESERVED THIS PLAN DRAWING AND DESIGN ARE, AND AT ALL TIMES REMAIN, THE EXCLUSIVE PROPERTY OF RELIANCE FOUNDRY CO. LTD.

NOT TO SCALE

SHEET 1 OF 2

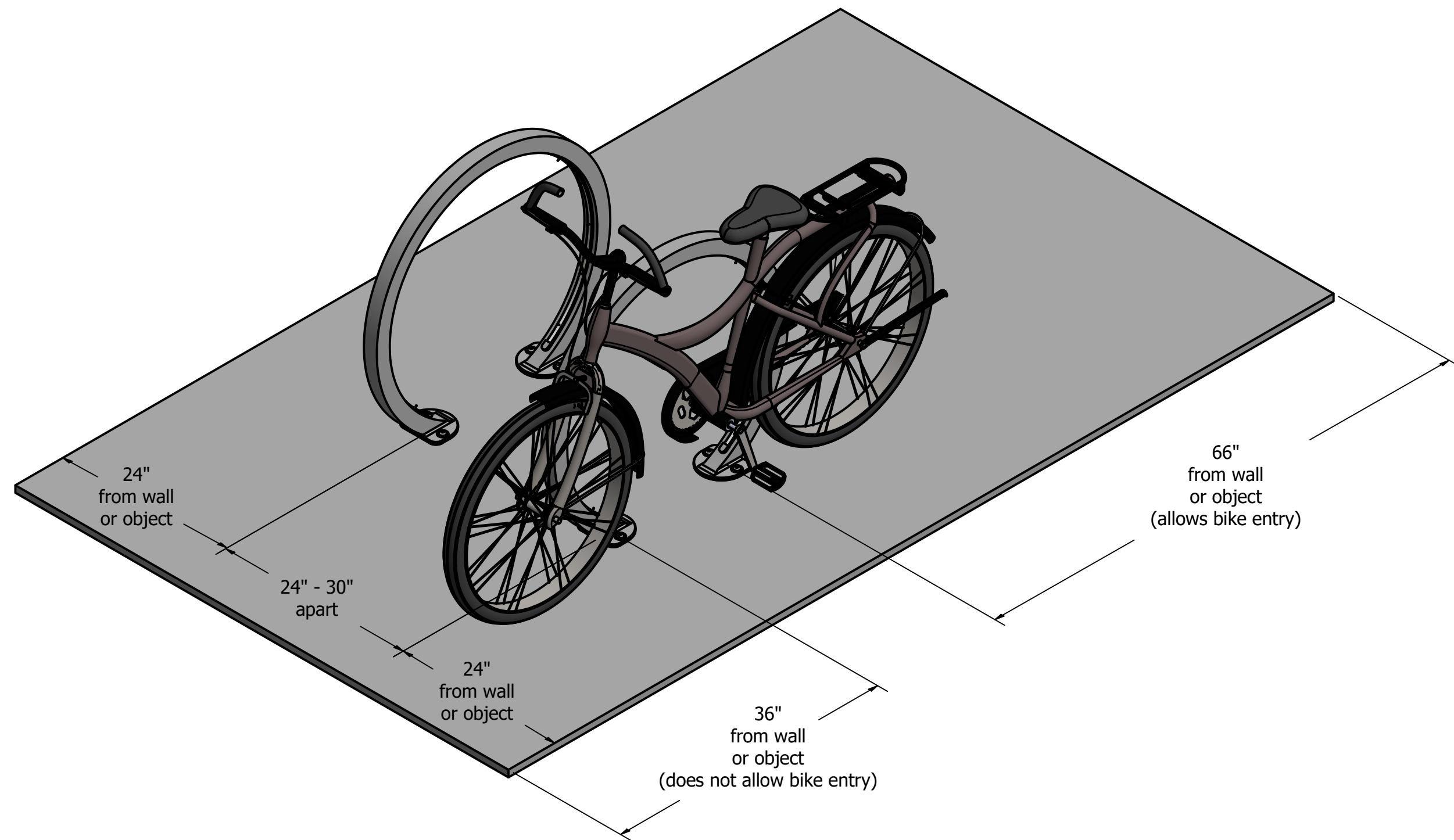
A

A

R-6234 Ferris Lit Bike Rack

Ferris Bike Rack Spacing

Spacing dimensions are only example suggestions and may not be suitable for specific locations. Dimensions do not account for walkways or other space considerations. Be sure to consult a design professional and any applicable municipal codes before installing.



General Description:

The Ferris lit bike rack provides a modern, illuminated design suitable for building entrances, parks, and other areas. The ring-shaped steel structure of the Ferris provides optimal stability and support by offering a 2-point contact system with bike frames. The LED strip features 4000 K neutral white AC lighting. Easy to install using bolt-down flanges in existing concrete.

Specifications:

- Height: 32 1/2"
- Cross Span: 35 1/2"
- Weight: 27 lbs
- Material: Steel
- Color Temperature: 4000 K (Neutral White)
- Nominal Input Voltage: 100-240 VAC 50/60 Hz
- Power Use: 12 W

Finish Options:

- Polyester Powdercoated
- FrameSafe

See Reliance Foundry's standard color options at www.reliance-foundry.com/bollard/colors-bollards

RELIANCE FOUNDRY
SINCE 1925

Unit 207, 6450 - 148 Street, Surrey, BC V3S 7G7, Canada
1-877-789-3245 info@reliance-foundry.com
www.reliance-foundry.com

TITLE

R-6234 Ferris Lit Bike Rack

SIZE	DWG NO	REV
C	Ferris_public	A04