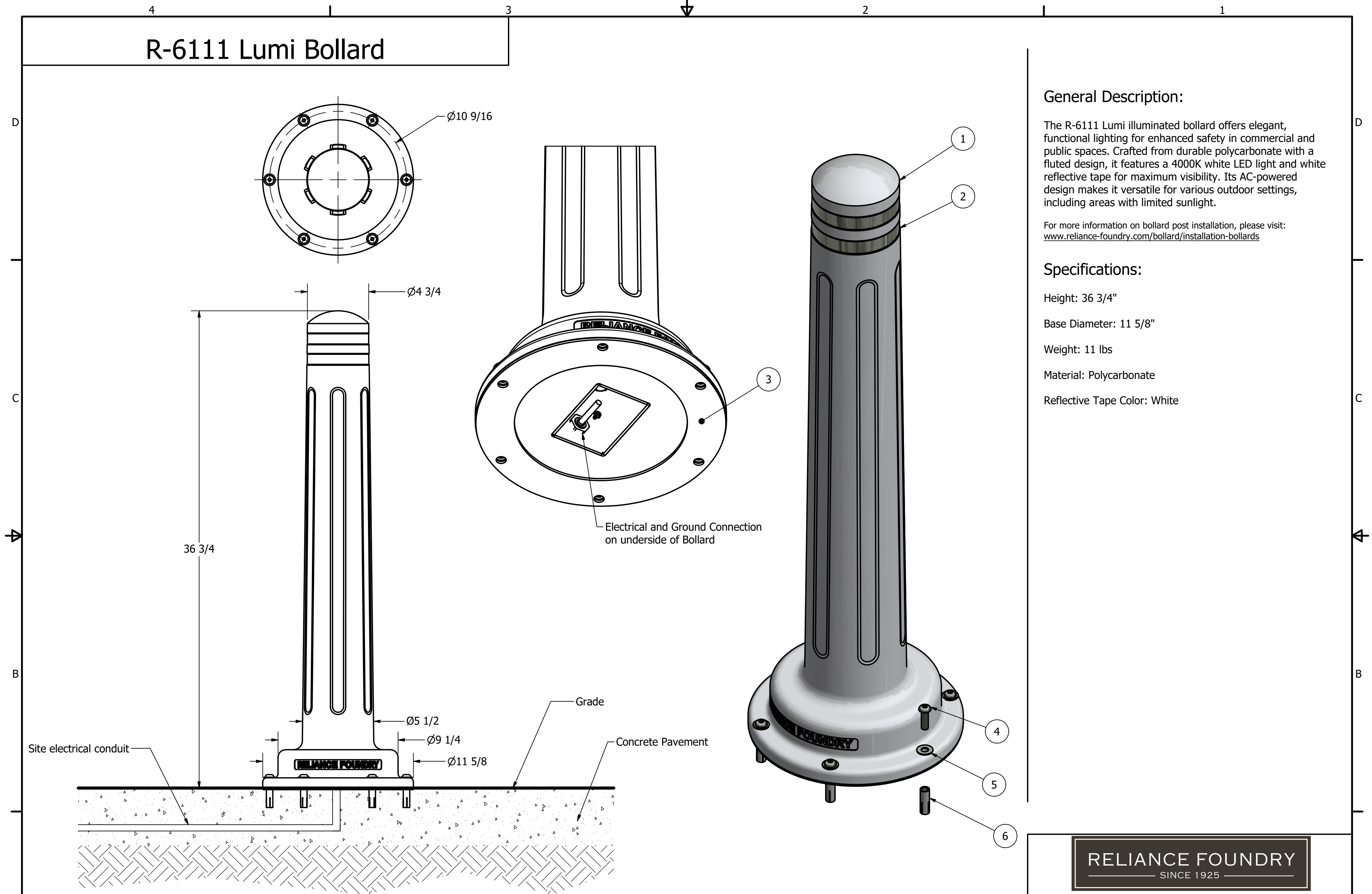


# R-6111 Lumi Bollard



## General Description:

The R-6111 Lumi illuminated bollard offers elegant, functional lighting for enhanced safety in commercial and public spaces. Crafted from durable polycarbonate with a fluted design, it features a 4000K white LED light and white reflective tape for maximum visibility. Its AC-powered design makes it versatile for various outdoor settings, including areas with limited sunlight.

For more information on bollard post installation, please visit: [www.reliance-foundry.com/bollard/installation-bollards](http://www.reliance-foundry.com/bollard/installation-bollards)

## Specifications:

Height:  $36 \frac{3}{4}$ "

Base Diameter:  $11 \frac{5}{8}$ "

Weight: 11 lbs

Material: Polycarbonate

Reflective Tape Color: White

## Notes:

- Embedment details are for reference illustration only. Minimum foundation sizes depend on local soil conditions, weather conditions, and engineering requirements.
- Bollard is provided as shown, with parts listed below. Concrete foundation and/or installation not provided by Reliance Foundry.
- This drawing is not drawn to scale. Dimensions provided herein is for reference only. Please consult Reliance Foundry sales professionals if any dimension is critical to your particular installation.
- Reliance Foundry reserves the right to amend design and specifications without prior notice for product improvement.

PARTS LIST		
ITEM	QTY	PART NUMBER
1	1	R6111 Lumi Bollard
2	2	White Reflective Tape
3	1	EPDM-Sponge Gasket
4	6	Button Head Bolt $\frac{3}{8}$ " x $1 \frac{1}{4}$ "
5	6	Stainless Steel Washer $\frac{3}{8}$ "
6	6	Drop-in Concrete Insert $\frac{3}{8}$ "

**RELIANCE FOUNDRY**  
SINCE 1925

Unit 207, 6450 - 148 Street, Surrey, BC V3S 7G7, Canada  
1-877-789-3245 info@reliance-foundry.com  
[www.reliance-foundry.com](http://www.reliance-foundry.com)

**R-6111 Lumi Bollard**

SIZE <b>C</b>	DWG NO <b>R6111_public</b>	REV <b>A02</b>
------------------	-------------------------------	-------------------