

St. Louis Bench

R-5524 - 4 Foot



R-5526 - 6 Foot



General Description:

The R-5524 and R-5526 St. Louis bench boast a sleek, modern design with a full-length backrest and angled armrests, featuring wood slats in three available finishes, and a durable powder-coated cast-iron frame. The St. Louis bench is available in both four- and six-foot lengths to fit many spaces.

For more information on bench installation, please visit:
<https://www.reliance-foundry.com/site-furnishings/installation-site-furnishings>

Specifications:

Overall Height: 31 1/2"

Seat Height: 17 1/2"

Length: 4' or 6'

Depth: 26 3/8"

Weight: *Depends on length and slat material

- 4') 140 - 145 lbs
- 6') 160 - 165 lbs

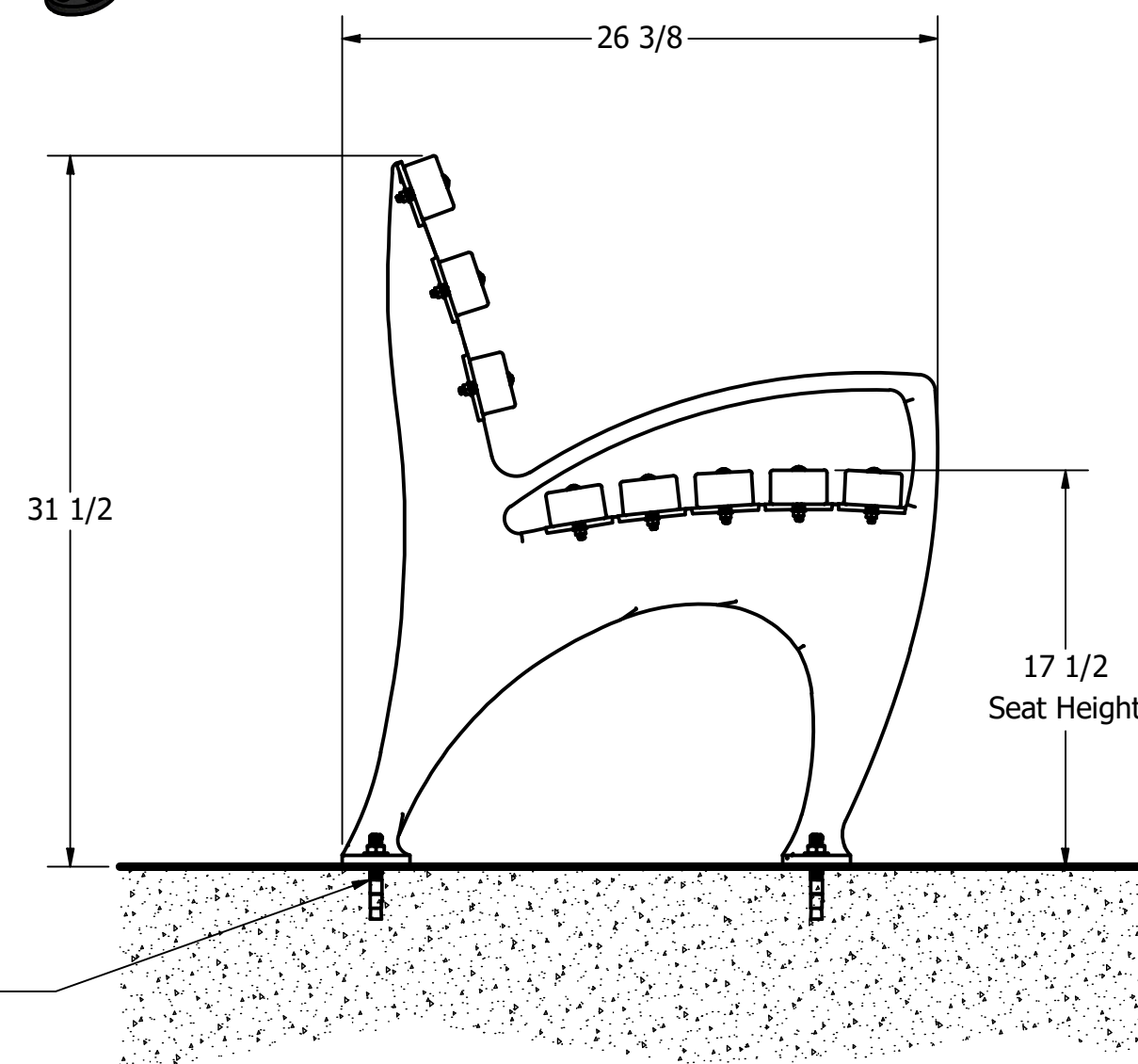
Material: Cast Iron with Steel Bracket(s) and Stainless Steel Hardware

Slat Options:

- Thermo-Ash
- Maple
- Recycled Plastic Lumber (Teak)

Finish Options:

- Polyester Powdercoated
- IronArmor
- Reliance+



Includes 1/2" Wedge Anchor Bolts
 Minimum 3" Installation Depth Required

RELIANCE FOUNDRY
 SINCE 1925

Unit 207, 6450 - 148 Street, Surrey, BC V3S 7G7, Canada
 1-877-789-3245 info@reliance-foundry.com
www.reliance-foundry.com

TITLE			
St. Louis Bench			
SIZE	DWG NO	REV	
C	STLBench_Public	A03	
NOT TO SCALE		SHEET 1 OF 3	

St. Louis Bench, 4 Foot, R-5524



General Description:

The R-5524 and R-5526 St. Louis bench boast a sleek, modern design with a full-length backrest and angled armrests, featuring wood slats in three available finishes, and a durable powder-coated cast-iron frame. The St. Louis bench is available in both four- and six-foot lengths to fit many spaces.

For more information on bench installation, please visit: <https://www.reliance-foundry.com/site-furnishings/installation-site-furnishings>

Specifications:

Overall Height: 31 1/2"

Seat Height: 17 1/2"

Length: 4' or 6'

Depth: 26 3/8"

Weight: *Depends on length and slat material

- 4') 140 - 145 lbs
- 6') 160 - 165 lbs

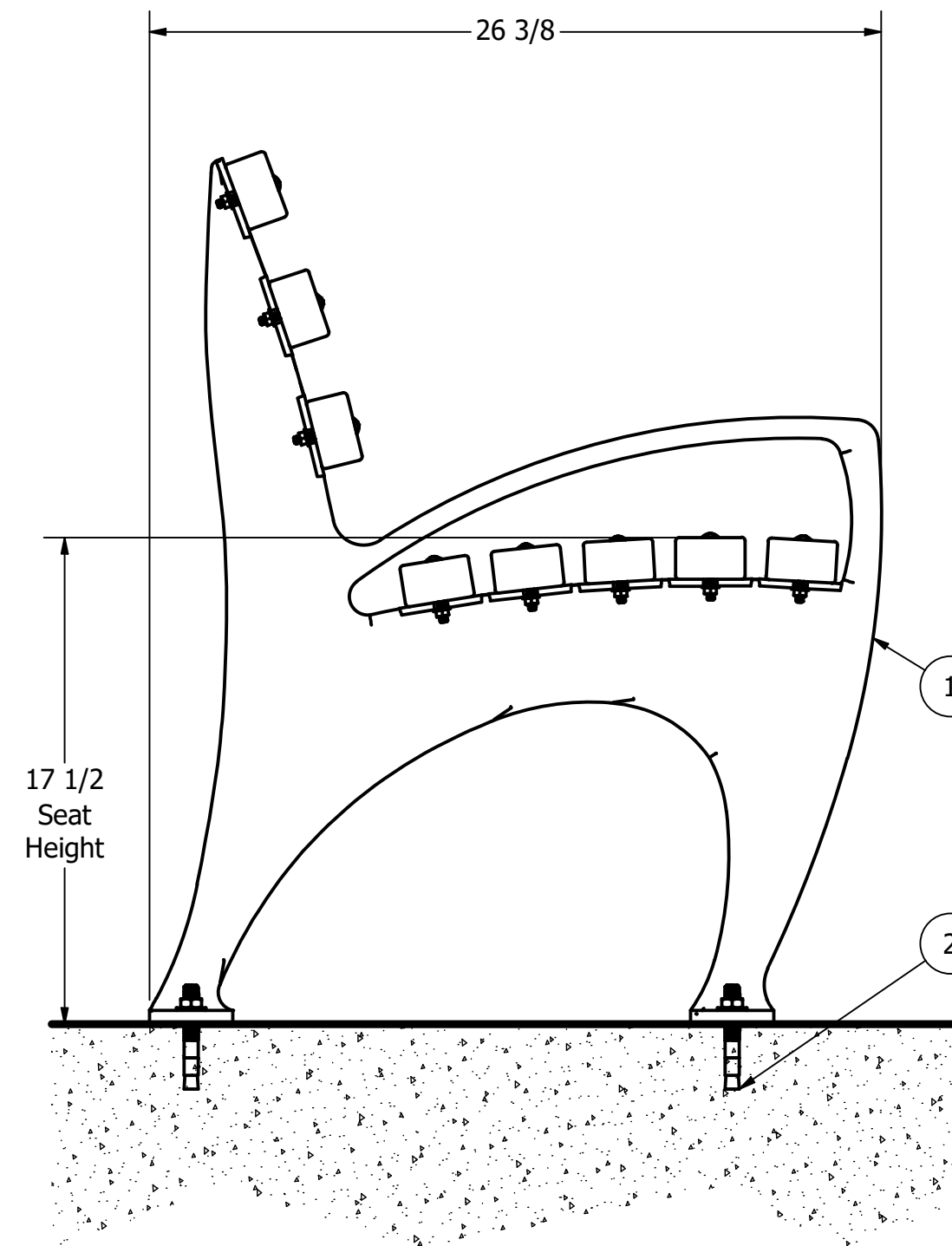
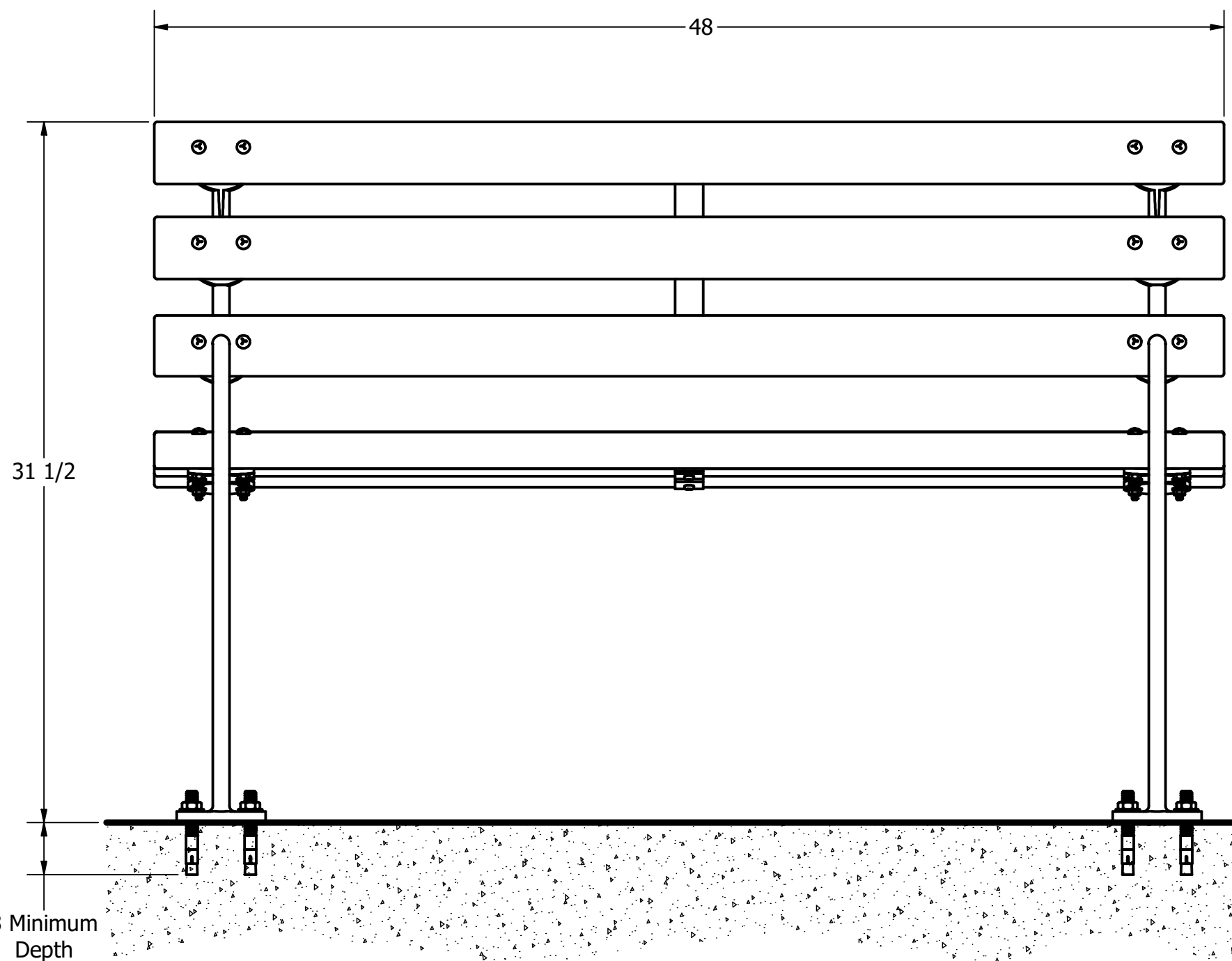
Material: Cast Iron with Steel Bracket(s) and Stainless Steel Hardware

Slat Options:

- Thermo-Ash
- Maple
- Recycled Plastic Lumber (Teak)

Finish Options:

- Polyester Powdercoated
- IronArmor
- Reliance+



Notes:

- Embedment details are for reference illustration only. Minimum foundation sizes depend on local soil conditions, weather conditions, and engineering requirements.
- Bollard is provided as shown, with parts listed below. Concrete foundation and/or installation not provided by Reliance Foundry.
- This drawing is not drawn to scale. Dimensions provided herein is for reference only. Please consult Reliance Foundry sales professionals if any dimension is critical to your particular installation.
- Reliance Foundry reserves the right to amend design and specifications without prior notice for product improvement.

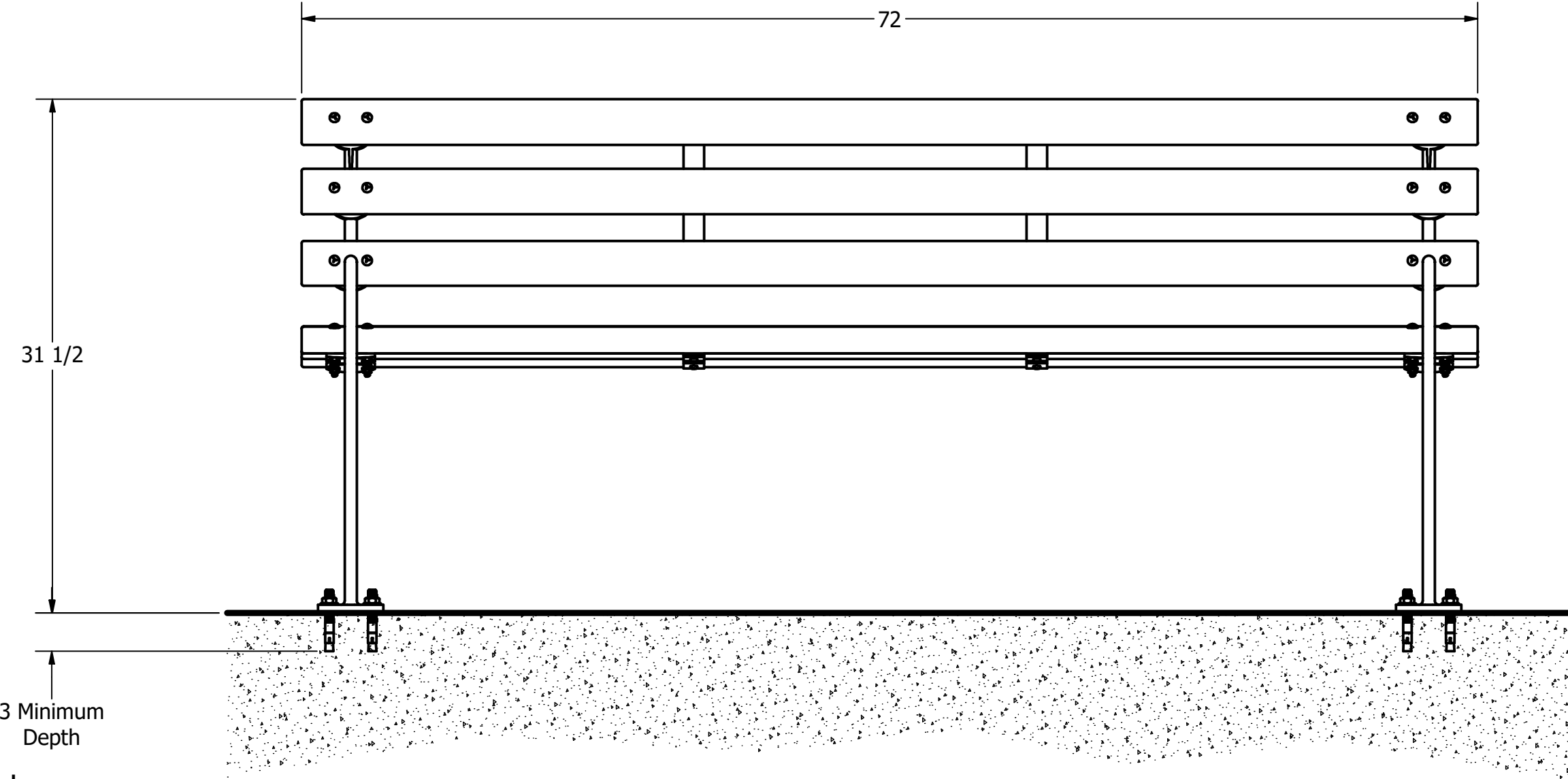
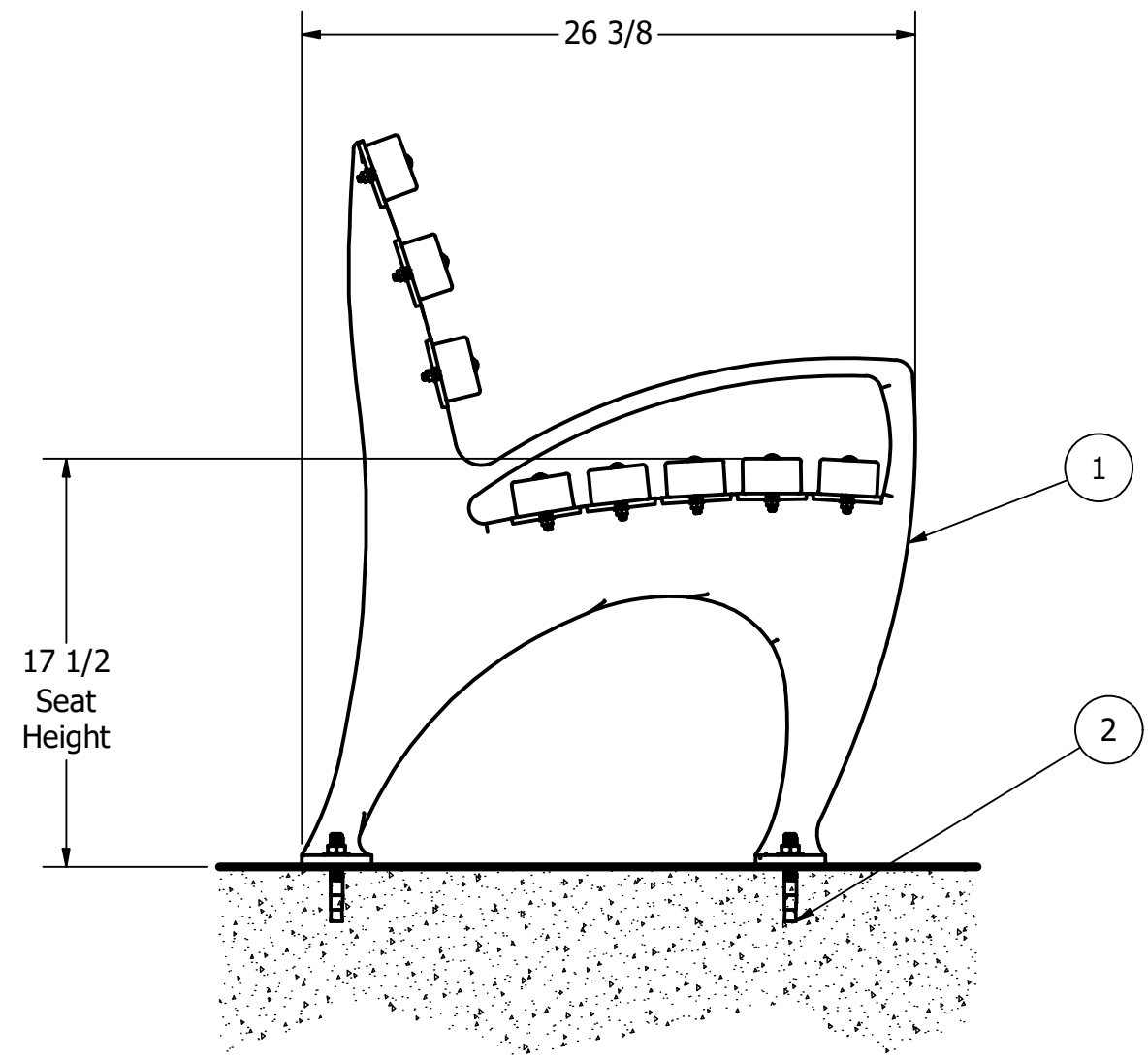
PARTS LIST			
ITEM	QTY	PART NUMBER	DESCRIPTION
1	1	R-5524	St. Louis Bench - 4 Foot
2	8	1/2" Concrete Wedge Anchor	Stainless Steel Wedge Anchor

RELIANCE FOUNDRY
SINCE 1925

Unit 207, 6450 - 148 Street, Surrey, BC V3S 7G7, Canada
1-877-789-3245 info@reliance-foundry.com
www.reliance-foundry.com

TITLE			
St. Louis Bench, 4 Foot R-5524			
SIZE	DWG NO	REV	
C	STLBench_Public	A03	

St. Louis Bench, 6 Foot, R-5526



General Description:

The R-5524 and R-5526 St. Louis bench boast a sleek, modern design with a full-length backrest and angled armrests, featuring wood slats in three available finishes, and a durable powder-coated cast-iron frame. The St. Louis bench is available in both four- and six-foot lengths to fit many spaces.

For more information on bench installation, please visit: <https://www.reliance-foundry.com/site-furnishings/installation-site-furnishings>

Specifications:

- Overall Height: 31 1/2"
- Seat Height: 17 1/2"
- Length: 4' or 6'
- Depth: 26 3/8"
- Weight: *Depends on length and slat material
 - 4') 140 - 145 lbs
 - 6') 160 - 165 lbs
- Material: Cast Iron with Steel Bracket(s) and Stainless Steel Hardware

Slat Options:

- Thermo-Ash
- Maple
- Recycled Plastic Lumber (Teak)

Finish Options:

- Polyester Powdercoated
- IronArmor
- Reliance+

Notes:

- Embedment details are for reference illustration only. Minimum foundation sizes depend on local soil conditions, weather conditions, and engineering requirements.
- Bollard is provided as shown, with parts listed below. Concrete foundation and/or installation not provided by Reliance Foundry.
- This drawing is not drawn to scale. Dimensions provided herein is for reference only. Please consult Reliance Foundry sales professionals if any dimension is critical to your particular installation.
- Reliance Foundry reserves the right to amend design and specifications without prior notice for product improvement.

PARTS LIST			
ITEM	QTY	PART NUMBER	DESCRIPTION
1	1	R-5526	St. Louis Bench - 6 Foot
2	8	1/2" Concrete Wedge Anchor	Stainless Steel Wedge Anchor

RELIANCE FOUNDRY
— SINCE 1925 —

Unit 207, 6450 - 148 Street, Surrey, BC V3S 7G7, Canada
1-877-789-3245 info@reliance-foundry.com
www.reliance-foundry.com

TITLE			
St. Louis Bench, 6 Foot R-5526			
SIZE	DWG NO	REV	
C	STLBench_Public	A03	
NOT TO SCALE		SHEET 3 OF 3	