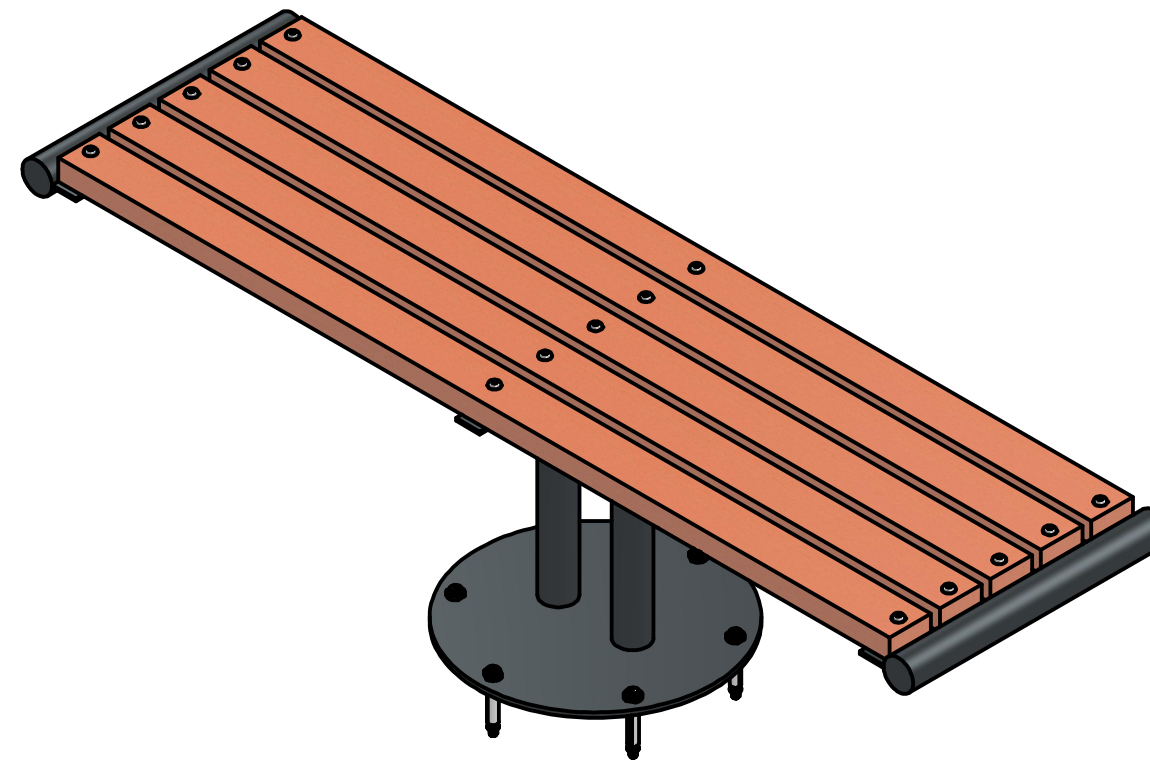
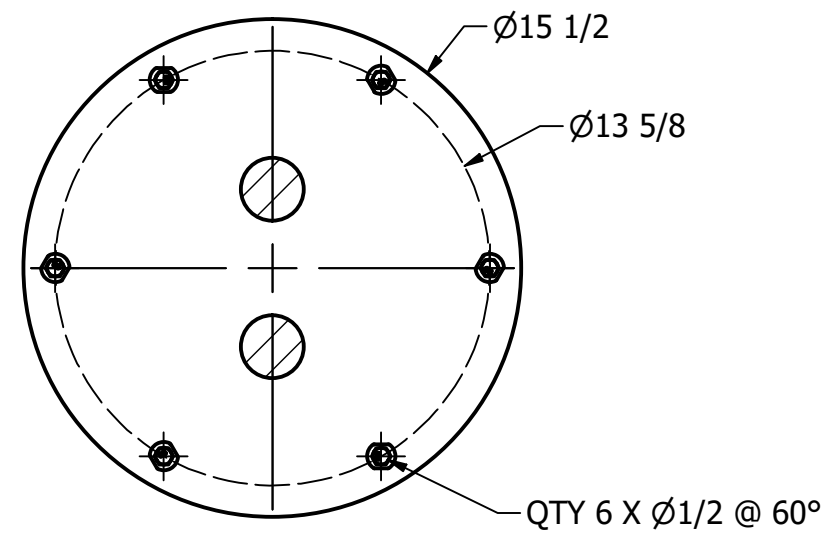


Marietta Bench Backless R-5506-BL



General Description:

The R-5506-BL backless Marietta bench is composed of oil-brushed camphor wood slats and powder-coated steel for a charming, organic aesthetic fit for diverse indoor and outdoor surroundings. This backless version conserves space, and allows for various configuration options as the bench can be used facing either direction. Simple bolt-down installation allows for easy setup in any environment.

For more information on bolt-down installation, please visit www.reliance-foundry.com/bollard/installation-bollards

Specifications:

Height: 16 15/16" (Above Grade)

Base Diameter: 11 3/4"

Weight: 59 lbs

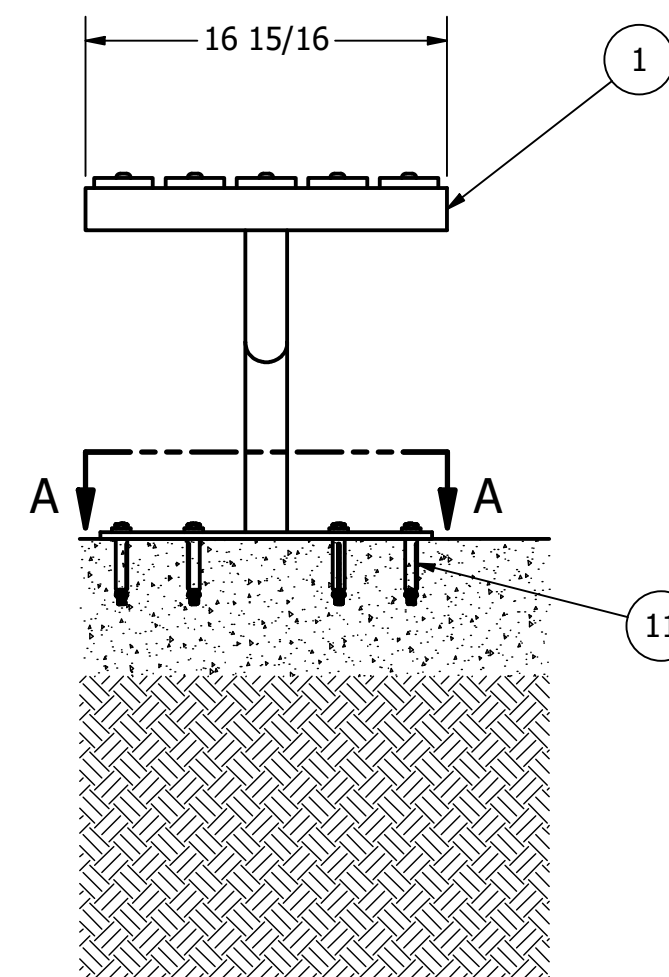
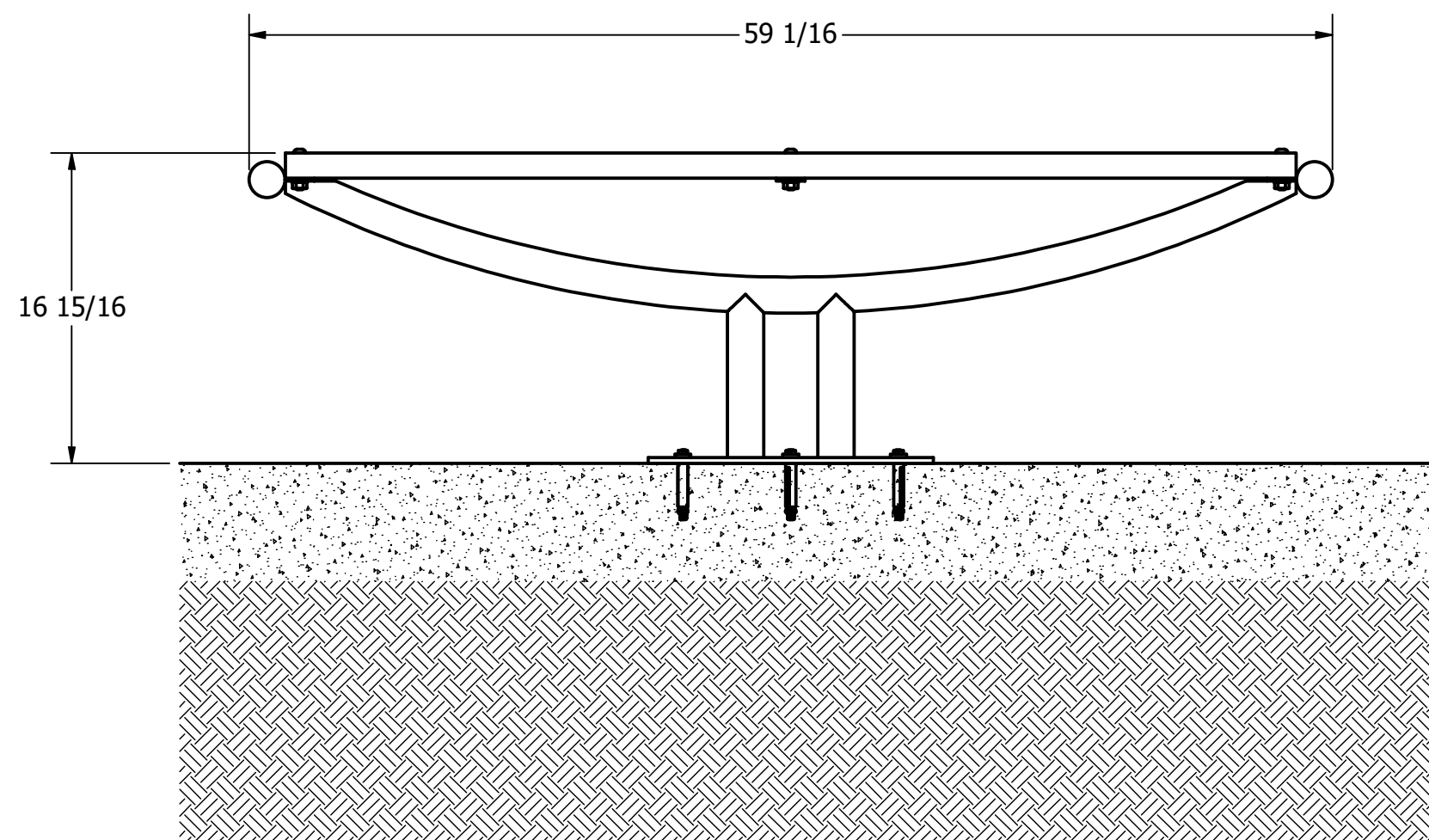
Material: Mild Steel Pipe and Camphor Wood Slats

Product Options:

- With Back
- See Product R-5506-BL Marietta Bench Backless
- ⊙ Backless

Finish Options:

- ⊙ Polyester Powdercoated



Notes:

1. Embedment details are for reference illustration only. Minimum foundation sizes depend on local soil and weather conditions as well as engineering requirements.
2. This drawing is not drawn to scale. Dimensions provided herein are for reference only. Please consult Reliance Foundry sales professionals if any dimension is critical to your particular installation.
3. Reliance Foundry reserves the right to amend design and specifications without prior notice for product improvement.

PARTS LIST

ITEM	QTY	PART NUMBER	DESCRIPTION
1	1	R5506	Marietta Bench
2	6		M8 x 80mm Expansion Screw

COPYRIGHT RESERVED THIS PLAN DRAWING AND DESIGN ARE, AND AT ALL TIMES REMAIN, THE EXCLUSIVE PROPERTY OF RELIANCE FOUNDRY CO. LTD.

RELIANCE FOUNDRY
SINCE 1925

Unit 207, 6450 - 148 Street, Surrey, BC V3S 7G7, Canada
1-877-789-3245 info@reliance-foundry.com
www.reliance-foundry.com

TITLE

**Marietta Bench Backless
R-5506-BL**

SIZE
C

DWG NO
R5506BL_public

REV
A05

NOT TO SCALE

SHEET 1 OF 1