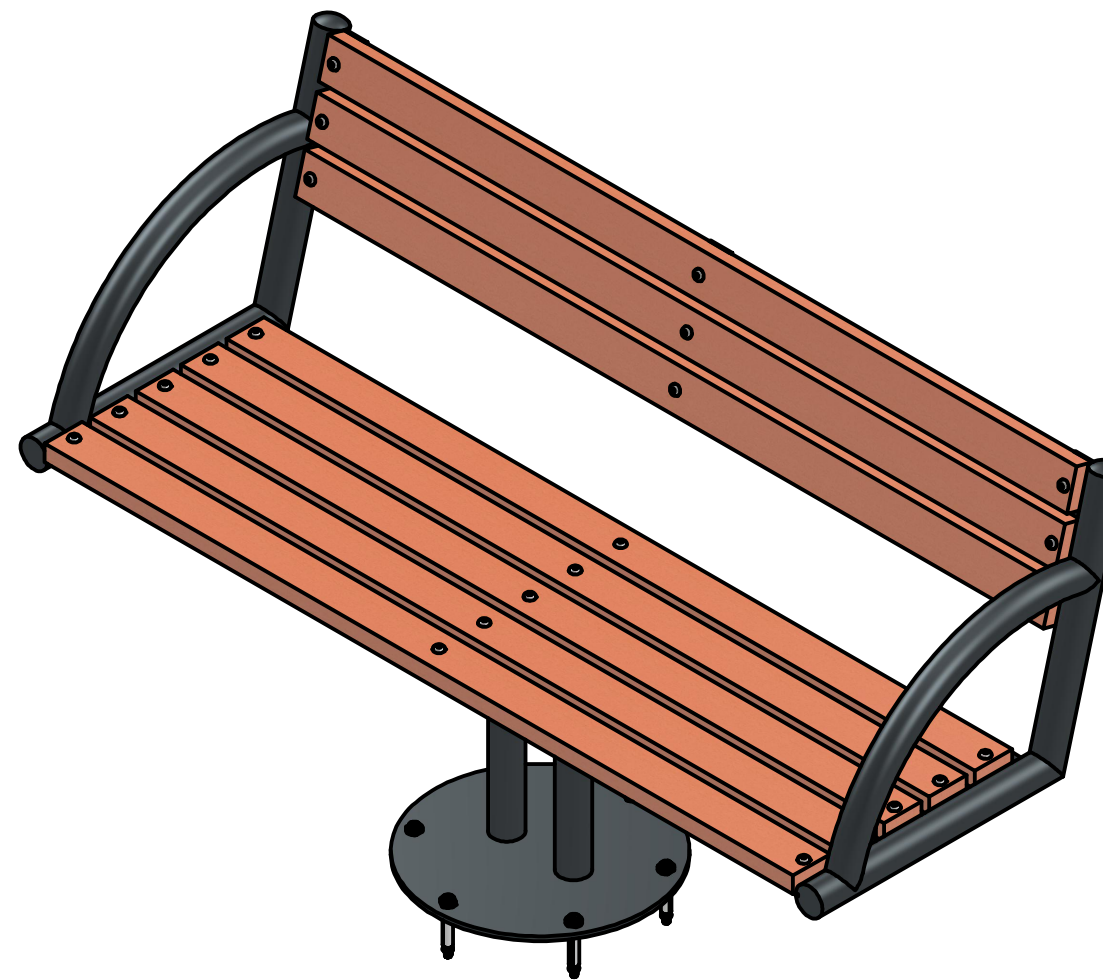
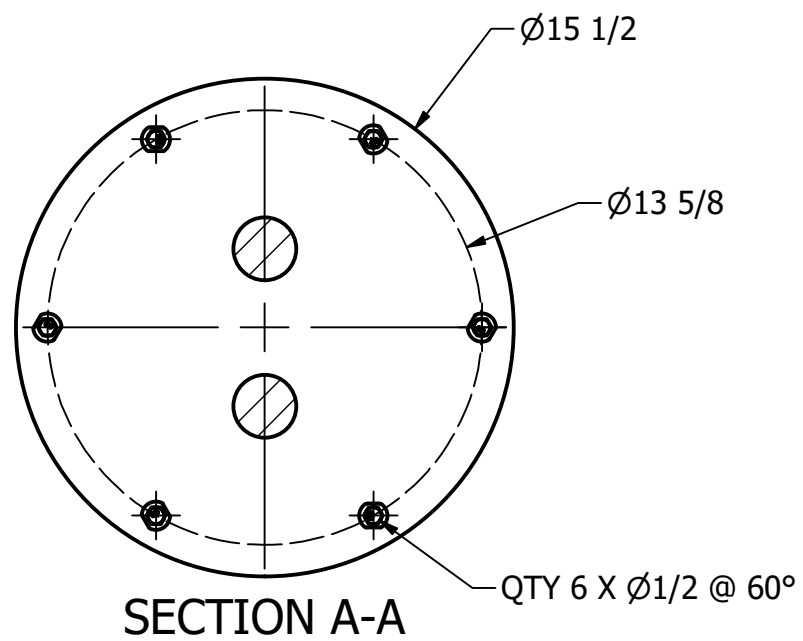


# Marietta Bench R-5506



## General Description

The R-5506 Marietta wooden bench, with its attractive camphor wood slats, invites passersby to sit, rest, and interact. Camphor wood slats are oil brushed for an appealing sheen and to withstand outdoor environments. Installation is easy with a simple bolt-down method.

For more information on bolt-down installation, please visit [www.reliance-foundry.com/bollard/installation-bollards](http://www.reliance-foundry.com/bollard/installation-bollards)

## Specifications:

Height: 32 11/16" ( Above Grade )

Base Diameter: 11 3/4"

Weight: 95 lbs

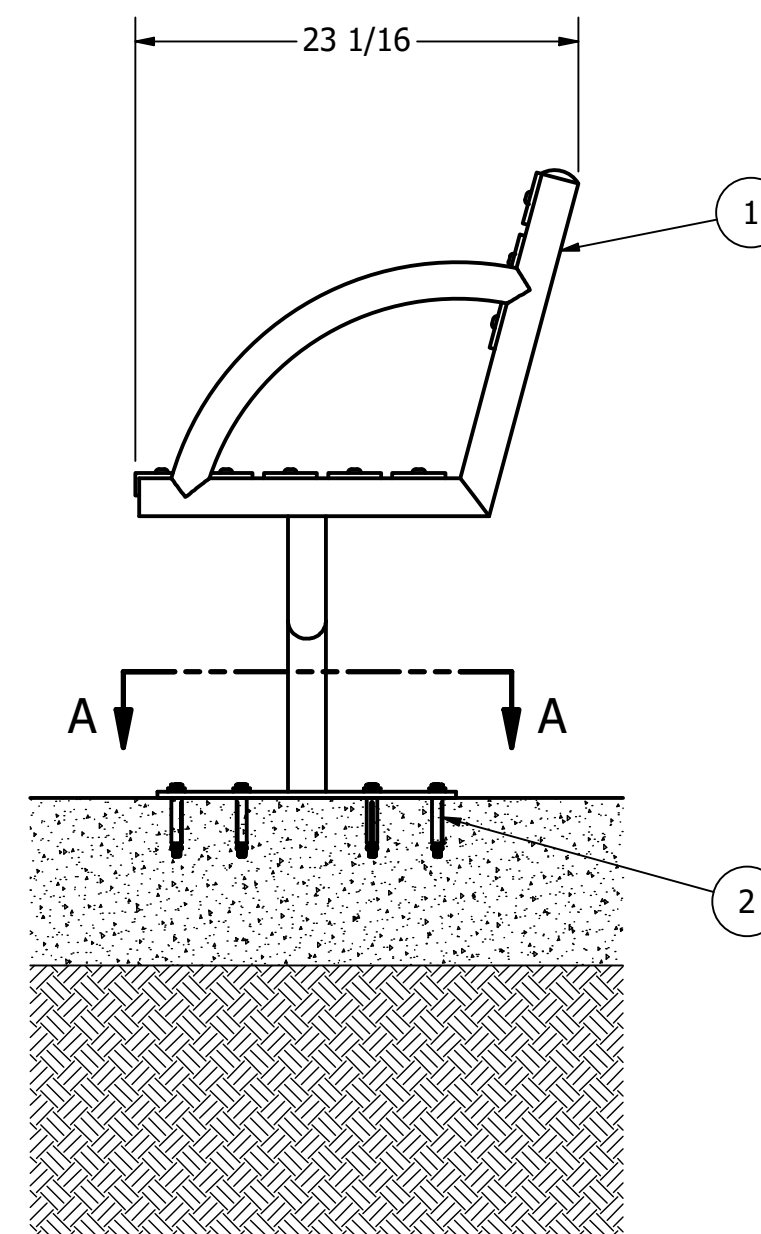
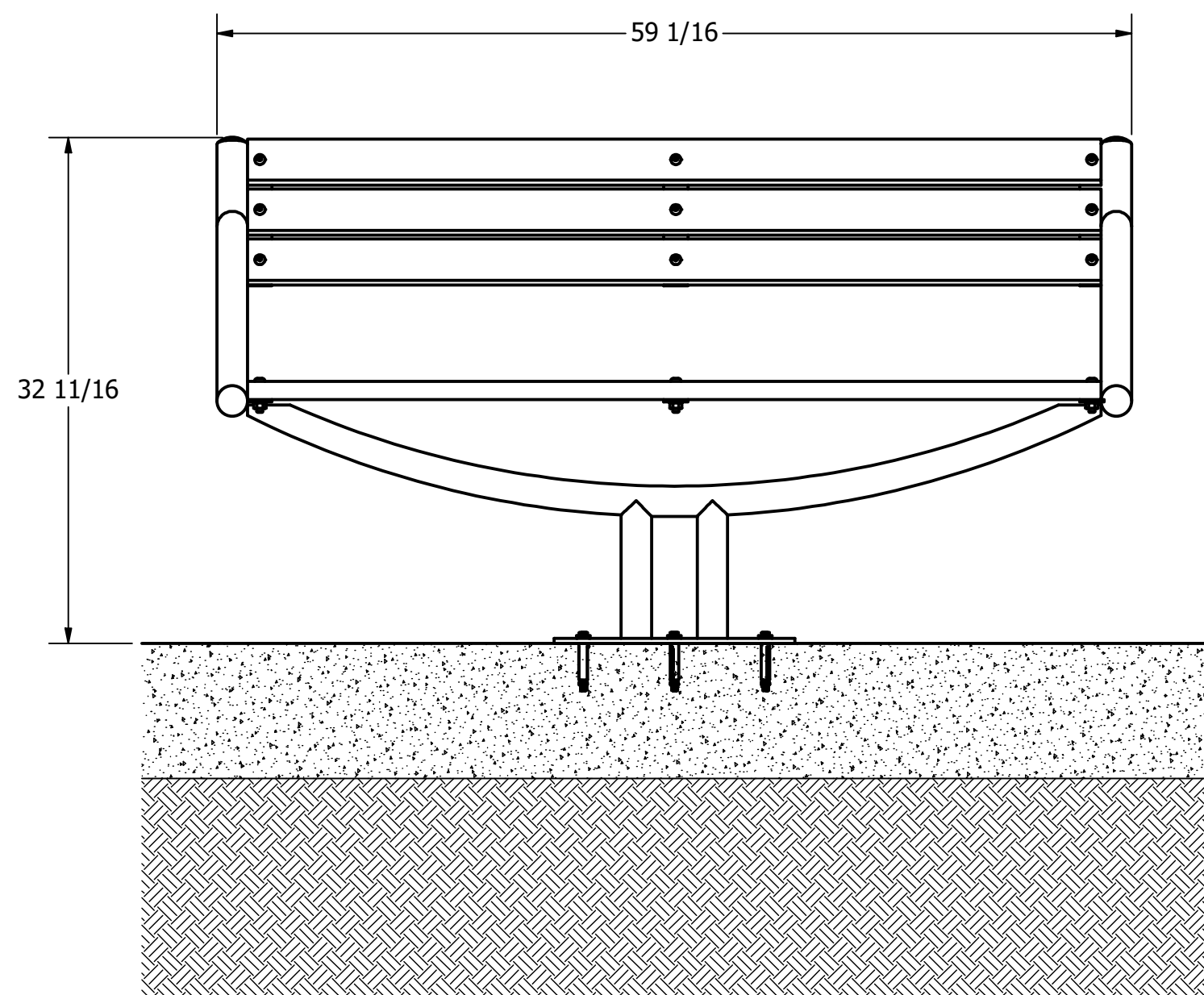
Material: Mild Steel Pipe and Camphor Wood Slats

## Product Options:

- ⊙ With Back
- Backless
- See Product R-5506-BL Marietta Bench Backless

## Finish Options:

- ⊙ Polyester Powdercoated



### Notes:

1. Embedment details are for reference illustration only. Minimum foundation sizes depend on local soil and weather conditions as well as engineering requirements.
2. This drawing is not drawn to scale. Dimensions provided herein are for reference only. Please consult Reliance Foundry sales professionals if any dimension is critical to your particular installation.
3. Reliance Foundry reserves the right to amend design and specifications without prior notice for product improvement.

### PARTS LIST

| ITEM | QTY | PART NUMBER | DESCRIPTION               |
|------|-----|-------------|---------------------------|
| 1    | 1   | R5506       | Marietta Bench            |
| 2    | 6   |             | M8 x 80mm Expansion Screw |

COPYRIGHT RESERVED THIS PLAN DRAWING AND DESIGN ARE, AND AT ALL TIMES REMAIN, THE EXCLUSIVE PROPERTY OF RELIANCE FOUNDRY CO. LTD.

**RELIANCE FOUNDRY**  
SINCE 1925

Unit 207, 6450 - 148 Street, Surrey, BC V3S 7G7, Canada  
1-877-789-3245 info@reliance-foundry.com  
[www.reliance-foundry.com](http://www.reliance-foundry.com)

TITLE

**Marietta Bench R-5506**

SIZE  
C

DWG NO  
R5506\_public

REV  
A05

NOT TO SCALE

SHEET 1 OF 1