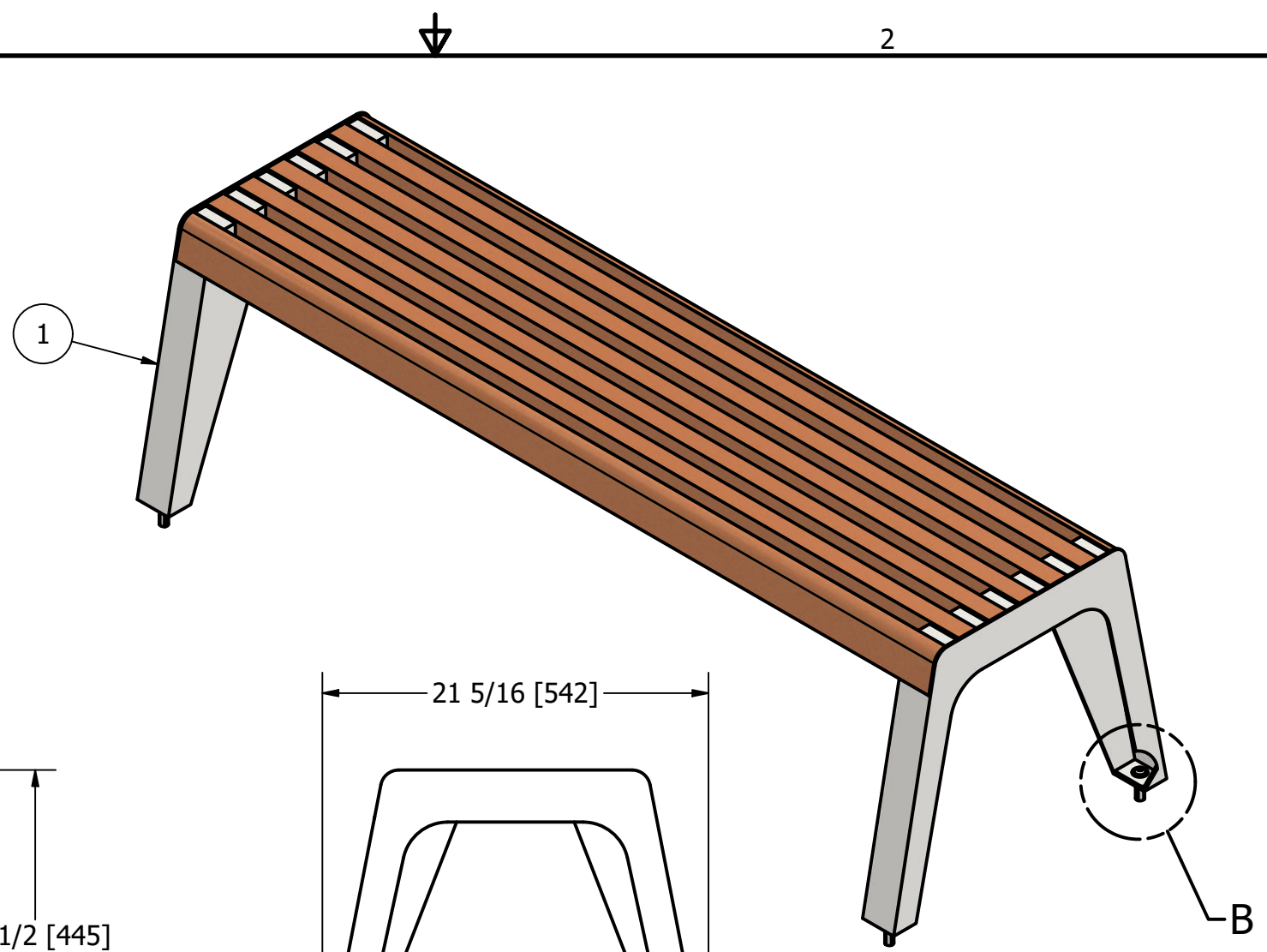


R-5501 Cincinnati Bench



General Description:

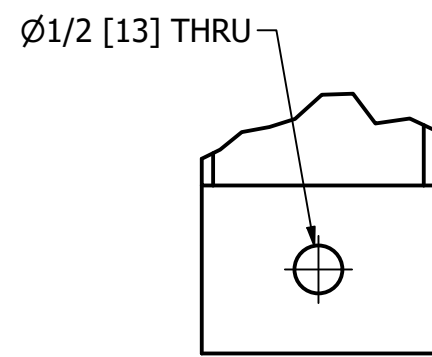
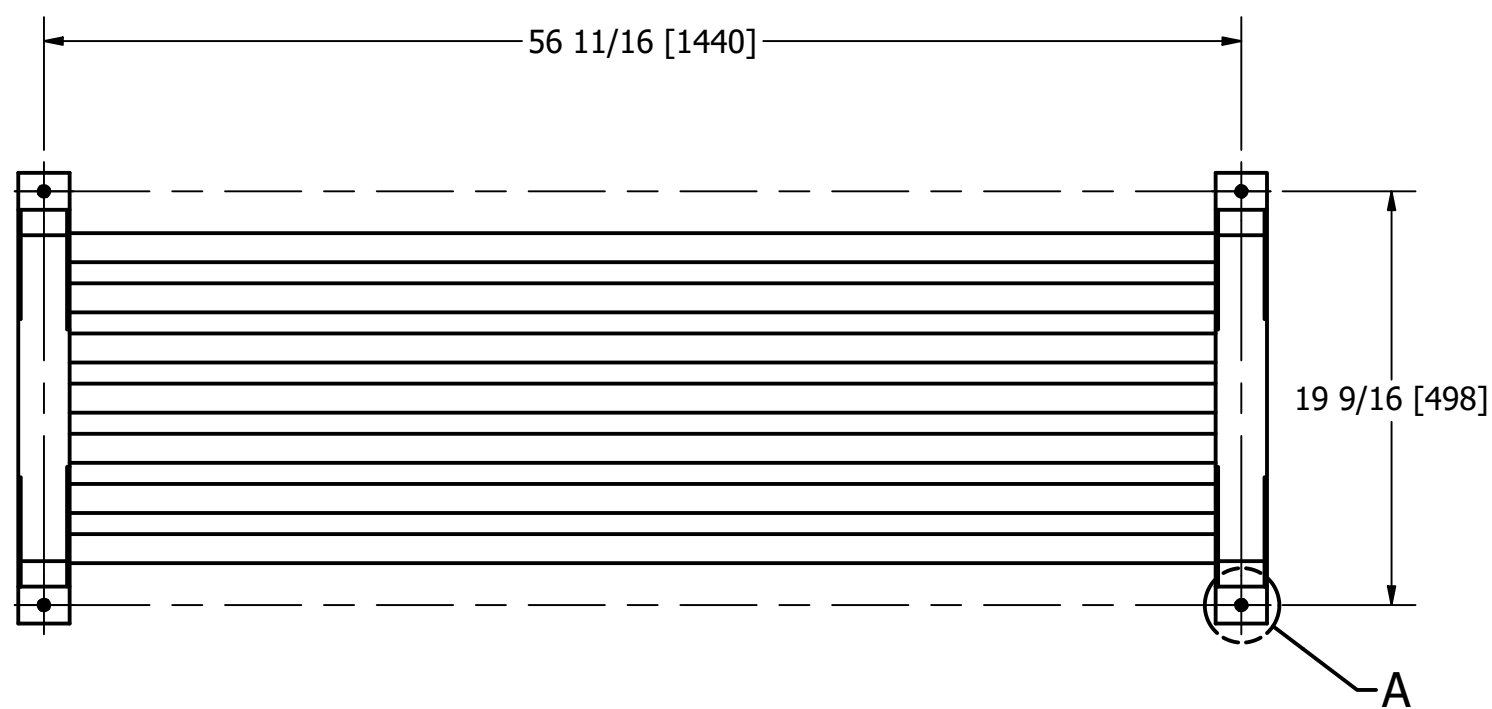
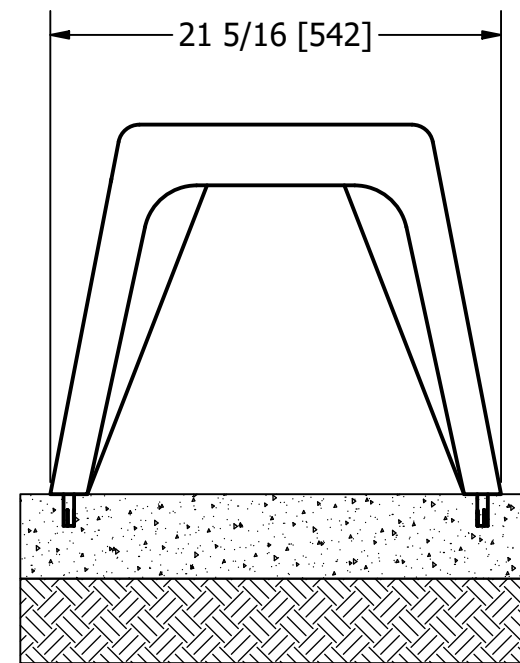
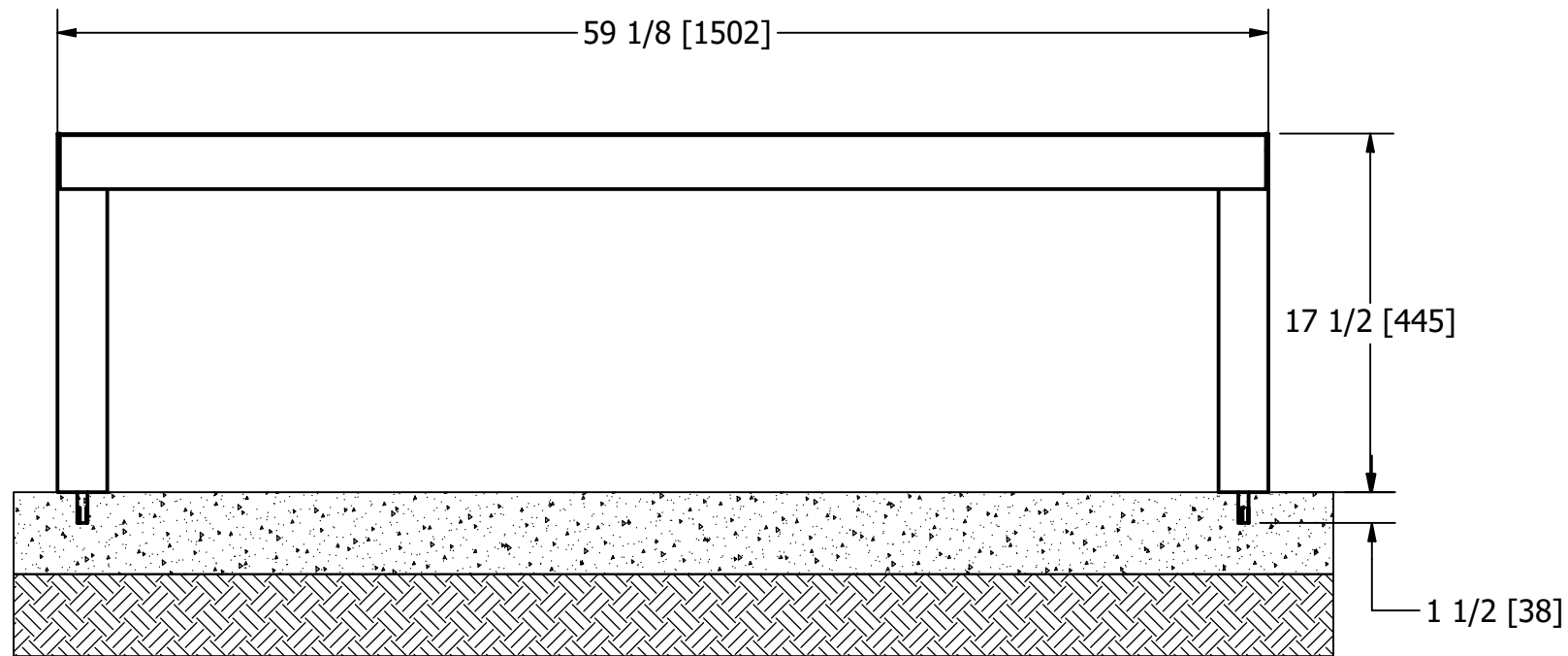
The R-5501 Cincinnati bench is ADA-compliant and features solid balau wood slats with a powder-coated steel frame. Its backless design allows for use in either direction. Suitable for outdoor or indoor use, it resists weather, water, and rust. Available in bolt-down or freestanding options.

Specifications:

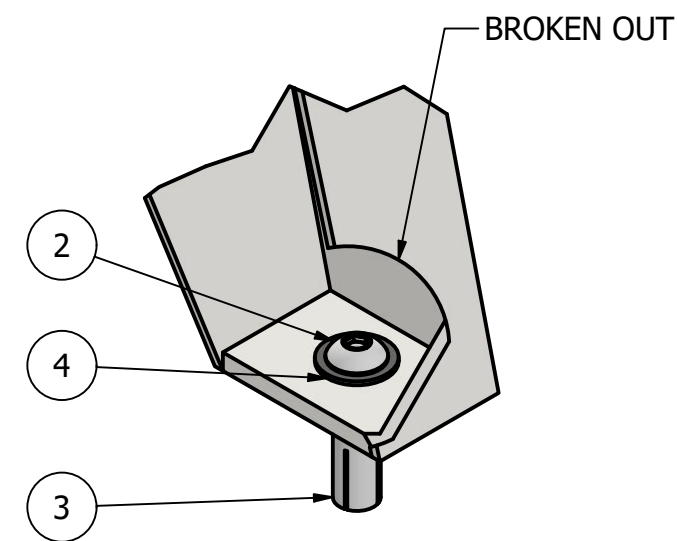
Height : 17 1/2" [445 mm]
 Width : 21 5/16" [542 mm]
 Weight : 75 lbs [34 kg]
 Material : Steel, Wood

Finish

Traffic white powder coat / Mahogany wood stain



DETAIL A
4 PLACES



DETAIL B

Notes:

1. Embedment details are for reference illustration only. Minimum foundation sizes depend on local soil and weather conditions, and engineering requirements.
2. This drawing is not drawn to scale. Dimensions provided herein is for reference only. Please consult Reliance Foundry sales professionals if any dimension is critical to your particular installation.
3. Reliance Foundry reserves the right to amend design and specifications without prior notice for product improvement.

PARTS LIST					
ITEM	QTY	PART NUMBER	DESCRIPTION	MATERIAL	
1	1	R5501-001	BENCH R5501	Steel, Wood	
2	4	3 8-16 UNC_SS - 1	3/8" - 16 UNC, 1" Long, SS Button Head Screw - requires 7/32" Hex Key	Stainless Steel	
3	4	Drop-in Concrete Insert 3/8"	Drop-in Concrete Insert 3/8" - requires 1/2" x 1 1/2" hole (dia. x depth)	Stainless Steel	
4	4	Stainless Steel Washer 3/8"	Stainless Steel Washer 3/8" OD 7/8" Thick .05"	Stainless Steel	



Unit 207, 6450 - 148 Street, Surrey, BC V3S 7G7, Canada
 1-877-789-3245 info@reliance-foundry.com
 www.reliance-foundry.com

TITLE			
R-5501 Cincinnati Bench			
SIZE	DWG NO	REV	
C	R5501_public	A02	