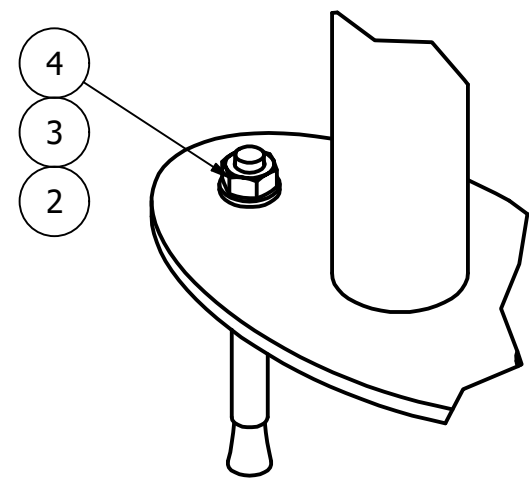
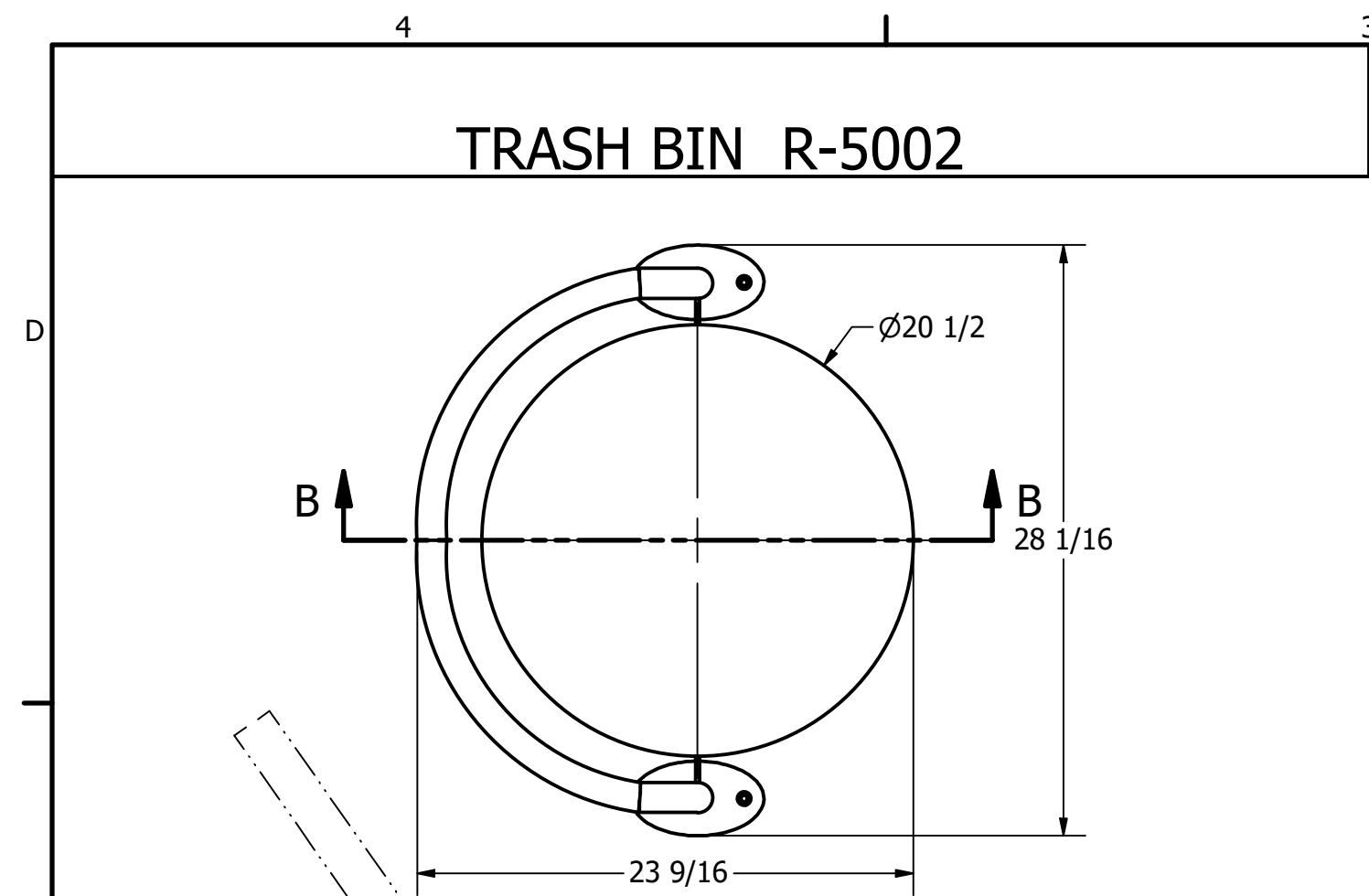
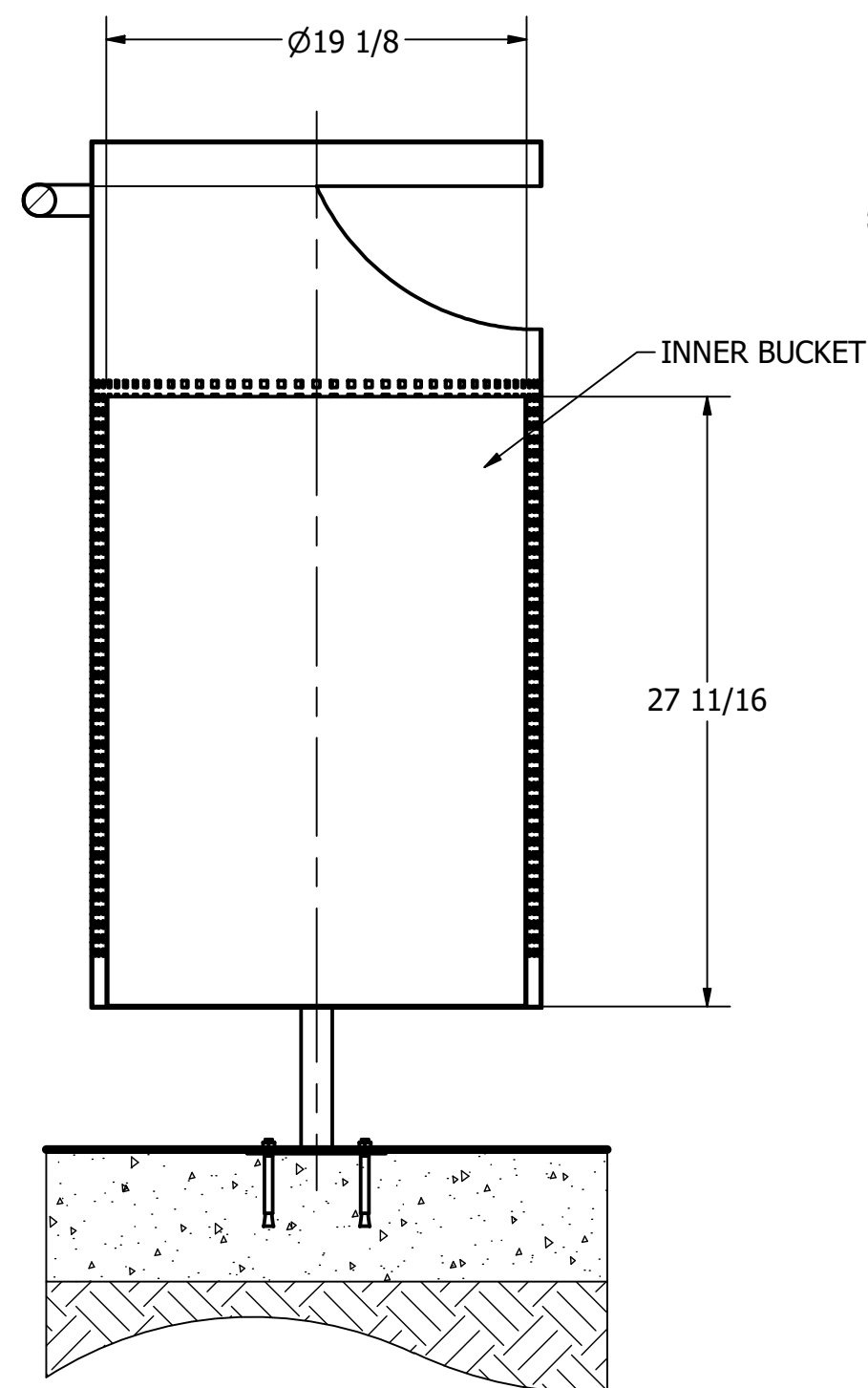
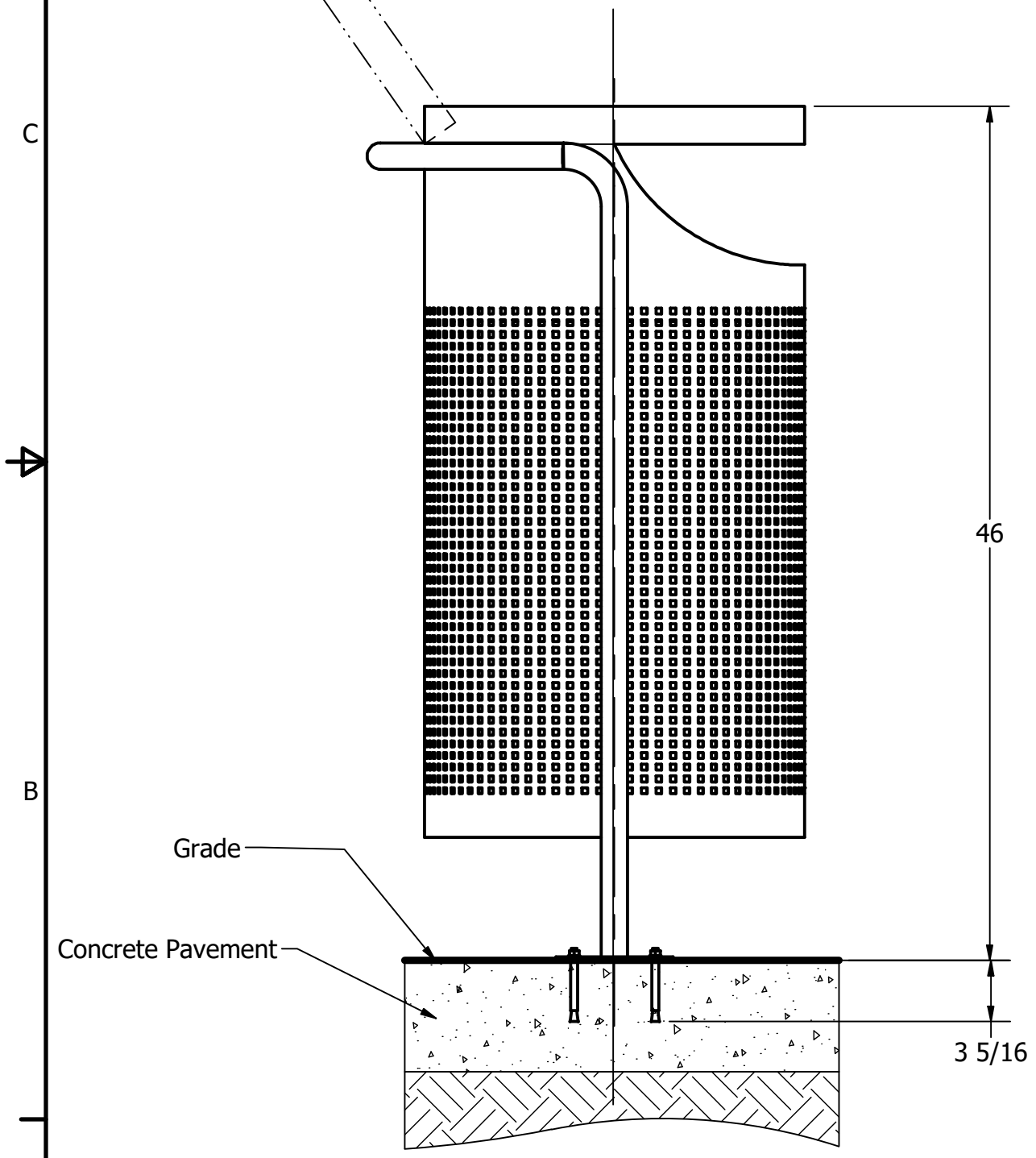
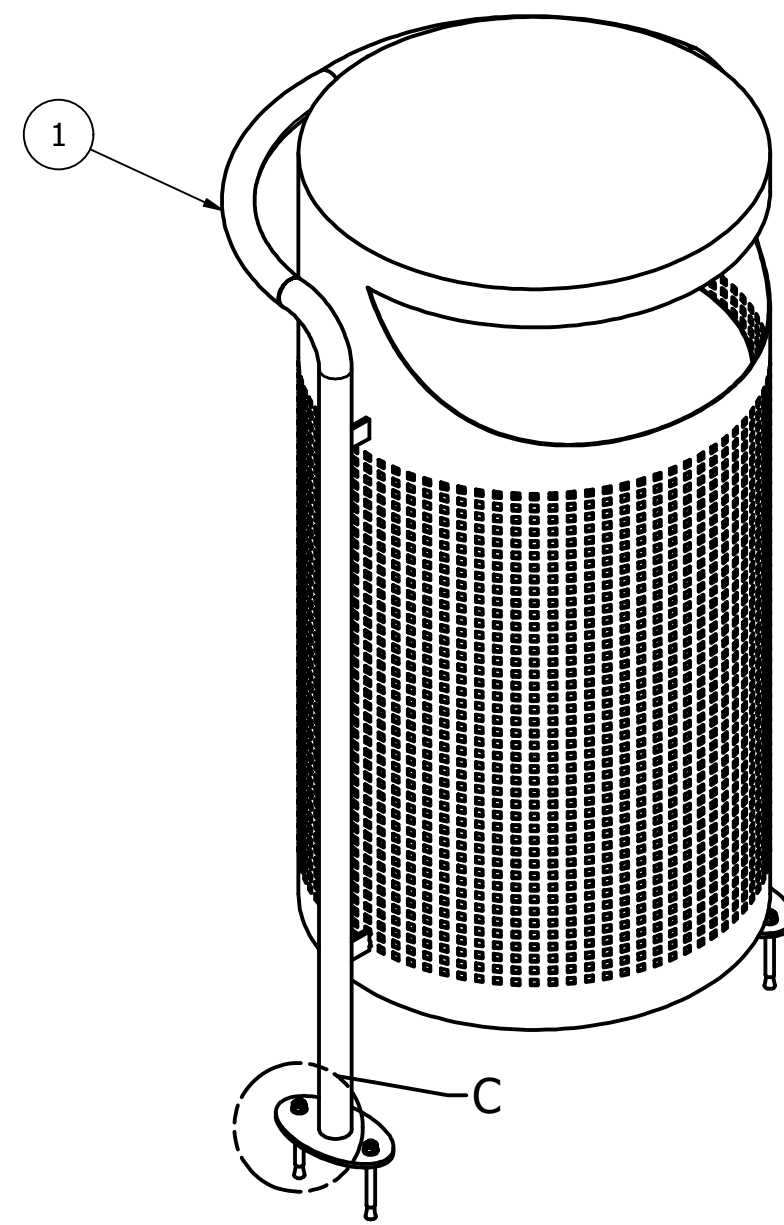


TRASH BIN R-5002



DETAIL C
SCALE 1 / 2



SECTION B-B
SCALE 0.12 : 1

General Description:

With its sleek, contemporary design, the R-5002 litter receptacle complements any streetscape. Made of 316 stainless steel inside and out, it features a top open lid with an internal receptacle, which makes removing garbage an easy task. The R-5002 trash receptacle can hold 34.4 gallons of waste and can be bolted down securely to most concrete surfaces. The R-5002 commercial garbage can is the perfect fit for any mall, park, residential complex, or other outdoor space.

Specifications:

- Height : 46"
- Weight : 105 lbs
- Material : STAINLESS STEEL 316

Finish Options:

- Satin #6 Buffed

Care and Maintenance:

Despite its natural anti-corrosion properties, stainless steel may corrode if cautionary procedures are not followed, or if products are neglected for extended periods of time. High-saline environments or other areas with high exposure to chlorides may increase risk of stainless steel corrosion. Regular cleaning will maintain optimal condition and appearance.

See Reliance Foundry's maintenance guide at:

<https://www.reliance-foundry.com/wp-content/uploads/stainless-steel-care-and-maintenance.pdf>

PARTS LIST				
ITEM	QTY	PART NUMBER	DESCRIPTION	MATERIAL
1	1	R-5002-001	TRASH BIN, OUTDOOR	Stainless Steel, 316
2	4	R5002-003	ANCHOR BOLT, M8 X 40mm	Stainless Steel
3	4	R5002-004	WASHER, M8	Stainless Steel
4	4	R5002-005	HEX NUT, M8	Stainless Steel
5	1	R5002-002	INNER BUCKET	Steel, Zinc plated

Notes:

1. Embedment details are for reference illustration only. Minimum foundation sizes depend on local soil conditions, weather conditions, and engineering requirements.
2. This drawing is not drawn to scale. Dimensions provided herein is for reference only. Please consult Reliance Foundry sales professionals if any dimension is critical to your particular installation.
3. Reliance Foundry reserves the right to amend design and specifications without prior notice for product improvement.



Unit 207, 6450 - 148 Street, Surrey, BC V3S 7G7, Canada
1-877-789-3245 info@reliance-foundry.com
www.reliance-foundry.com

TITLE			
TRASH BIN R-5002			
SIZE	DWG NO	REV	
C	R5002	A01	
NOT TO SCALE	SHEET 1 OF 1		