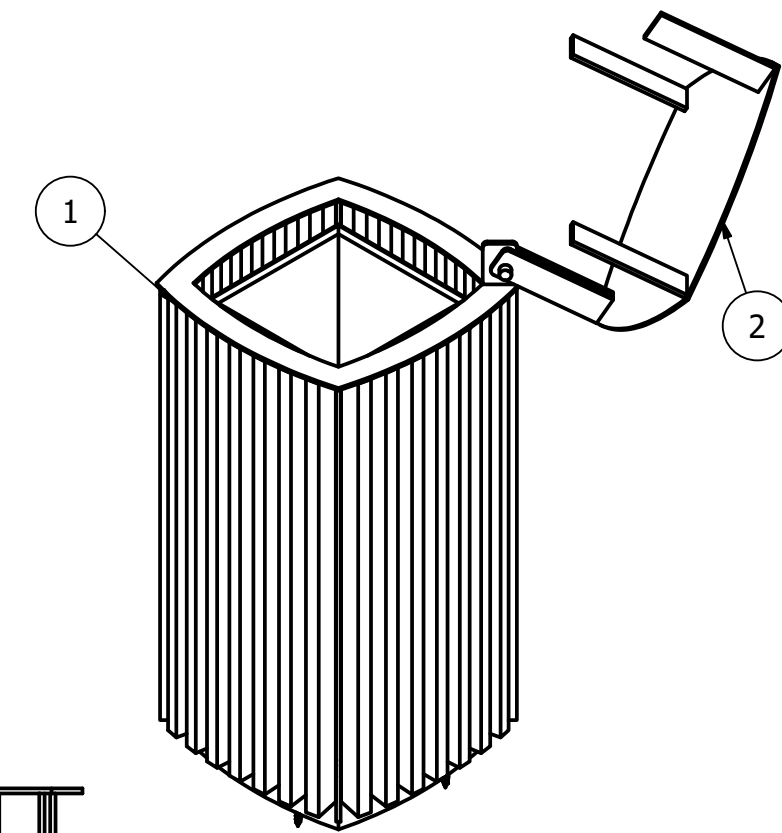
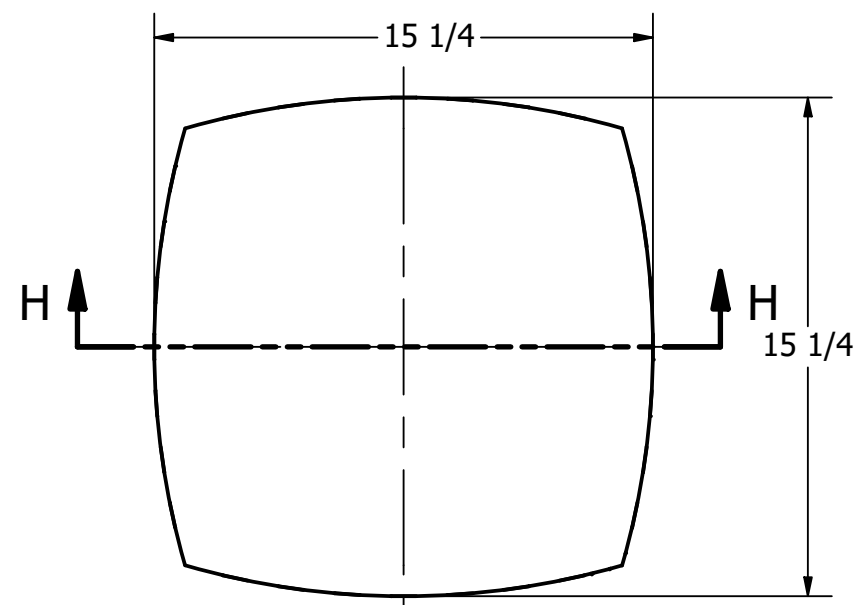


TRASH BIN R-5001



General Description:

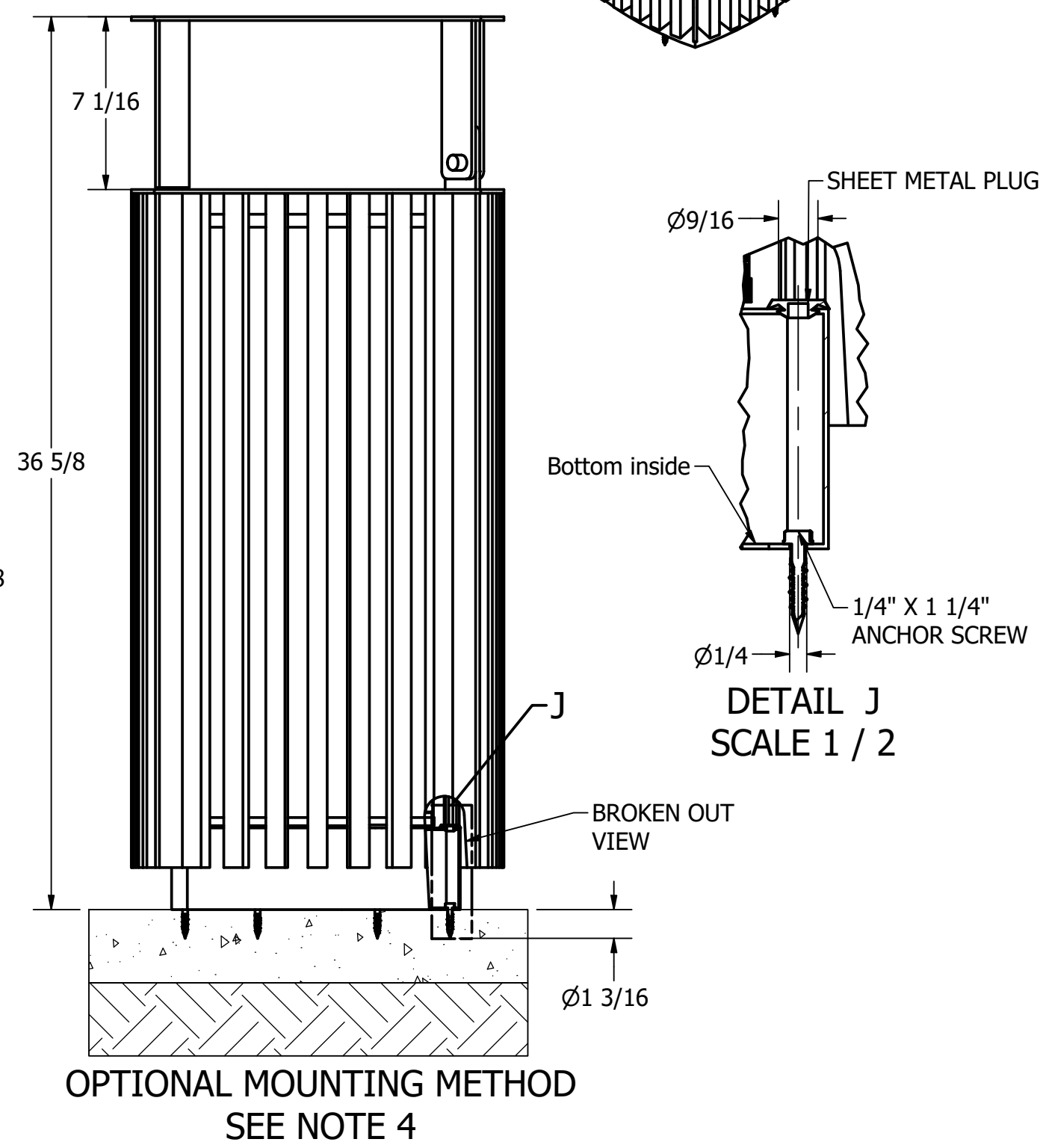
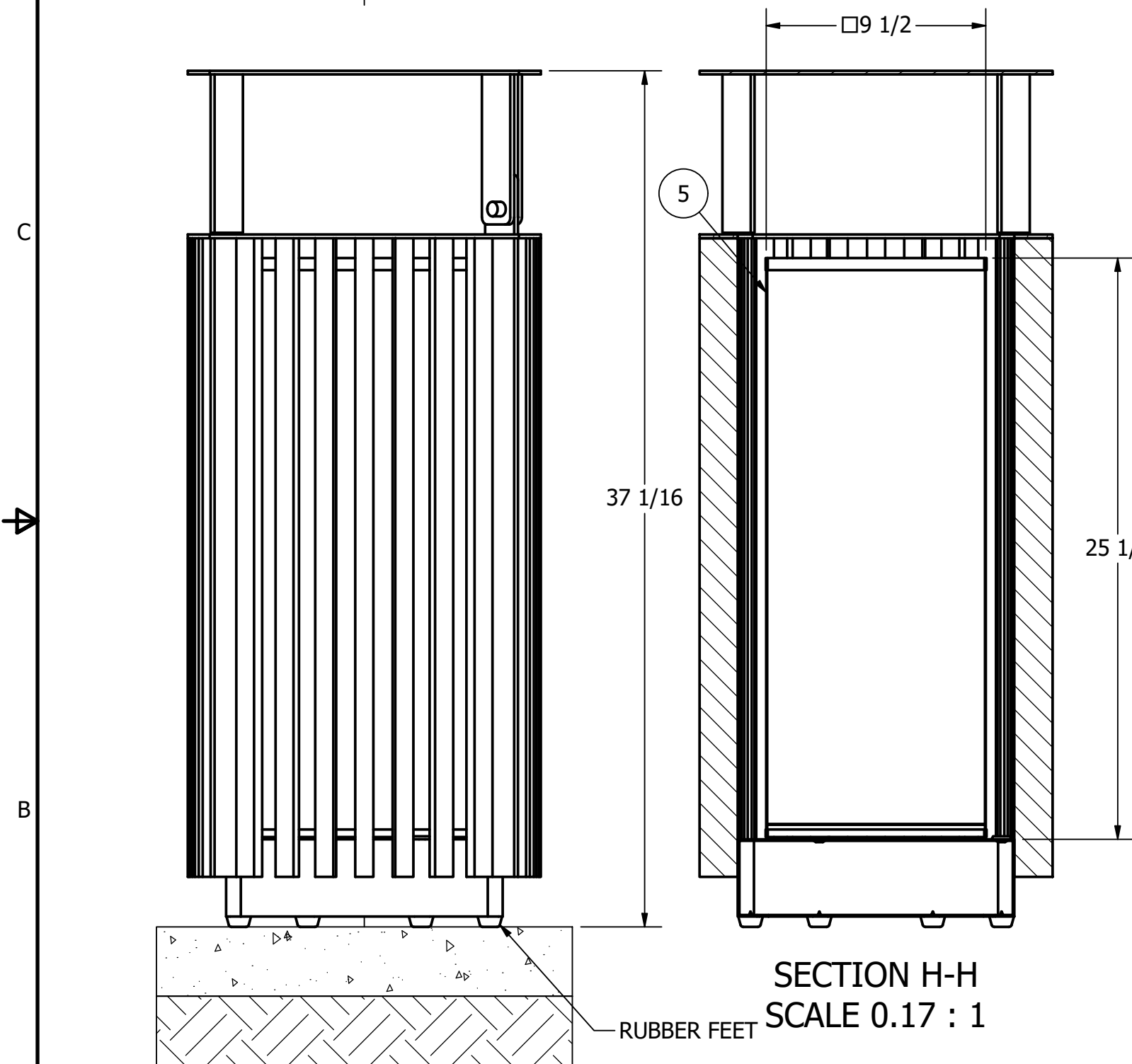
The R-5001 trash bin is ready for use both indoors and outdoors. The litter receptacle features a powder-coated steel frame, holding vertical slats made of coated balau wood, known for its superior strength and durability. The inner cannister can hold 9.8 gallons and is made of cold galvanized steel. The top of the trash receptacle is hinged to the body and can be quickly lifted for easy removal of the inner receptacle.

Specifications:

Height : 36 5/8"
 Weight : 80 lbs
 Material : STEEL, WOOD

Finish

Traffic white powder coat / Mahogany wood stain



Notes:

1. Embedment details are for reference illustration only. Minimum foundation sizes depend on local soil and weather conditions, and engineering requirements.
2. This drawing is not drawn to scale. Dimensions provided herein is for reference only. Please consult Reliance Foundry sales professionals if any dimension is critical to your particular installation.
3. Reliance Foundry reserves the right to amend design and specifications without prior notice for product improvement.
4. Refer to the installation guide for the optional mounting method.

PARTS LIST

ITEM	QTY	PART NUMBER	DESCRIPTION	MATERIAL
1	1	R5001-001	BODY, BIN	WOOD, STEEL
2	1	R5002-002	LID, BIN	Steel
3	8	R5001-003	RUBBER FEET, KIT	Generic
5	1	R5001-004	INNER BUCKET	Steel, Galvanized



Unit 207, 6450 - 148 Street, Surrey, BC V3S 7G7, Canada
 1-877-789-3245 info@reliance-foundry.com
 www.reliance-foundry.com

TITLE			
TRASH BIN R-5001			
SIZE	DWG NO	REV	
C	R5001	A00	
NOT TO SCALE		SHEET 1 OF 1	