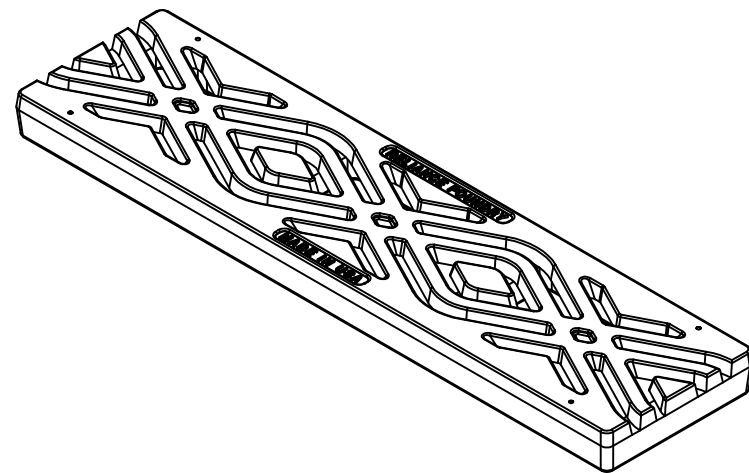
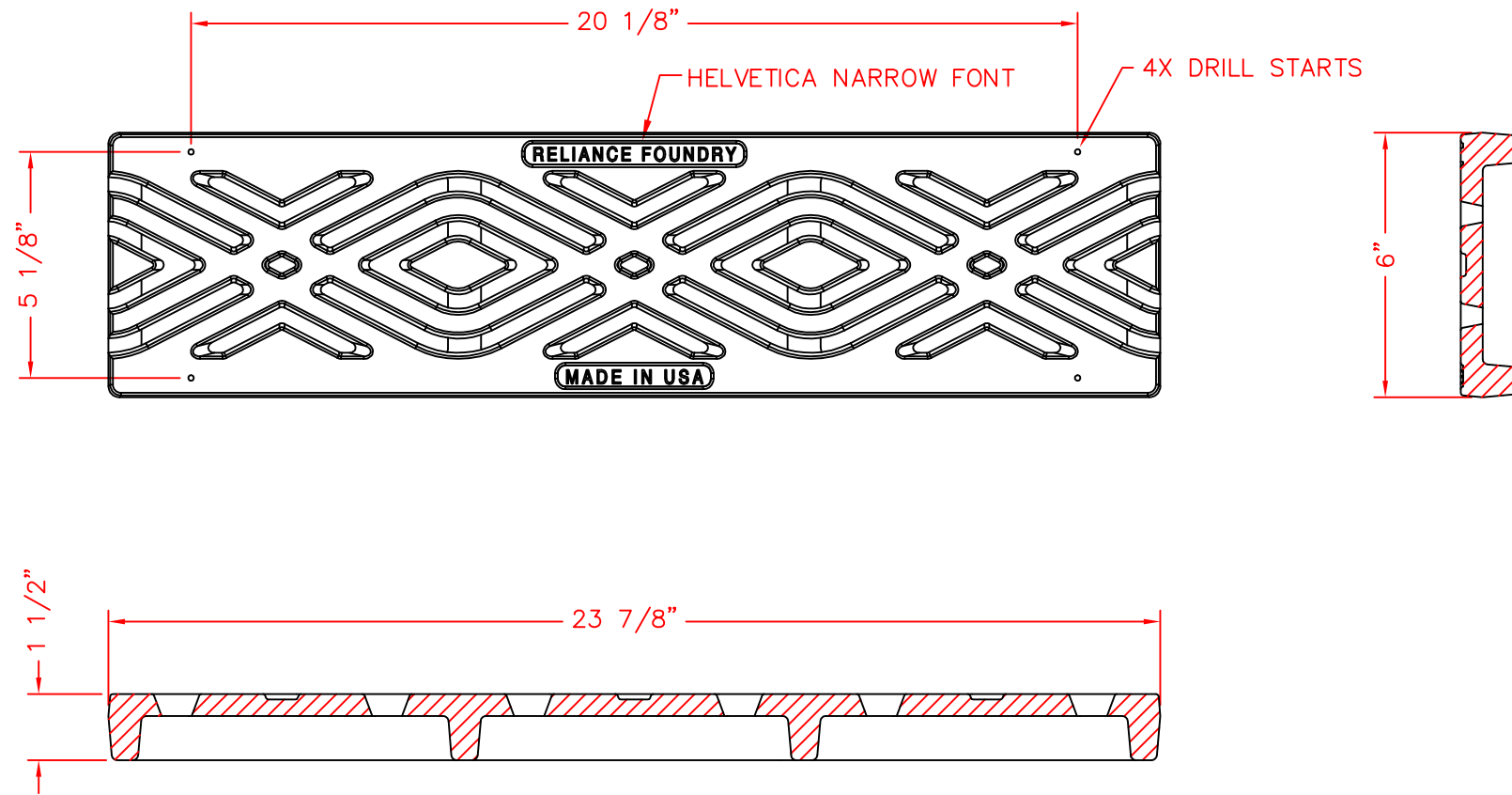


TRENCH GRATE



General Description:
 R-4989 Trench Grate
 Type ' RIVER WALK'

Specifications:
 Length: 24"

Width: 6"

Weight: 25 lbs

Material: Cast Gray Iron
 ASTM A-48, Class 35B

Finish:
 Black

RELiance FOUNDRY
 SINCE 1925

Unit 207, 6450 - 148 Street, Surrey, BC V3S 7G7, Canada
 1-877-789-3245 info@reliance-foundry.com
www.reliance-foundry.com

TITLE

TRENCH GRATE R-4989

SCALE
 1/4"=1"

DWG NO

06453062

REV
 0