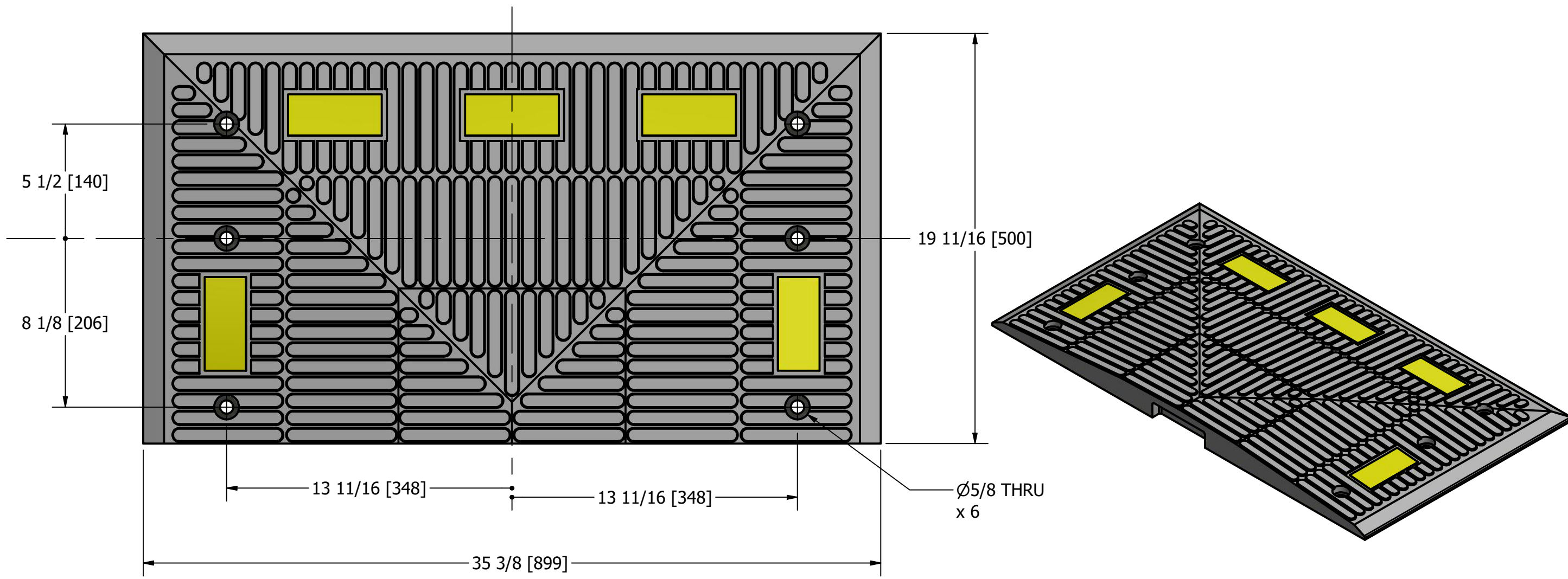


# Speed Hump End (Female) R-2026-E-F



## General Description:

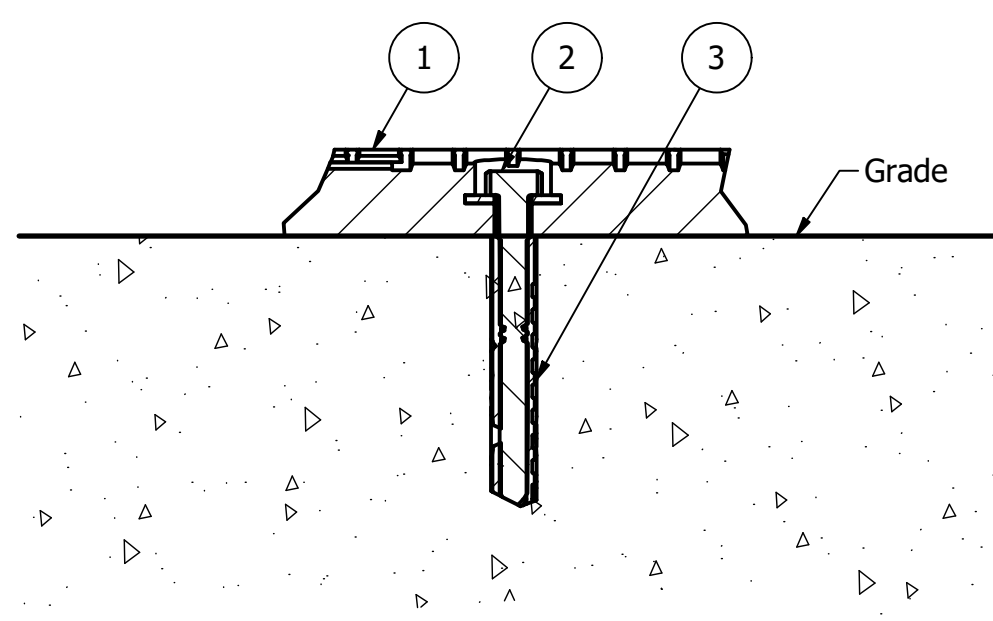
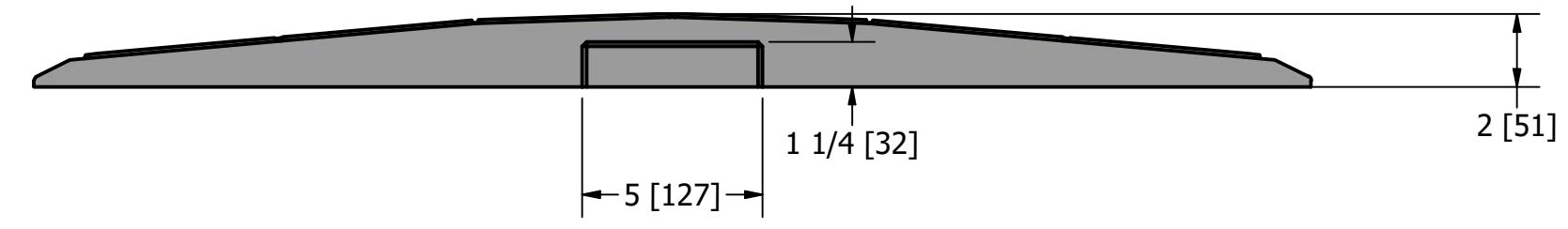
Speed humps are used to slow vehicles to about 15 mph--encouraging safer, more responsible driving while maintaining efficient flow. Made from 100-percent recycled rubber, they feature reflective yellow markings for optimal visibility in all weather and lighting conditions. Rubber is highly durable, form-fitting and won't crack, chip or peel with extended use--even under heavy commercial and industrial use. Speed humps feature simple bolt-down or rebar spike installation and require minimal labor and equipment to install. Assemblies feature internal channeling to accommodate cables and/or drainage. Customize the length of each speed hump by interlocking any number of assembly panels. Finish your assembly with tapered end caps.

## Specifications:

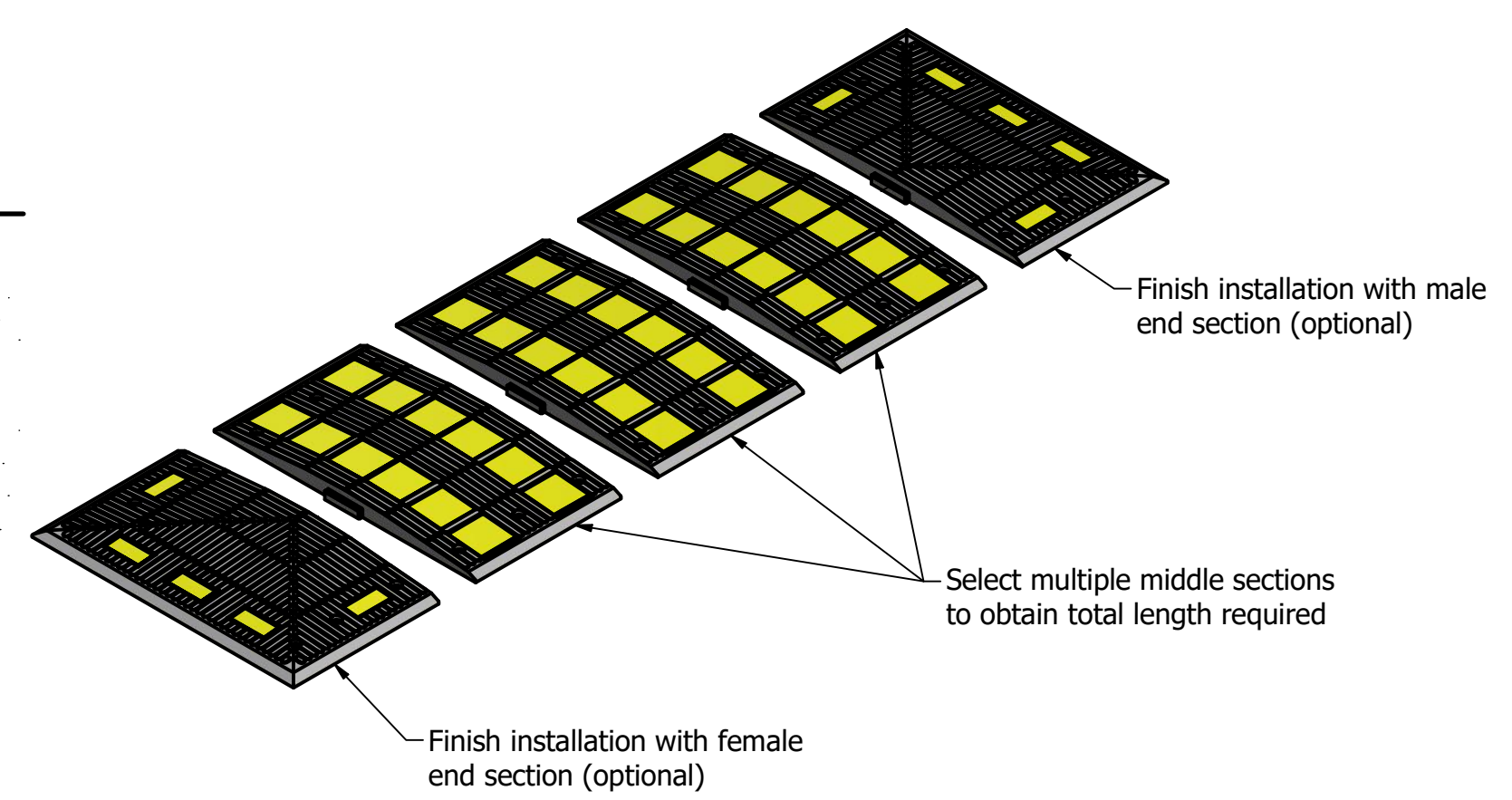
- Length: 19-11/16"
- Width: 35-3/8"
- Height: 2"
- Weight: 32 lbs
- Material: Recycled Rubber Composite

## Color Selections:

- ☉ Yellow Stripe on Black: R-2026-E-F-YEL-BLK



Installation Example  
w/ Lag Bolt and Lag Shield



PARTS LIST					
ITEM	QTY	PART NUMBER	DESCRIPTION	MATERIAL	WEIGHT
1	1	R2026EF	R2026EF Rubber Speed Hump End (Female)	Compression Molded Recycled Rubber Composite	32 lbs
2	6	Hex Lag Bolt 1/2" x 4"	Hex Lag Bolt 1/2" x 4" - requires 3/4" wrench (socket)	Steel HDG	1/4 lbs
3	6	Lag Bolt Shield 1/2" x 3 3/8"	Lag Bolt Shield 1/2" x 3 3/8" - requires 5/8" x 3 1/2" hole (dia. x depth)	Nylon	

**RELIANCE FOUNDRY**  
SINCE 1925

Unit 207, 6450 - 148 Street, Surrey, BC V3S 7G7, Canada  
1-877-789-3245 info@reliance-foundry.com  
www.reliance-foundry.com

TITLE: **Speed Hump End (Female) R-2026-E-F**

SIZE <b>C</b>	DWG NO <b>R2026EF</b>	REV <b>C3</b>
------------------	--------------------------	------------------

NOT TO SCALE SHEET 1 OF 1