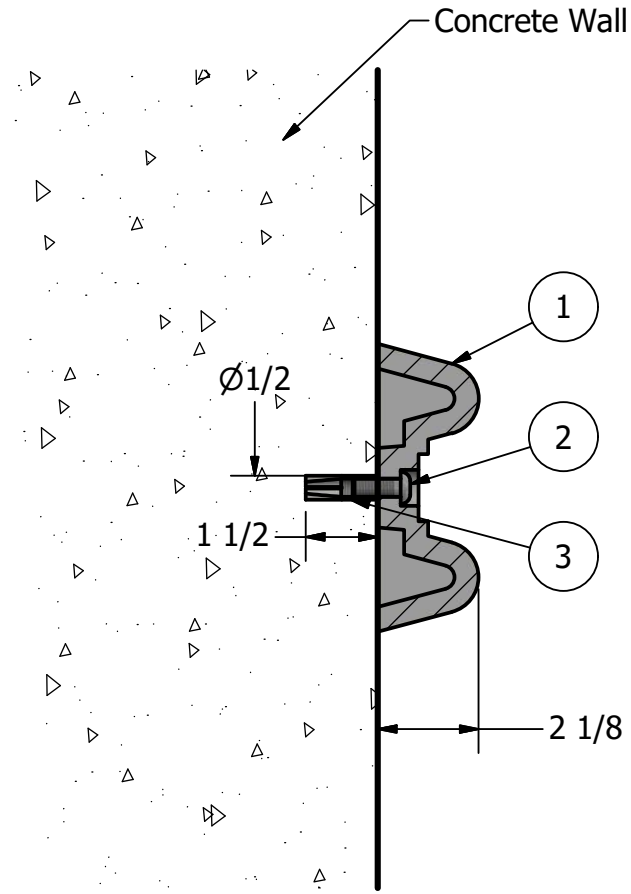
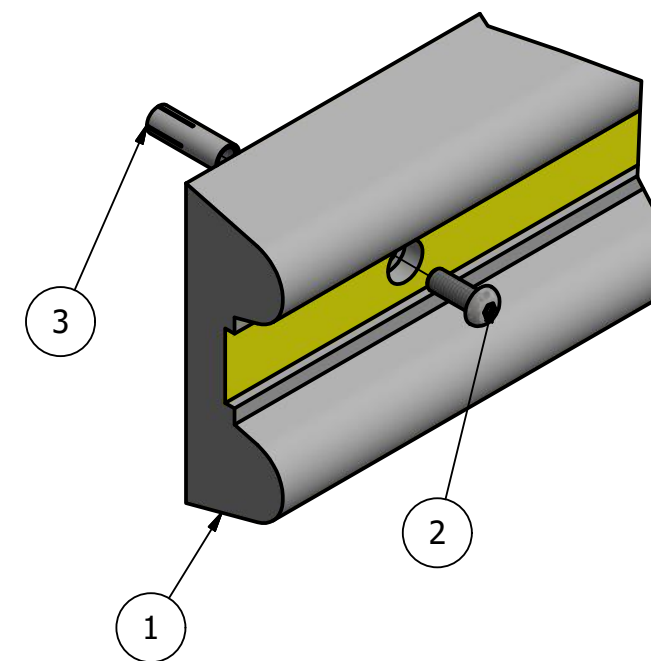
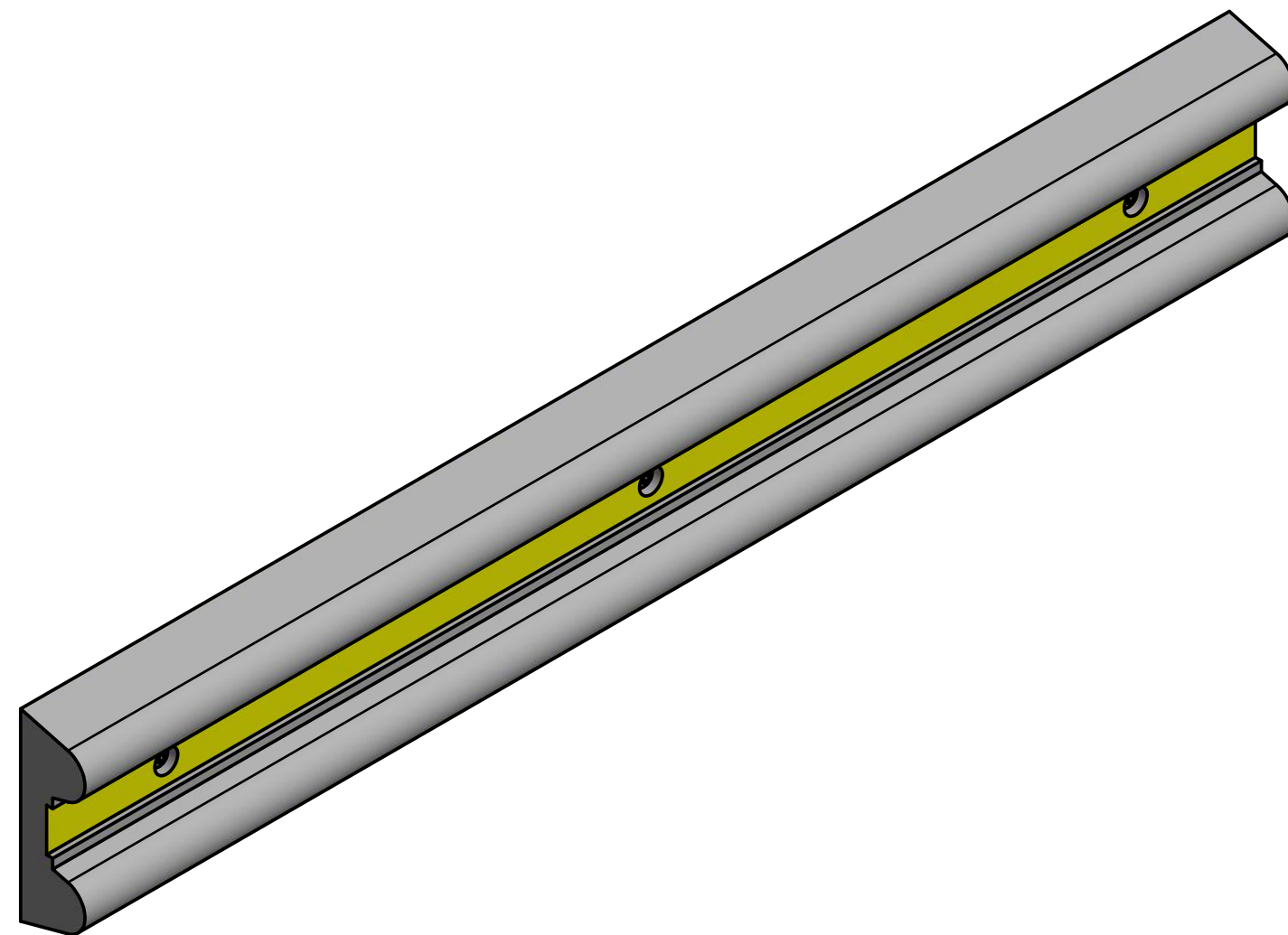
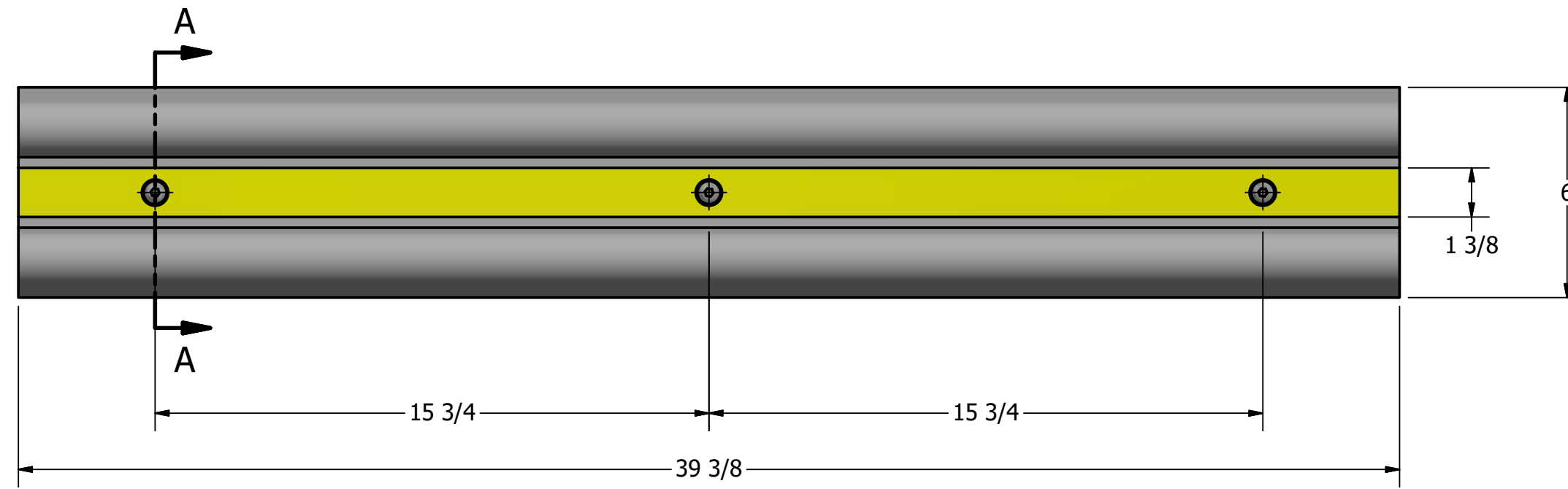


Wall Guard R-2013



SECTION A-A



General Description:

Wall guards protect vehicles and buildings. They are space-efficient and ideal for busy or cramped environments such as enclosed parking lots, warehouses, commercial loading docks and various industrial applications. Wall guards feature reflective yellow markings for optimal visibility in all lighting conditions. Rubber is highly durable, form-fitting and won't crack, chip or peel with extended use—even in heavy commercial and industrial environments. Wall guards feature simple bolt-on, surface-mount installation and require minimal labor and equipment to install.

Specifications:

Length: 39 3/8"

Width: 6"

Thickness: 2 1/8"

Weight: 12 lbs

Material: Recycled Rubber Composite

Color Selections:

☉ Yellow Stripe on Black: R-2013-YEL-BLK

PARTS LIST						
ITEM	QTY	PART NUMBER	DESCRIPTION	MATERIAL	WEIGHT	
1	1	R-2013 Wall Guard	R-2013 Wall Guard	Recycled Rubber Composite	12 lbs	
2	3	Button Head Bolt 3/8" x 1"	Hexagon Socket Button Head Cap Bolt 3/8" x 1" - requires 7/32" hex key	Stainless Steel		
3	3	Drop-in Concrete Insert 3/8"	Drop-in Concrete Insert 3/8" - requires 1/2" x 1 1/2" hole (dia. x depth)	Steel Plated		

RELIANCE FOUNDRY
SINCE 1925

Unit 207, 6450 - 148 Street, Surrey, BC V3S 7G7, Canada
1-888-735-5680 info@reliance-foundry.com
www.reliance-foundry.com

TITLE

Wall Guard R-2013

SIZE
C

DWG NO
R2013

REV
C1