

Halvard R-1040-S10 Crash-Rated Bollard



General Description:

Built to prevent small vehicles from purposefully or accidentally intruding into sensitive areas, our Halvard S10 Crash-Rated Bollard is engineered to keep pedestrians and storefronts safe. Engineered in Canada and certified to ASTM F3016-19 S10 P1 in American testing facilities, one of these bollards is enough to stop a 5000-pound vehicle traveling at 10 mph with less than 1 foot of penetration.

These crash-rated bollards ship pre-assembled and are simple to install. 2 pieces of #8 rebar come included with the bollard to be installed inside the bollard pipe, and #4 rebar (not included) is used in the surrounding foundation. Standard primer is used to help seal them against corrosion--or choose to upgrade to a galvanized finish.

For more information on bollard post installation, please visit: www.reliance-foundry.com/bollard/installation-bollards

Specifications:

Total Height: 66" [1676]

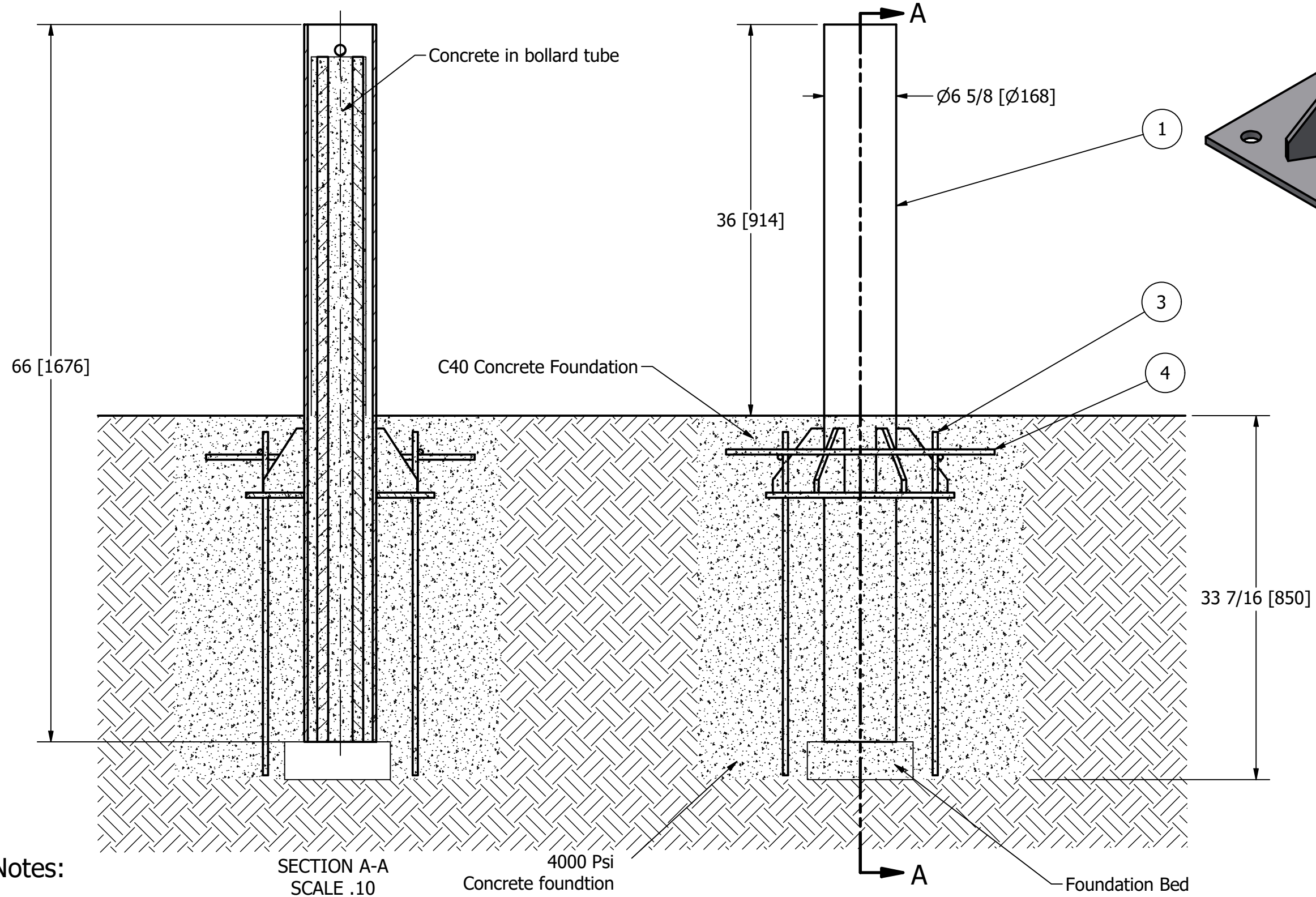
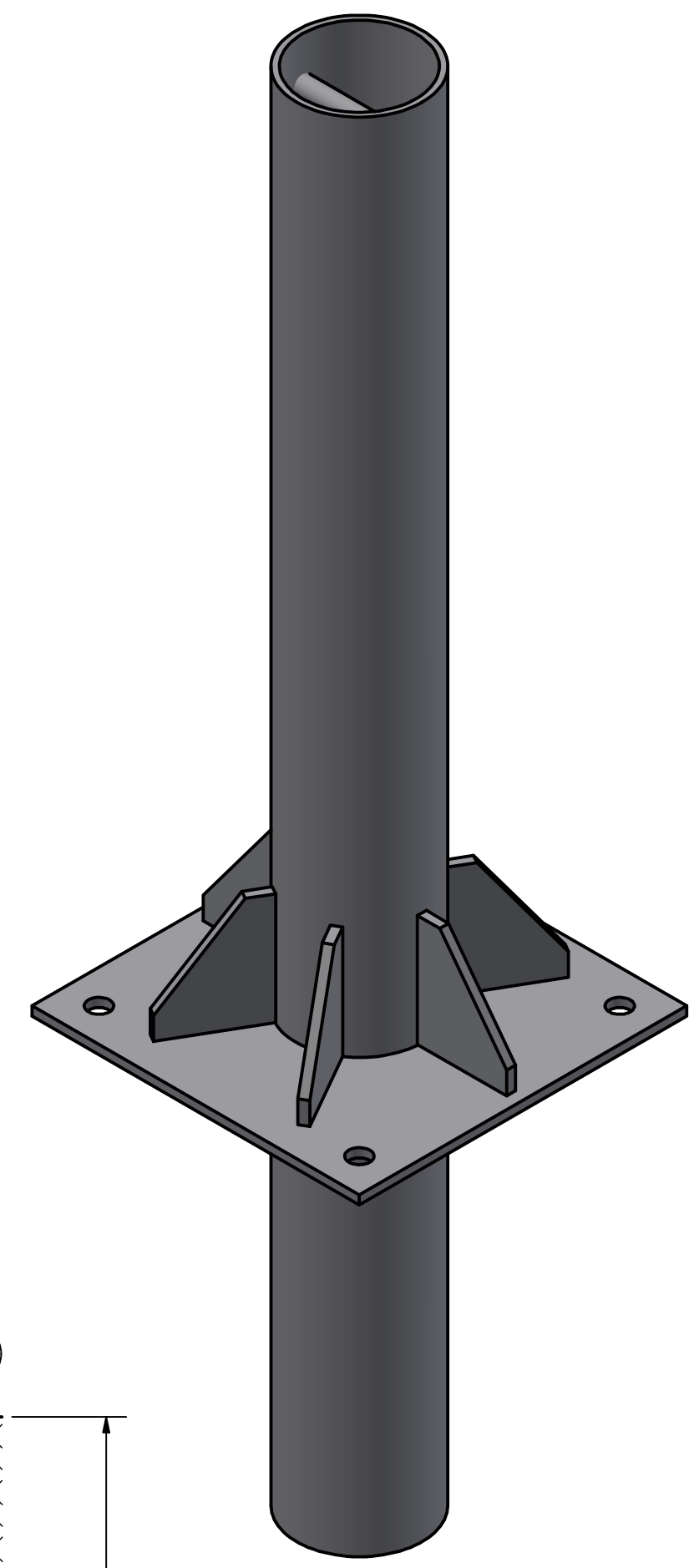
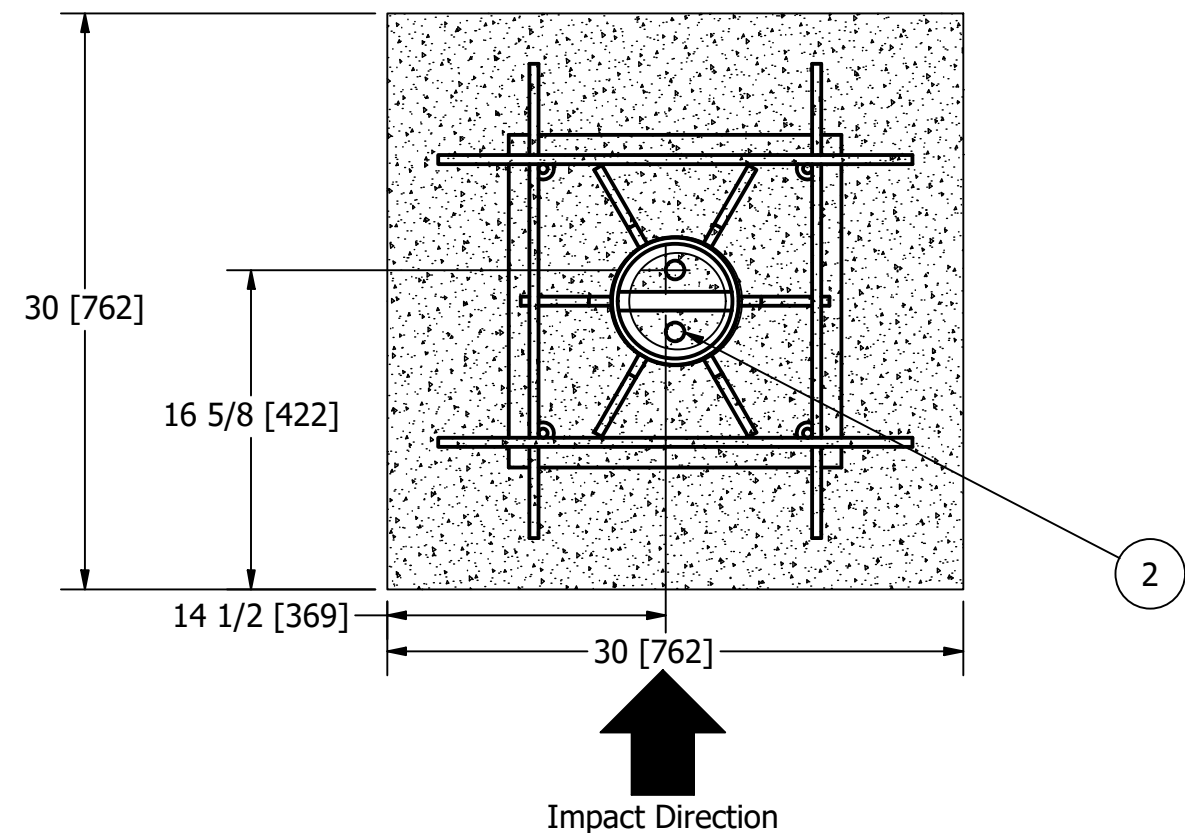
Height above grade: 36" [914]

Height below grade: 33 7/16" [850]

Body Diameter: 6 5/8" [168]

Weight: 175 lbs [79 kg]

Material: Steel



Notes:

- Embedment details are for reference illustration only. Minimum foundation sizes depend on local soil conditions, weather conditions, and engineering requirements.
- Bollard is provided as shown, with parts listed below. Concrete foundation and/or installation not provided by Reliance Foundry.
- This drawing is not drawn to scale. Dimensions provided herein is for reference only. Please consult Reliance Foundry sales professionals if any dimension is critical to your particular installation.
- Reliance Foundry reserves the right to amend design and specifications without prior notice for product improvement.

SECTION A-A
SCALE .10

4000 Psi
Concrete foundation

Foundation Bed

PARTS LIST

ITEM	QTY	PART NUMBER	DESCRIPTION	WEIGHT (lbs)
1	1	R-1040-S10	Halvard R-1040-S10	175
2	2	Rebar Size#8	Rebar Size#8 - 64" Length (Included with bollard)	6.5
3	4	Rebar Size#4	Rebar Size#4 - 32" Length (Not Included)	0.8
4	4	Rebar Size#4	Rebar Size#4 - 14" Length (Not Included)	0.4

RELIANCE FOUNDRY
— SINCE 1925 —

Unit 207, 6450 - 148 Street, Surrey, BC V3S 7G7, Canada
1-877-789-3245 info@reliance-foundry.com
www.reliance-foundry.com

TITLE
Halvard R-1040-S10 Crash-Rated Bollard

SIZE C	DWG NO R1040-S10_public	REV A05
------------------	-----------------------------------	-------------------