

Halvard R-1040-C40-R Crash Rated Bollard



General Description:

Reliance Foundry's Halvard C40-R Removable Crash-Rated Bollard is designed to keep pedestrians and property safe in the case of a collision. Halvard bollards are proudly engineered in Canada and certified in American testing facilities to meet the ASTM F2656-20 SC40 P1 standard; a single bollard is capable of stopping a 2,430-pound vehicle traveling at 40 mph with less than 3.3 feet of penetration.

The Halvard C40-R is removable to provide vehicle access when needed. To remove the bollard, insert a lifting handle through the top, and lift the bollard out of the receiver using a forklift or other equipment.

For more information on bollard post installation, please visit: www.reliance-foundry.com/bollard/installation-bollards

Specifications:

Total Height: 66" [1676]

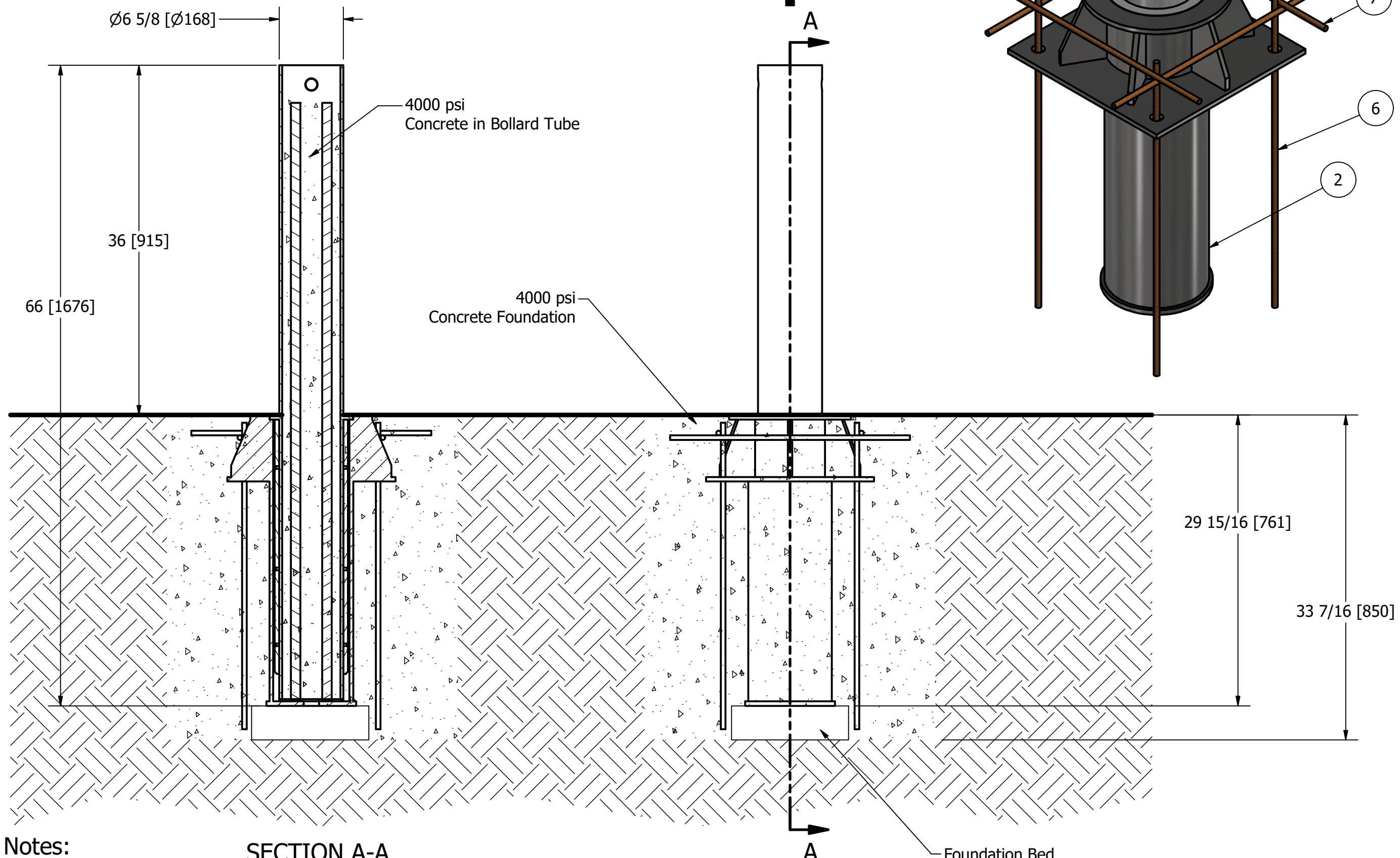
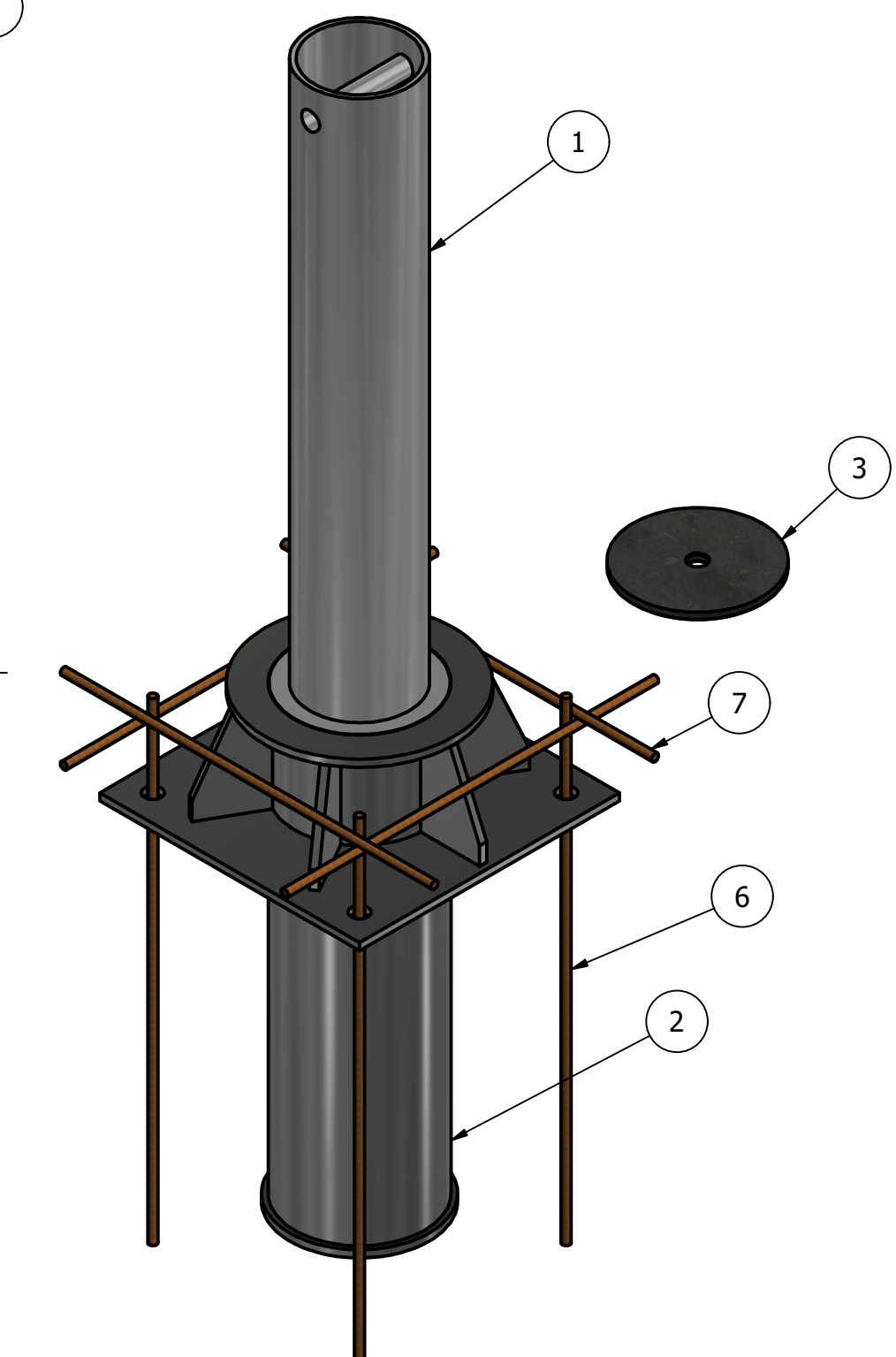
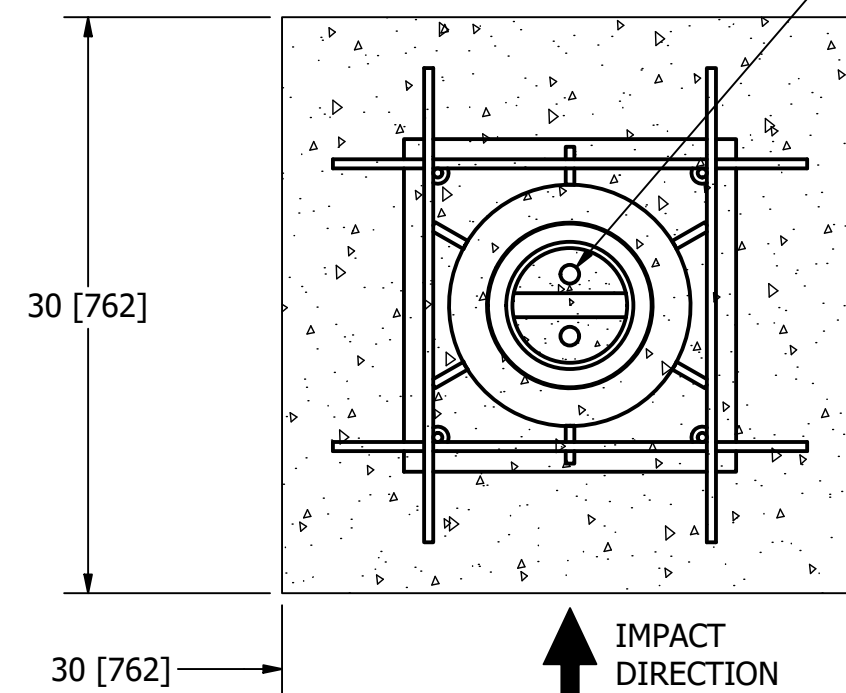
Height above grade: 36" [915]

Height below grade: 29 15/16" [761]

Body Diameter: 6 5/8" [168]

Bollard Weight: 146 lbs [66 kg]

Material: Steel



Notes:

SECTION A-A

- Embedment details are for reference illustration only. Minimum foundation sizes depend on local soil conditions, weather conditions, and engineering requirements.
- Bollard is provided as shown, with parts listed below. Concrete foundation and/or installation not provided by Reliance Foundry.
- This drawing is not drawn to scale. Dimensions provided herein is for reference only. Please consult Reliance Foundry sales professionals if any dimension is critical to your particular installation.
- Reliance Foundry reserves the right to amend design and specifications without prior notice for product improvement.

PARTS LIST

ITEM	QTY	PART NUMBER	DESCRIPTION	WEIGHT (lbs)
1	1	R-1040-C40-R	Halvard R-1040-R	146
2	1	R-1040-C40-R-Rec	Halvard R-1040-R - Receiver	119
3	1	R-1040-C40-R-C	Halvard R-1040-R - Cover (optional)	7.6
4	2	Rebar Size#8	Rebar Size#8 - 64" Length (Included with Bollard)	6.5
5	4	Rebar Size#4	Rebar Size#4 - 32" Length (Not Included)	0.8
6	4	Rebar Size#4	Rebar Size#4 - 25" Length (Not Included)	0.6

RELIANCE FOUNDRY
SINCE 1925

Unit 207, 6450 - 148 Street, Surrey, BC V3S 7G7, Canada
1-877-789-3245 info@reliance-foundry.com
www.reliance-foundry.com

TITLE
Halvard R-1040-C40-R Crash Rated Bollard

SIZE C DWG NO R-1040-C40-R_public REV A04

NOT TO SCALE UNLESS OTHERWISE SPECIFIED: DIMS ARE IN INCHES [MILLIMETERS] SHEET VER. R1 SHEET 1 OF 1