

Halvard R-1030-M30-SM Crash Rated Bollard



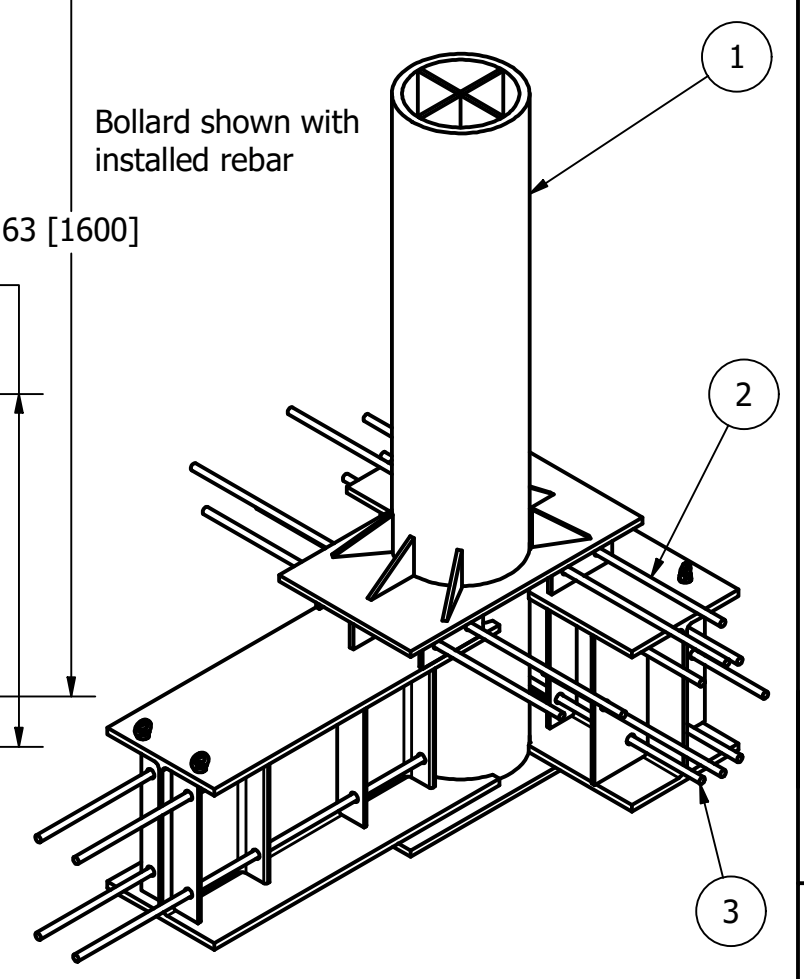
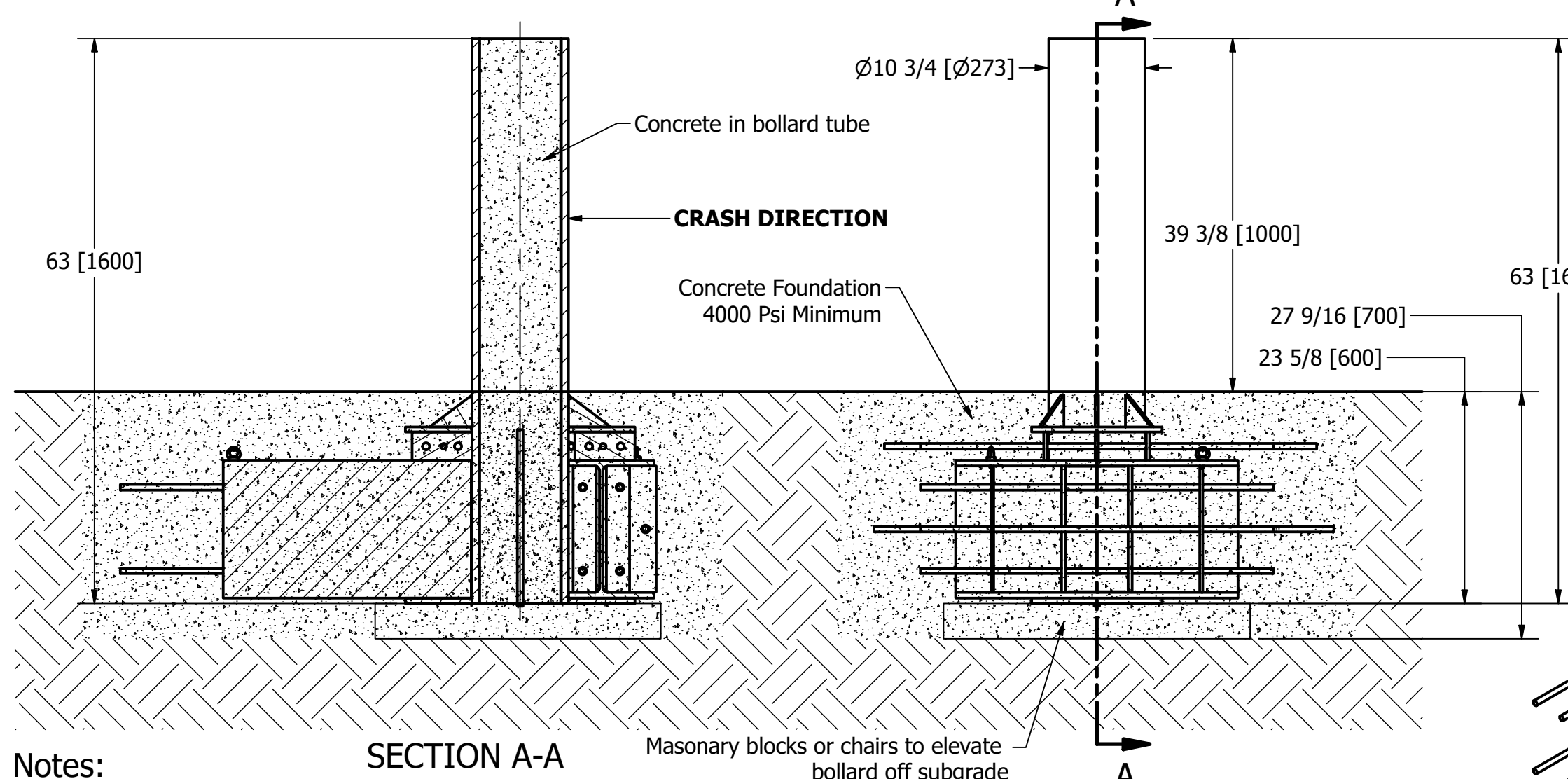
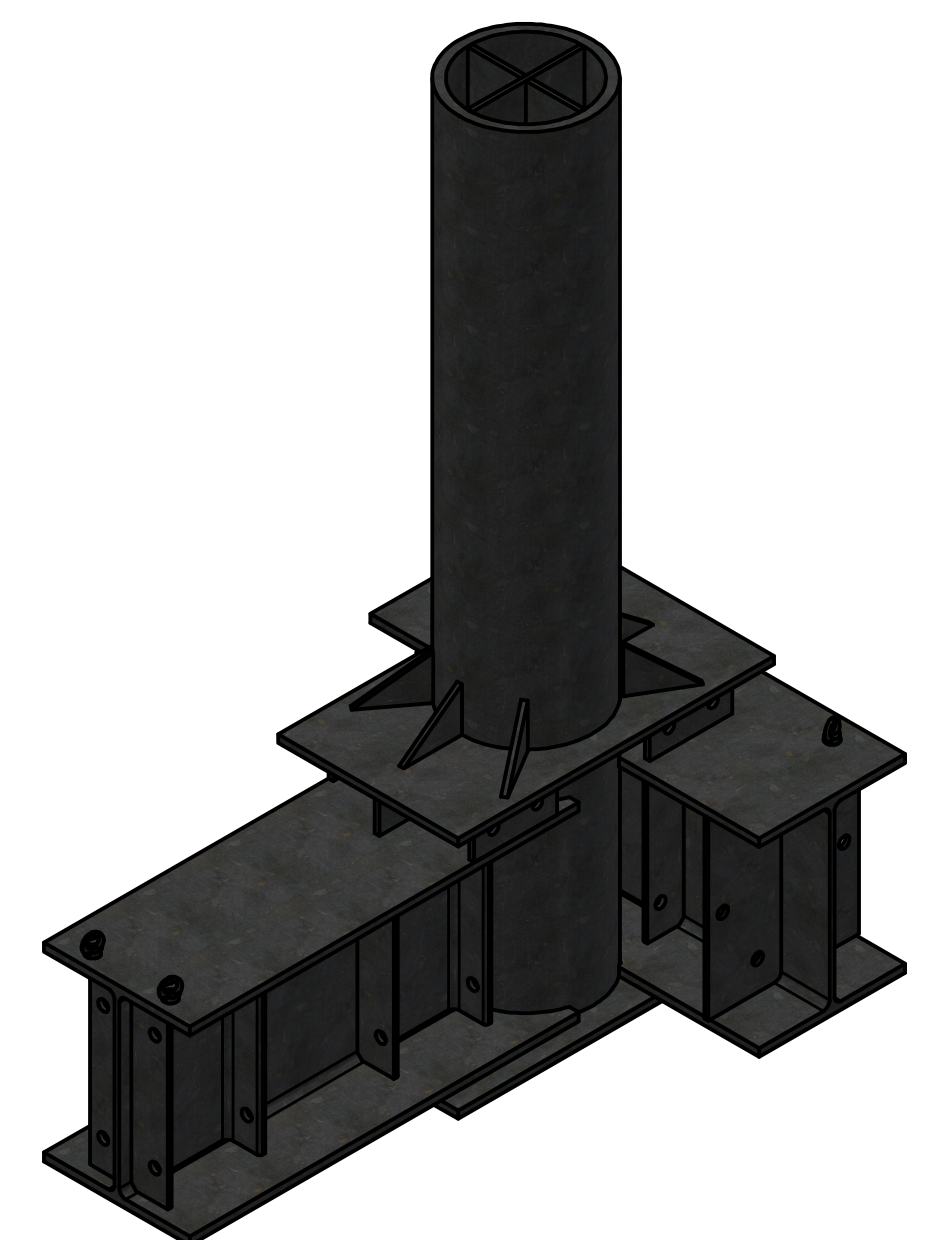
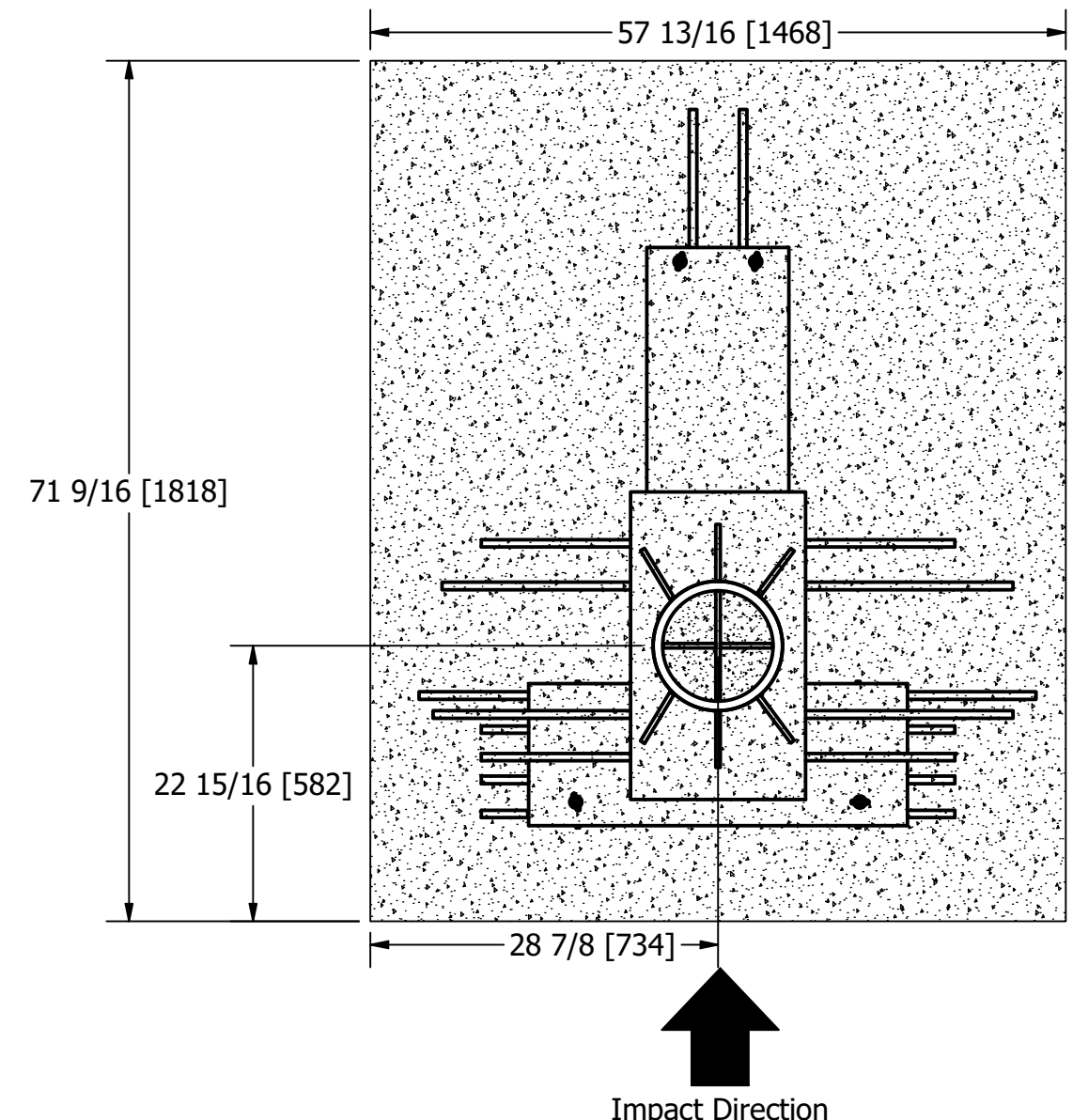
General Description:

R-1030-M30-SM crash-rated bollards will stop accidental or purposeful vehicle intrusion into sensitive areas. This anti-ram bollard is certified to ASTM F2656-20 M30 P1 with the capacity to stop a 15 000 lbm vehicle traveling at 30 mph. This model of crash-rated bollard is specifically designed for installation in shallow areas; only 28" of depth is needed. The bollards ship pre-assembled and are simple to install with some rebar (not included). Reliance Foundry also sells [decorative covers](#) to enhance aesthetics.

For more information on bollard post installation, please visit: www.reliance-foundry.com/bollard/installation-bollards

Specifications:

- Height (total): 63" [1600]
- Height above grade: 39 3/8" [1000]
- Height below grade: 23 5/8" [600]
- Length: 48" [1219]
- Width: 31 1/2" [800]
- Body Diameter: 10 3/4" [273]
- Weight: 1133 lbs [514 kg]
- Material: Steel



Notes:

- Embedment details are for reference illustration only. Minimum foundation sizes depend on local soil conditions, weather conditions, and engineering requirements.
- Bollard is provided as shown, with parts listed below. Concrete foundation and/or installation not provided by Reliance Foundry.
- This drawing is not drawn to scale. Dimensions provided herein is for reference only. Please consult Reliance Foundry sales professionals if any dimension is critical to your particular installation.
- Reliance Foundry reserves the right to amend design and specifications without prior notice for product improvement.

| PARTS LIST | | | | | |
|------------|-----|----------------|---|------------------|--|
| ITEM | QTY | PART NUMBER | DESCRIPTION | PCE WEIGHT (lbm) | |
| 1 | 1 | R--1030-M30-SM | Halvard R-1030-SM | 1 133 | |
| 2 | 10 | Rebar 16mm | Rebar 16mm OD, 1000mm Length | 3.4 | |
| 3 | 4 | Rebar 16mm | Rebar 16mm OD, 500mm Length | 1.7 | |
| - | - | Rebar 16mm | Additional 16mm OD and 10mm OD Rebar needed to reinforce concrete | - | |



Unit 207, 6450 - 148 Street, Surrey, BC V3S 7G7, Canada
 1-877-789-3245 info@reliance-foundry.com
www.reliance-foundry.com

TITLE
Halvard R-1030-M30-SM Crash Rated Bollard

| | | |
|-----------|-------------------------------|------------|
| SIZE C | DWG NO R1030-M30-SM_public | REV A04 |
|-----------|-------------------------------|------------|