

Halvard R-1030-M30 Crash Rated Bollard



General Description:

Reliance Foundry's Halvard M30 Crash-Rated Bollards protect pedestrian areas from vehicle intrusions. These ASTM F2656-20 M30 P1 certified, anti-ram bollards stop vehicles up to 15 000 lbm at 30 mph within 3.3 ft. With easy installation and pre-assembly, no welding or bolting is required. Enhance their look with decorative covers.

For more information on bollard post installation, please visit: www.reliance-foundry.com/bollard/installation-bollards

Specifications:

Total Height: 69 5/16" [1760]

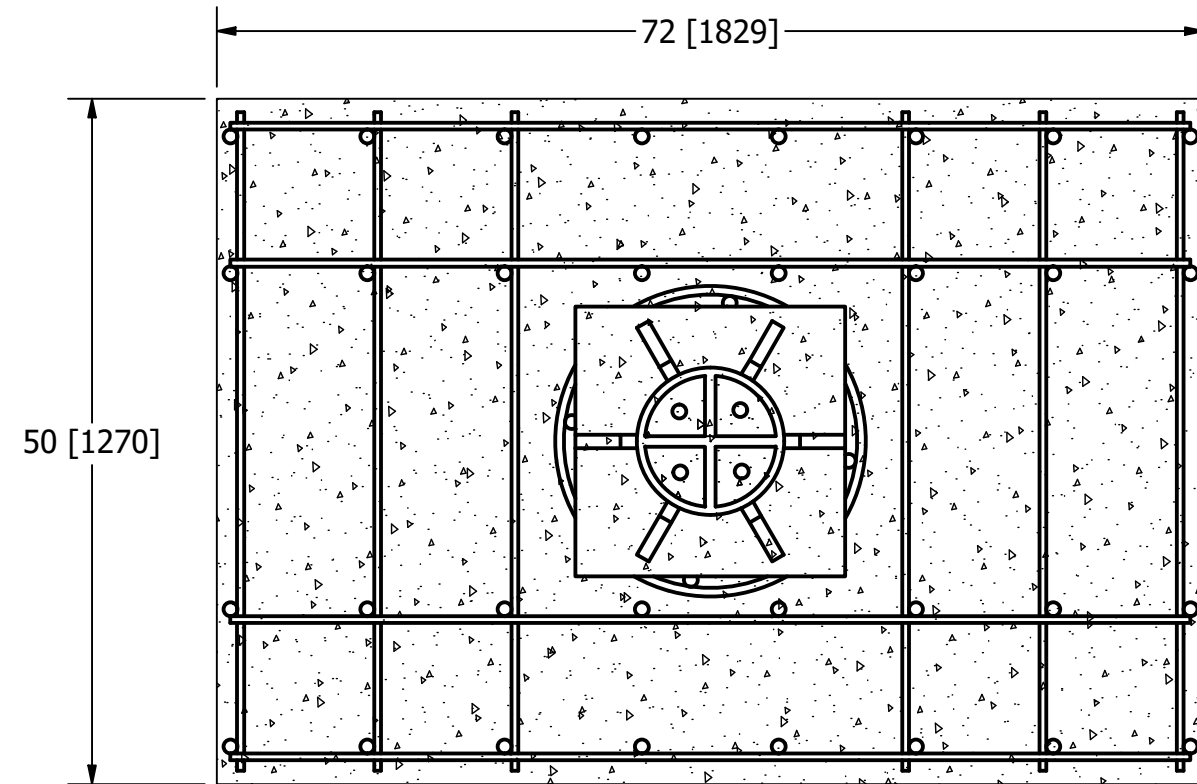
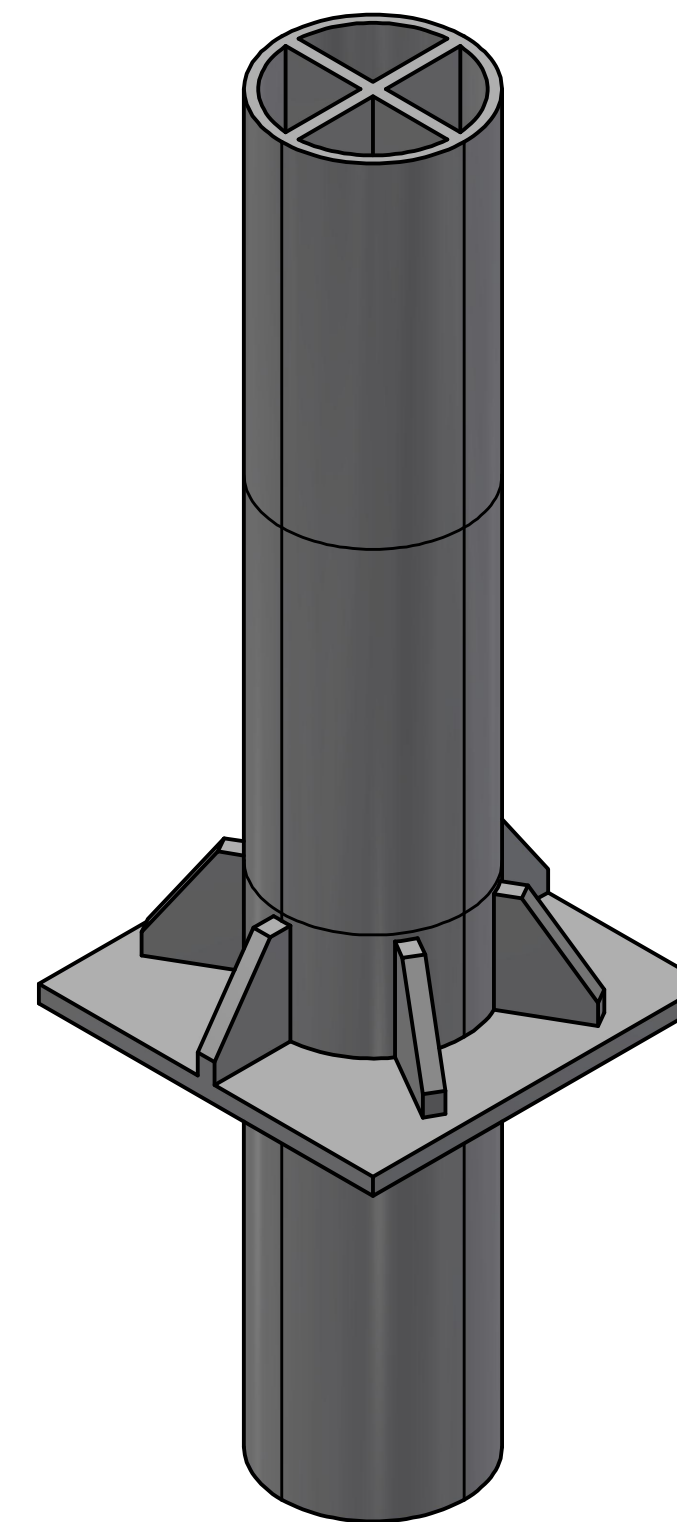
Height above grade: 39 3/4" [1010]

Height below grade: 29 1/2" [750]

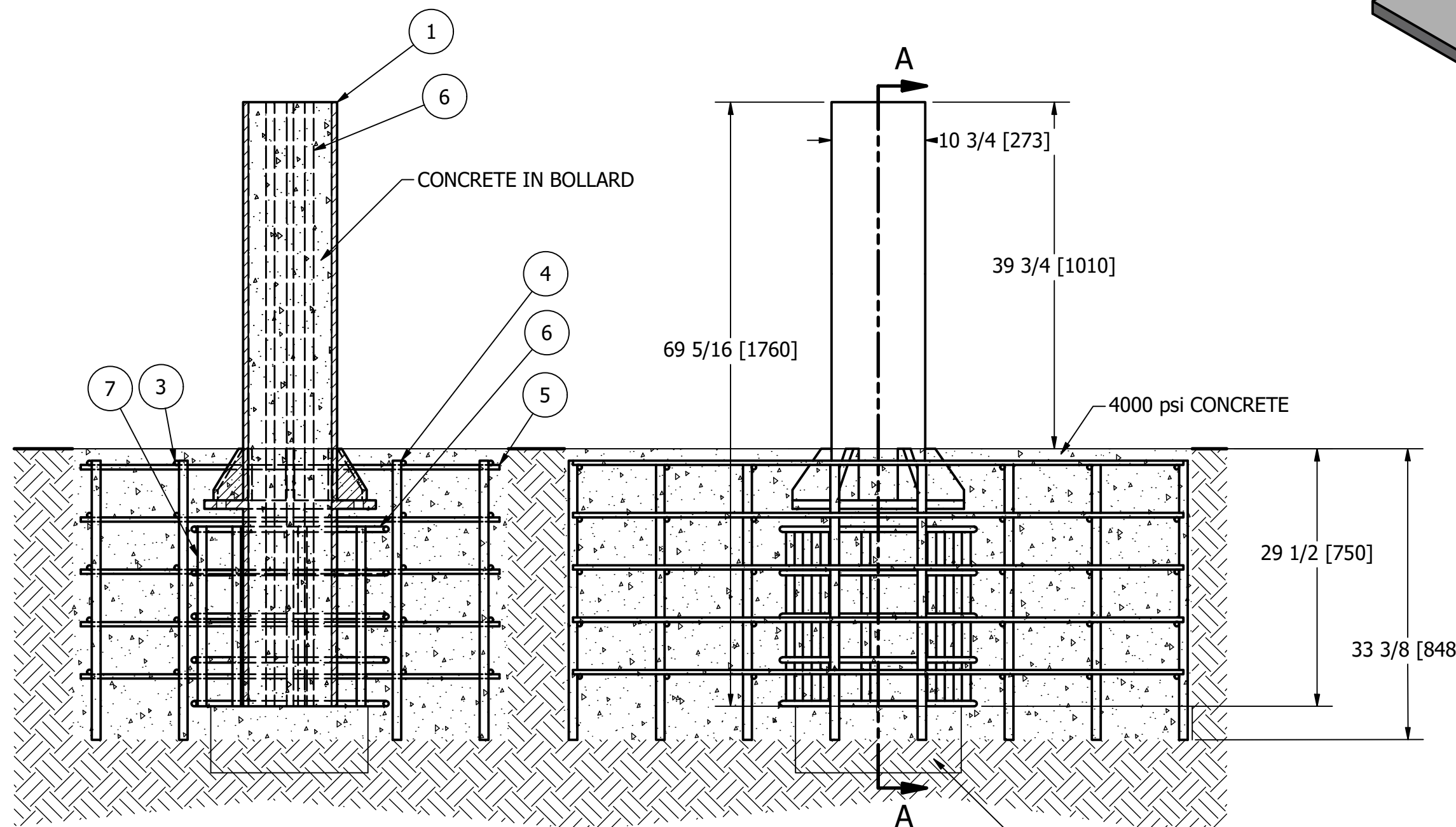
Body Diameter: 10 3/4" [273]

Weight: 755 lbs [343 kg]

Material: Steel



↑
IMPACT DIRECTION



SECTION A-A

Notes:

- Embedment details are for reference illustration only. Minimum foundation sizes depend on local soil conditions, weather conditions, and engineering requirements.
- Bollard is provided as shown, with parts listed below. Concrete foundation and/or installation not provided by Reliance Foundry.
- This drawing is not drawn to scale. Dimensions provided herein is for reference only. Please consult Reliance Foundry sales professionals if any dimension is critical to your particular installation.
- Reliance Foundry reserves the right to amend design and specifications without prior notice for product improvement.

PARTS LIST

ITEM	QTY	PART NUMBER	DESCRIPTION	WEIGHT (lbs)
1	1	R-1030-M30	Halvard R-1030-M30	755
2	5	Rebar Size#5	Rebar Size#5 - 21 3/8" ID Circular Tie (not included)	1.9
3	20	Rebar Size#4	Rebar Size#4 - 70" Length (not included)	3.9
4	32	Rebar Size#8	Rebar Size#8 - 32" Length (not included)	7.2
5	30	Rebar Size#4	Rebar Size#4 - 48" Length (not included)	2.7
6	8	Rebar Size#8	Rebar Size#8 - 20 5/8" Length (not included)	4.6
6	4	Rebar Size#8	Rebar Size#8 - 69 5/16" Length (included with bollard)	15.4

RELIANCE FOUNDRY
SINCE 1925

Unit 207, 6450 - 148 Street, Surrey, BC V3S 7G7, Canada
1-877-789-3245 info@reliance-foundry.com
www.reliance-foundry.com

TITLE
Halvard R-1030-M30 Crash Rated Bollard

SIZE C	DWG NO R-1030-M30_public	REV A07
-----------	-----------------------------	------------