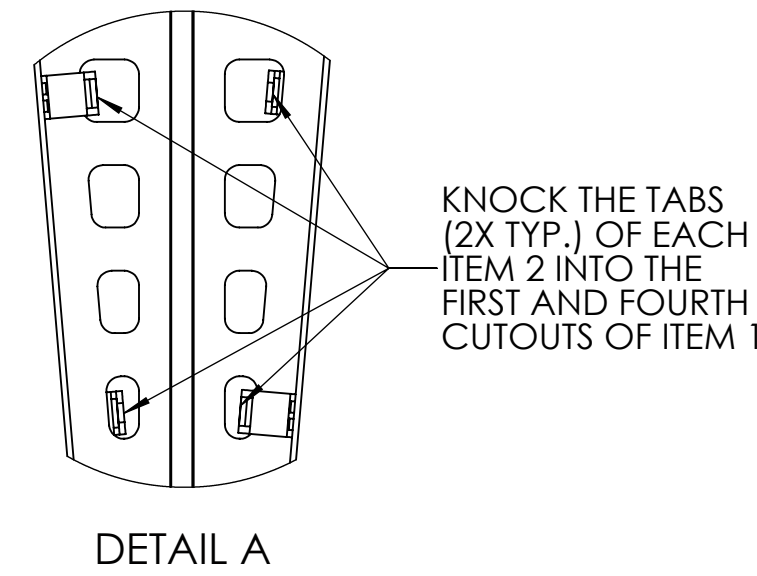
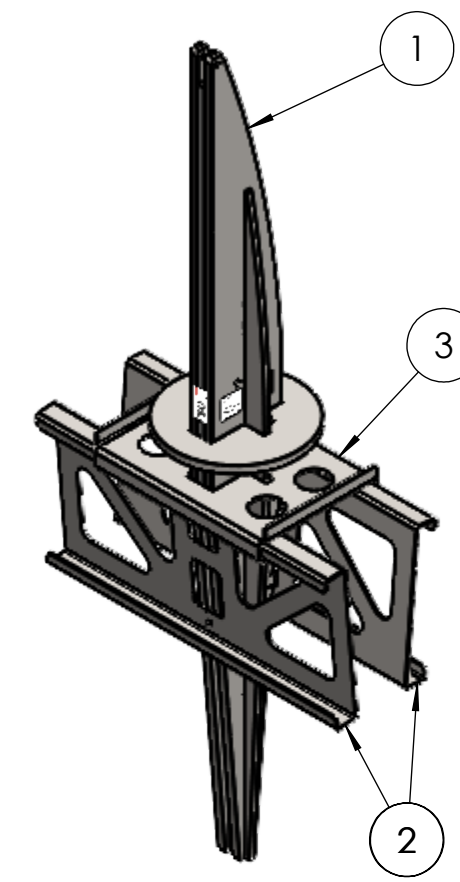
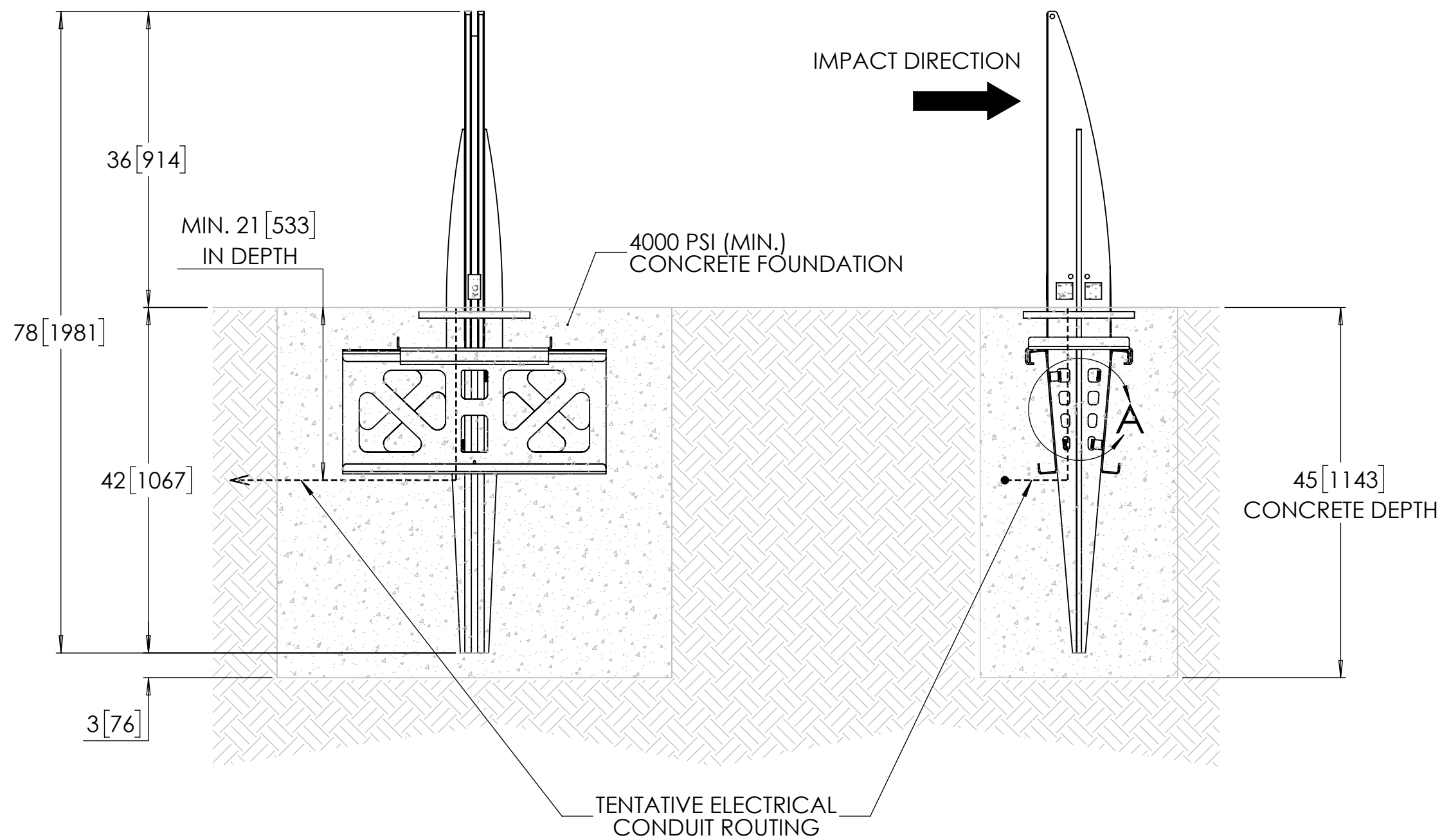
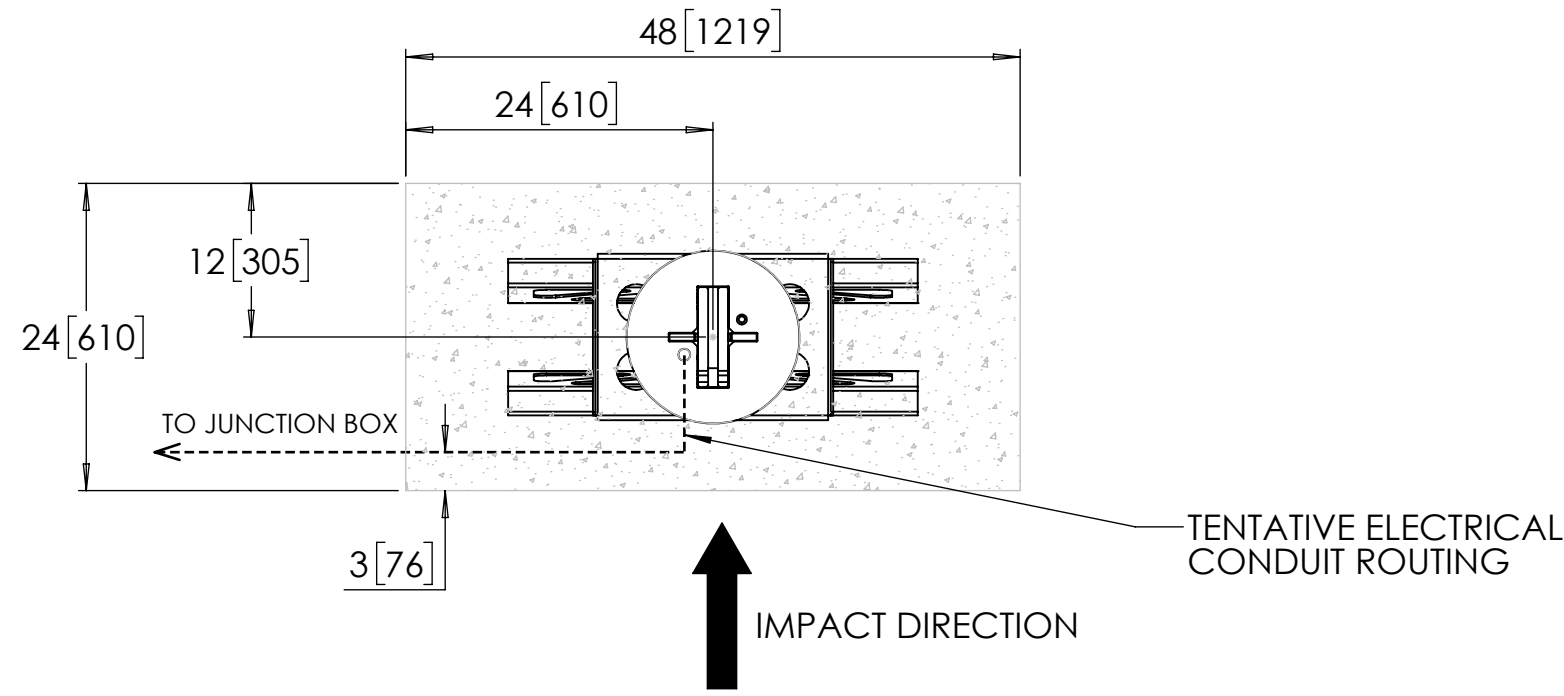


Crash-rated Bollard, Model R-1010-S30



General Description:

Engineered for superior resistance, the Vector S30 Bollard is our ultimate solution for storefront safety. Its advanced design, featuring a curved profile and side flanges, provides maximum strength and impact distribution. Like its counterparts, the Vector S30 Bollard is designed for easy, cost-effective installation, without the need for rebar. Successfully tested and certified to ASTM F3016 S30 P2 with a penetration distance of just 1.97 feet, the Vector S30 Bollard offers storefront owners unmatched protection against vehicle intrusions.

Specifications:

Total Height: 78" [1981 mm]
Height Above Grade: 36" [914 mm]
Height Below Grade: 42" [1067 mm]
Weight: 340 lbs [154 kg]
Material: Steel
Finish: Hot-dip Galvanised

For more information on bollard installation, please visit:
<https://www.reliance-foundry.com/bollard/vector-fixed-installation>



NOTES:

- EMBEDMENT DETAILS ARE FOR REFERENCE ILLUSTRATION ONLY. MINIMUM FOUNDATION SIZES DEPEND ON LOCAL SOIL CONDITIONS, WEATHER CONDITIONS, AND ENGINEERING REQUIREMENTS.
- BOLLARD IS PROVIDED AS SHOWN, WITH PARTS LISTED BELOW. CONCRETE FOUNDATION AND/OR INSTALLATION NOT PROVIDED BY RELIANCE FOUNDRY.
- THIS DRAWING IS NOT DRAWN TO SCALE. DIMENSIONS PROVIDED HEREIN IS FOR REFERENCE ONLY. PLEASE CONSULT RELIANCE FOUNDRY SALES PROFESSIONALS IF ANY DIMENSION IS CRITICAL TO YOUR PARTICULAR INSTALLATION.
- RELIANCE FOUNDRY RESERVES THE RIGHT TO AMEND DESIGN AND SPECIFICATIONS WITHOUT PRIOR NOTICE FOR PRODUCT IMPROVEMENT.

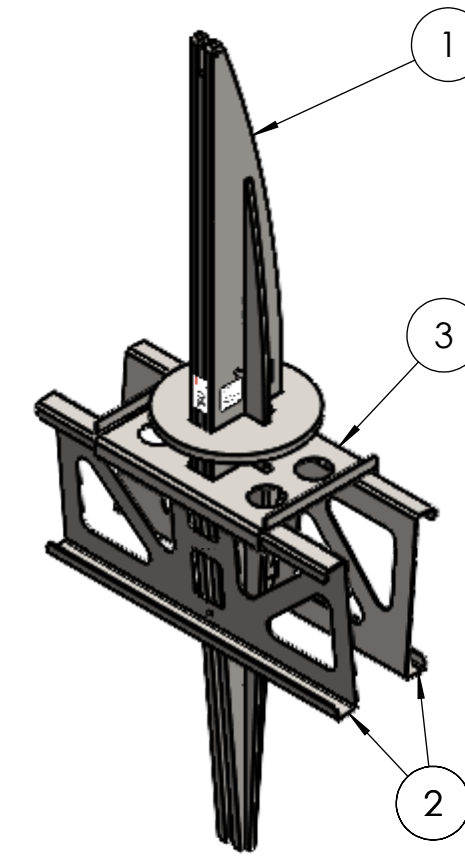
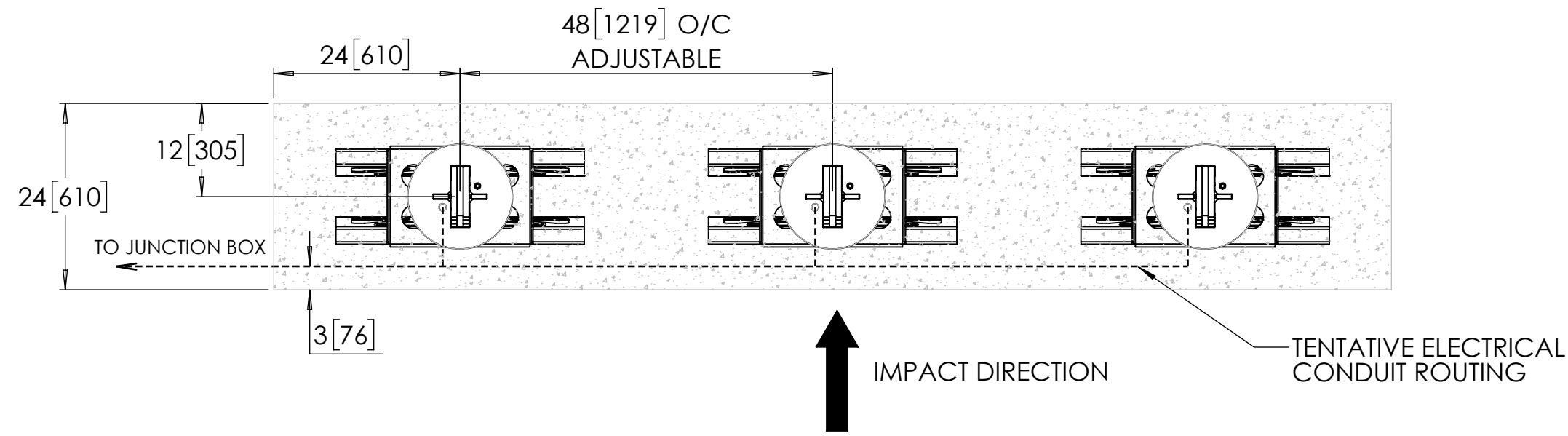
PARTS LIST					
ITEM	QTY	PART NUMBER	DESCRIPTION	MATERIAL	WEIGHT (LB)
1	1	250-0033-000	S30 FIXED BOLLARD ASSEMBLY	STEEL	278
2	2	100-0097-315	FOUNDATION REINFORCEMENT BRACKET	STEEL	22
3	1	100-0098-315	FOUNDATION REINFORCEMENT BRACKET - TOP	STEEL	17

RELIANCE FOUNDRY
SINCE 1925

Unit 207, 6450 - 148 Street, Surrey, BC V3S 7G7, Canada
1-877-789-3245 info@reliance-foundry.com
www.reliance-foundry.com

TITLE: S30 FIXED BOLLARD INSTALLATION					
	NAME	DATE	SIZE	DWG: 250-0033-01	REV
DRAWN	JF	2025-03-07	C	PART: 250-0033-000	01B
REVIEWED	JL	2025-03-10	SCALE: 1:15		SHEET 1 OF 2

Crash-rated Bollard, Model R-1010-S30



General Description:

Engineered for superior resistance, the Vector S30 Bollard is our ultimate solution for storefront safety. Its advanced design, featuring a curved profile and side flanges, provides maximum strength and impact distribution. Like its counterparts, the Vector S30 Bollard is designed for easy, cost-effective installation, without the need for rebar. Successfully tested and certified to ASTM F3016 S30 P2 with a penetration distance of just 1.97 feet, the Vector S30 Bollard offers storefront owners unmatched protection against vehicle intrusions.

Specifications:

Total Height: 78" [1981 mm]

Height Above Grade: 36" [914 mm]

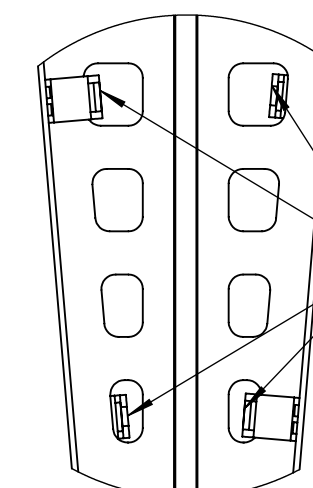
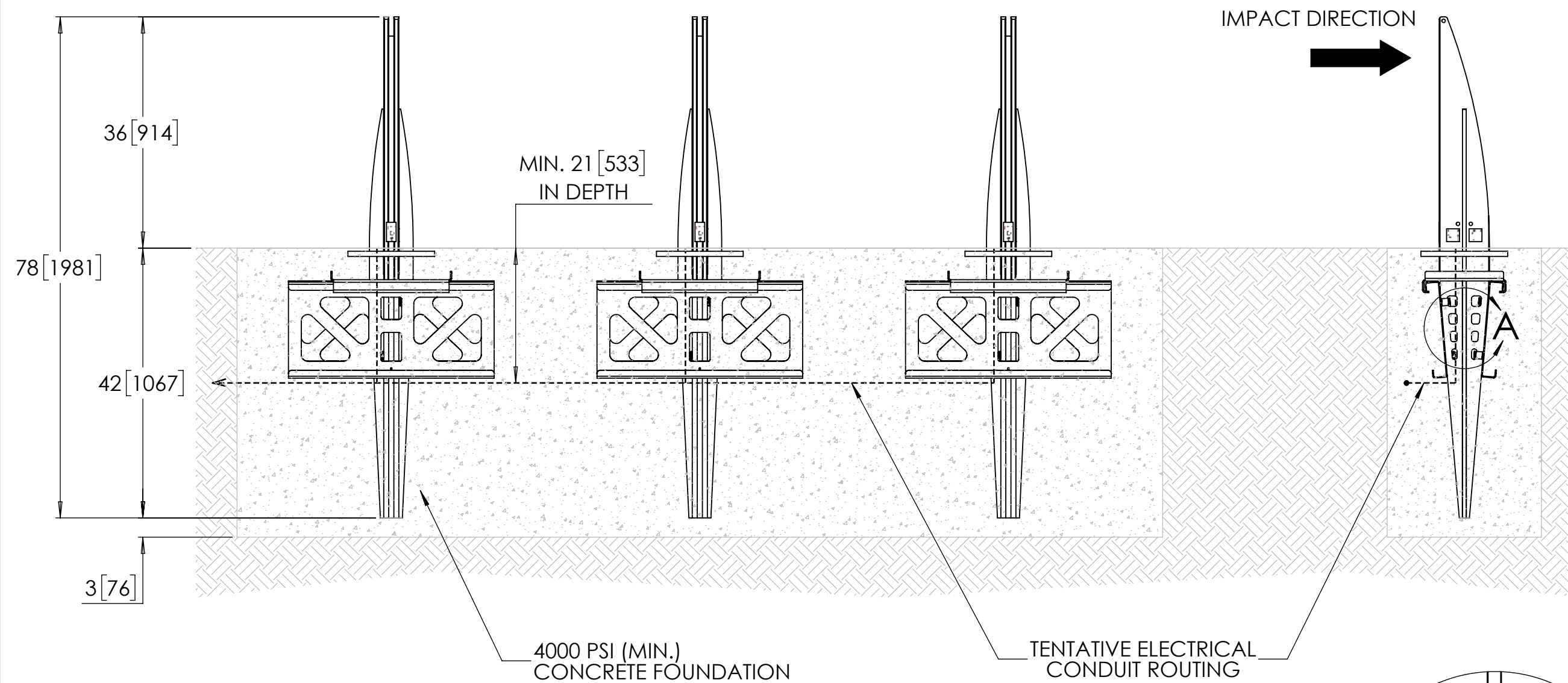
Height Below Grade: 42" [1067 mm]

Weight: 340 lbs [154 kg]

Material: Steel

Finish: Hot-dip Galvanised

For more information on bollard installation, please visit:
<https://www.reliance-foundry.com/bollard/vector-fixed-installation>



KNOCK THE TABS
(2X TYP.) OF EACH
ITEM 2 INTO THE
FIRST AND FOURTH
CUTOUTS OF ITEM 1



NOTES:

- EMBEDMENT DETAILS ARE FOR REFERENCE ILLUSTRATION ONLY. MINIMUM FOUNDATION SIZES DEPEND ON LOCAL SOIL CONDITIONS, WEATHER CONDITIONS, AND ENGINEERING REQUIREMENTS.
- BOLLARD IS PROVIDED AS SHOWN, WITH PARTS LISTED BELOW. CONCRETE FOUNDATION AND/OR INSTALLATION NOT PROVIDED BY RELIANCE FOUNDRY.
- THIS DRAWING IS NOT DRAWN TO SCALE. DIMENSIONS PROVIDED HEREIN IS FOR REFERENCE ONLY. PLEASE CONSULT RELIANCE FOUNDRY SALES PROFESSIONALS IF ANY DIMENSION IS CRITICAL TO YOUR PARTICULAR INSTALLATION.
- RELIANCE FOUNDRY RESERVES THE RIGHT TO AMEND DESIGN AND SPECIFICATIONS WITHOUT PRIOR NOTICE FOR PRODUCT IMPROVEMENT.

PARTS LIST					
ITEM	QTY	PART NUMBER	DESCRIPTION	MATERIAL	WEIGHT (LB)
1	3	250-0033-000	S30 FIXED BOLLARD ASSEMBLY	STEEL	278
2	6	100-0097-315	FOUNDATION REINFORCEMENT BRACKET	STEEL	22
3	3	100-0098-315	FOUNDATION REINFORCEMENT BRACKET - TOP	STEEL	17

RELIANCE FOUNDRY
SINCE 1925

Unit 207, 6450 - 148 Street, Surrey, BC V3S 7G7, Canada
1-877-789-3245 info@reliance-foundry.com
www.reliance-foundry.com

TITLE: S30 FIXED BOLLARD INSTALLATION					
	NAME	DATE	SIZE	DWG: 250-0033-01	REV
DRAWN	JF	2025-03-07	C	PART: 250-0033-000	01B
REVIEWED	JL	2025-03-10	SCALE: 1:18	ASM: 250-0033-000	SHEET 2 OF 2